

RQC/RTP SERIES

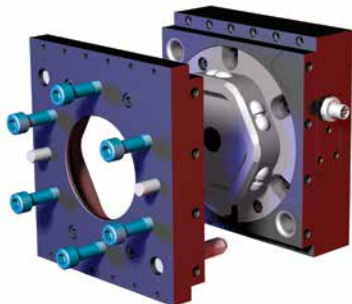
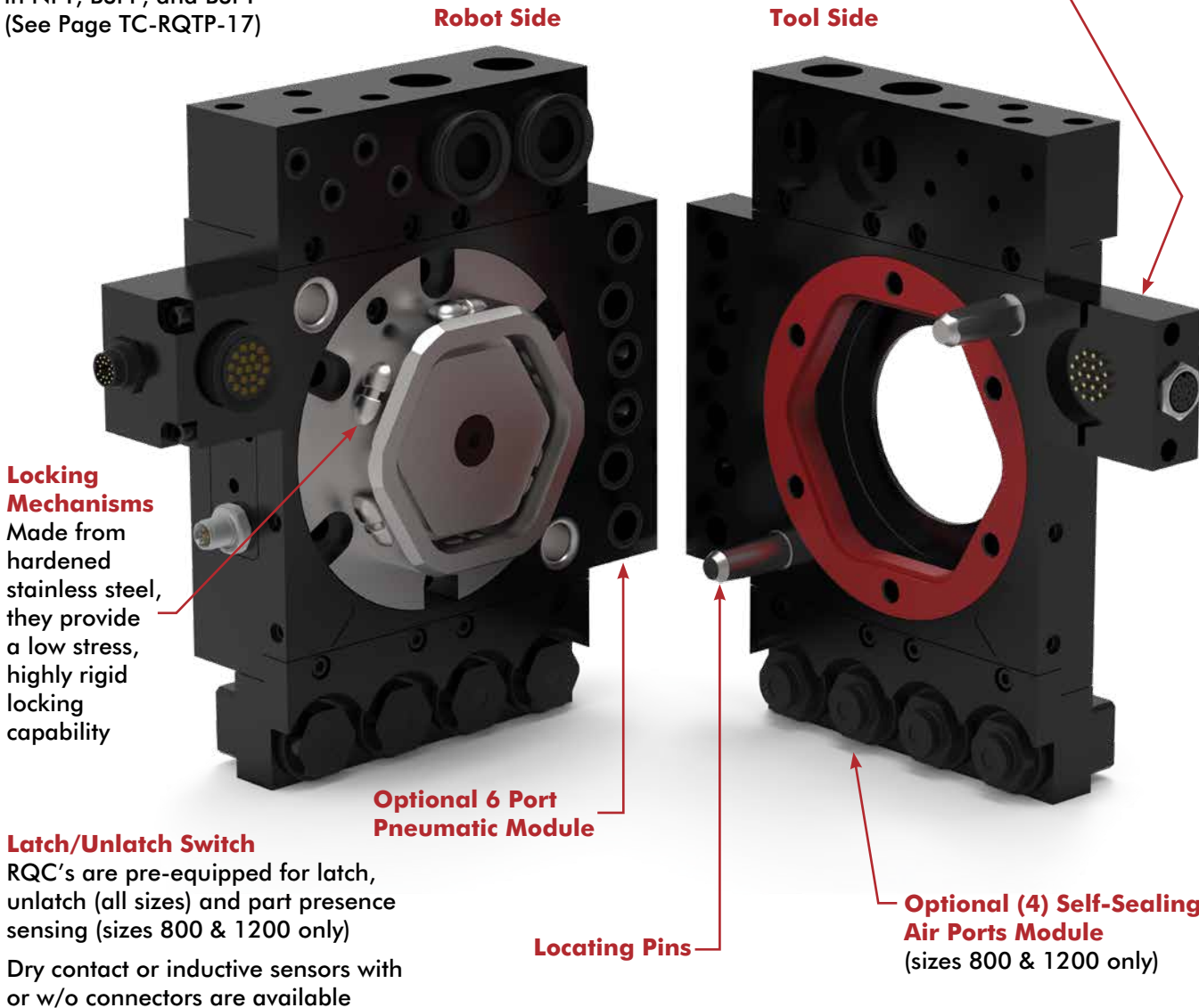
Automatic Tool Changers | Features and Benefits

Additional Optional Air, Fluid, Electrical Modules are Available.

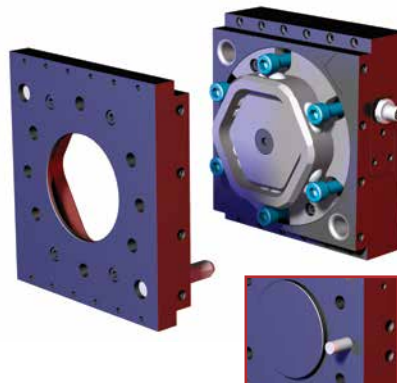
Air and fluid ports modules are available in NPT, BSPP, and BSPT (See Page TC-RQTP-17)

Optional 19 Pin I/O Module

Spring loaded contacts are recessed for a better protection
V-Seal provides moisture resistance



Tool Half Adaptor has tapped holes, two dowel pin holes for accurate location of payload, and features a ISO9409-1 mounting pattern



Robot Half Adaptor has counterbored holes for mounting with a dowel pin hole, a raised boss for location, and features a ISO9409-1 mounting pattern

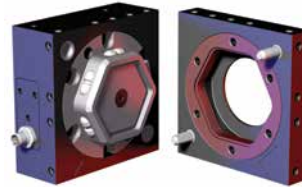
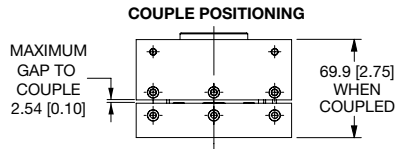
Back Side of Robot Half Adaptor

RQC/RTP SERIES

Automatic Tool Changers | Technical Information

RQC-200/RTP-200

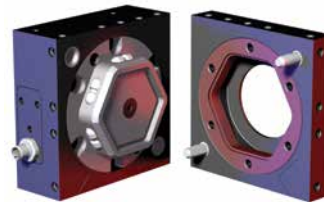
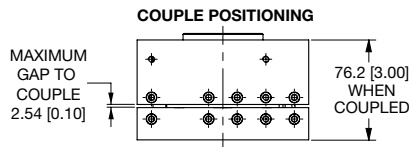
Combined Weight: 3 Kg [6.7 lb]
 Max. Payload: 90 Kg [200 lb]
 Max. Moment: 810 Nm [7200 in-lb]



RQC-200 Robot Adaptor Module **RTP-200** Tool Adaptor Module

RQC-400/RTP-400

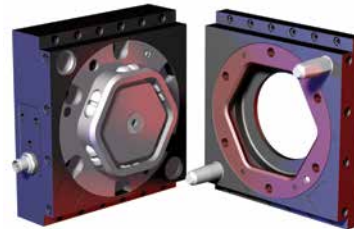
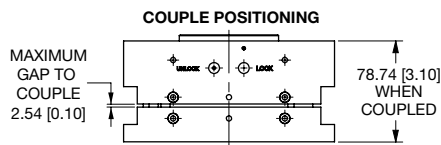
Combined Weight: 4.7 Kg [10.4 lb]
 Max. Payload: 180 Kg [400 lb]
 Max. Moment: 1580 Nm [14000 in-lb]



RQC-400 Robot Adaptor Module **RTP-400** Tool Adaptor Module

RQC-800/RTP-800

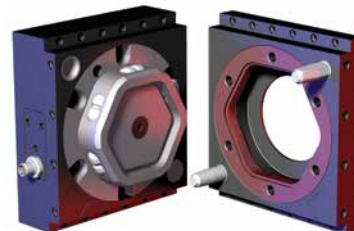
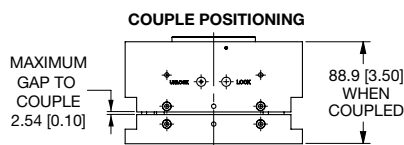
Combined Weight: 7.1 Kg [15.8 lb]
 Max. Payload: 360 Kg [800 lb]
 Max. Moment: 2490 Nm [22000 in-lb]



RQC-800 Robot Adaptor Module **RTP-800** Tool Adaptor Module

RQC-1200/RTP-1200

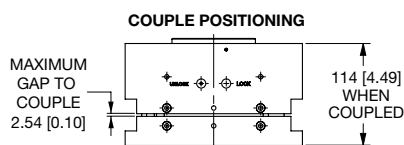
Combined Weight: 8.3 Kg [18.4 lb]
 Max. Payload: 550 Kg [1200 lb]
 Max. Moment: 3390 Nm [30000 in-lb]



RQC-1200 Robot Adaptor Module **RTP-1200** Tool Adaptor Module

RQC-2400/RTP-2400

Combined Weight: 30 Kg [66.1 lb]
 Max. Payload: 1089 Kg [2400 lb]
 Max. Moment: 7000 Nm [61955 in-lb]



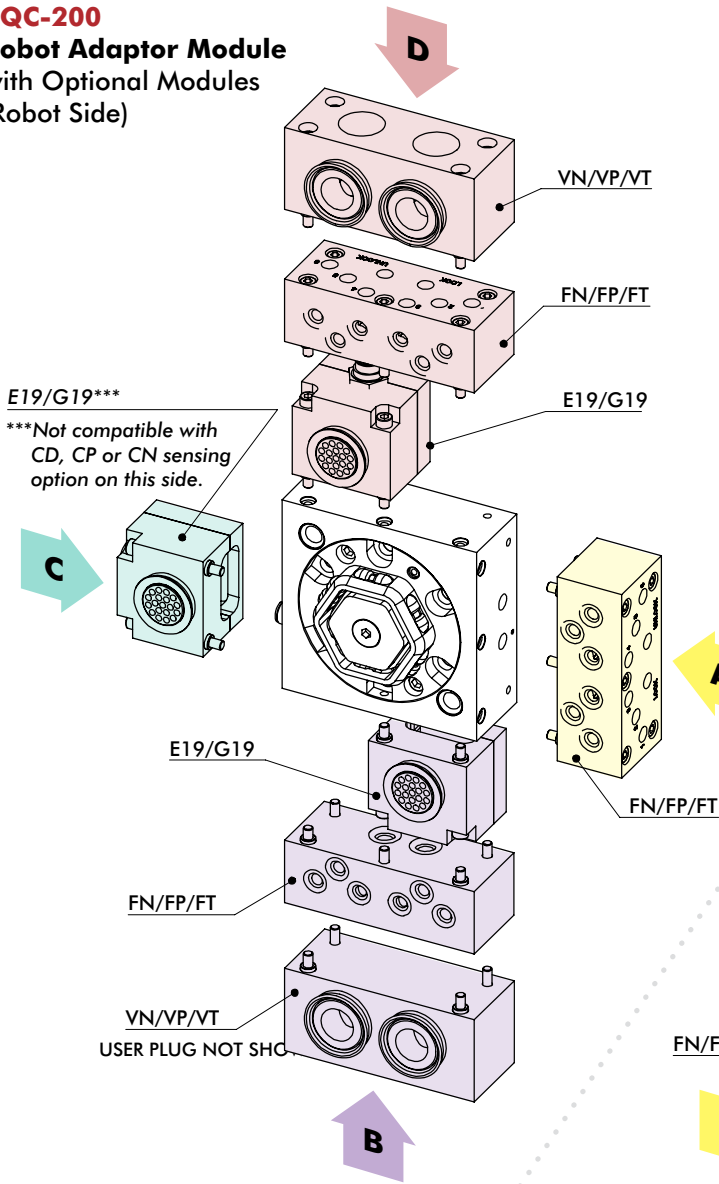
RQC-2400 Robot Adaptor Module **RTP-2400** Tool Adaptor Module

RQC-200/RTP-200

Automatic Tool Changers | Module Usage Illustrations

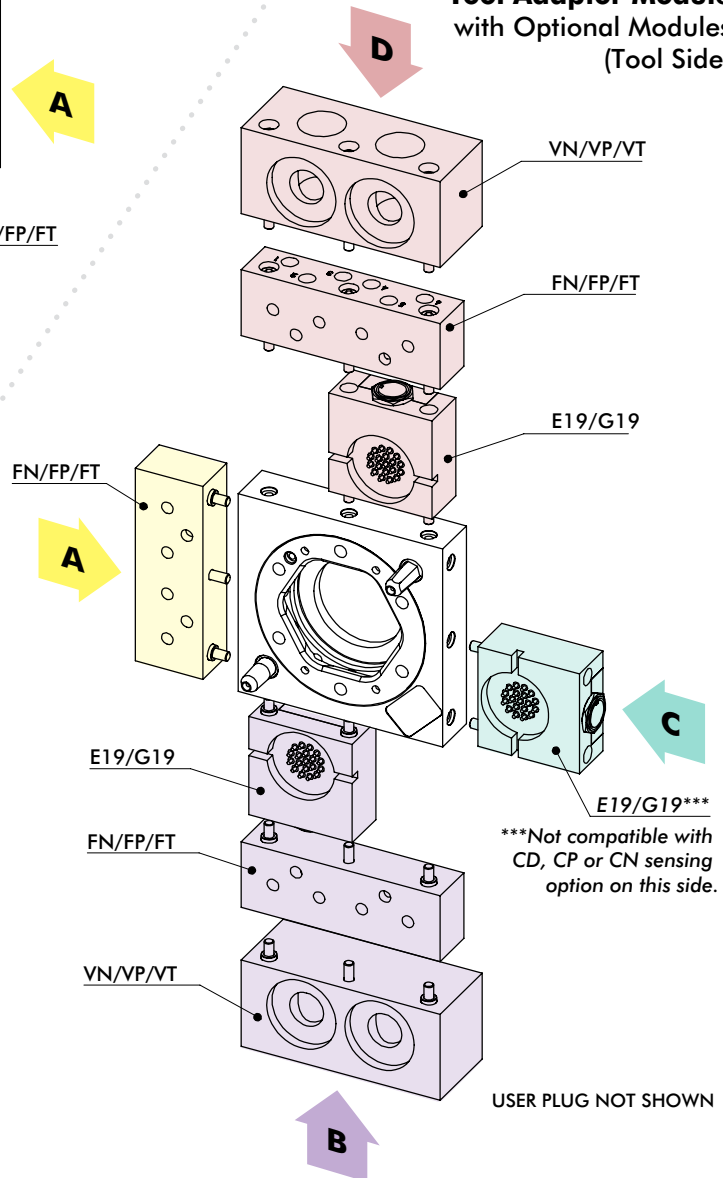
RQC-200

Robot Adaptor Module
with Optional Modules
(Robot Side)



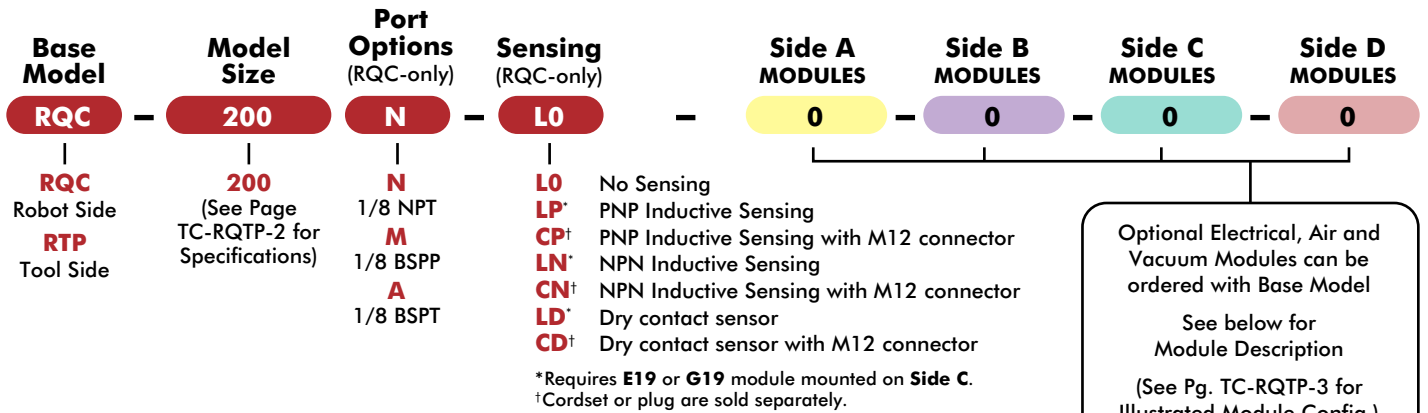
RTP-200

Tool Adaptor Module
with Optional Modules
(Tool Side)



RQC-200/RTP-200

Automatic Tool Changers | Ordering Information



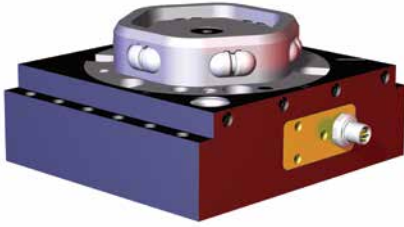
Side A	Side B	Side C	Side D	Order Code	Optional Modules
●	●	●	●	0	No Module
	●	●***	●	E19†***	19 pin, 3 Amp, 48 VDC Module w/Turck M12 Conn, w/o Cordset
	●	●***	●	G19†***	19 pin, 5 Amp, 120 VDC Module w/Industrial User Conn., w/o Cable
●	●		●	FN	6X 1/8" NPT Air Ports Module, Face Seal, 10 Bar
●	●		●	FP	6X 1/8" BSPP Air Ports Module, Face Seal, 10 Bar
●	●		●	FT	6X 1/8" BSPT Air Ports Module, Face Seal, 10 Bar
	●		●	VN	2X 3/4" Vacuum + 4 X 1/4" Air NPT Ports Module, Face Sealing
	●		●	VP	2X 3/4" Vacuum + 4 X 1/4" Air BSPP Ports Module, Face Sealing
	●		●	VT	2X 3/4" Vacuum + 4 X 1/4" Air BSPT Ports Module, Face Sealing

†Cordset or plug are sold separately. ***Not compatible with CD, CP or CN sensing option on Side C.

NOTE: Only (1) module can be mounted per side. Modules usage is based on the size of the Base Model and which side the module can be mounted.

RQC-200 (ROBOT SIDE)

Automatic Tool Changers | Technical Specifications | Dimensions



Specification:

Max. Payload **W**: 90 Kg [200 lb]

Weight: 2 Kg [4.41 lb]

Cylinder Bore: $\varnothing 53\text{mm}$ [2.09in]

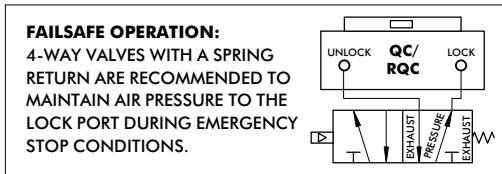
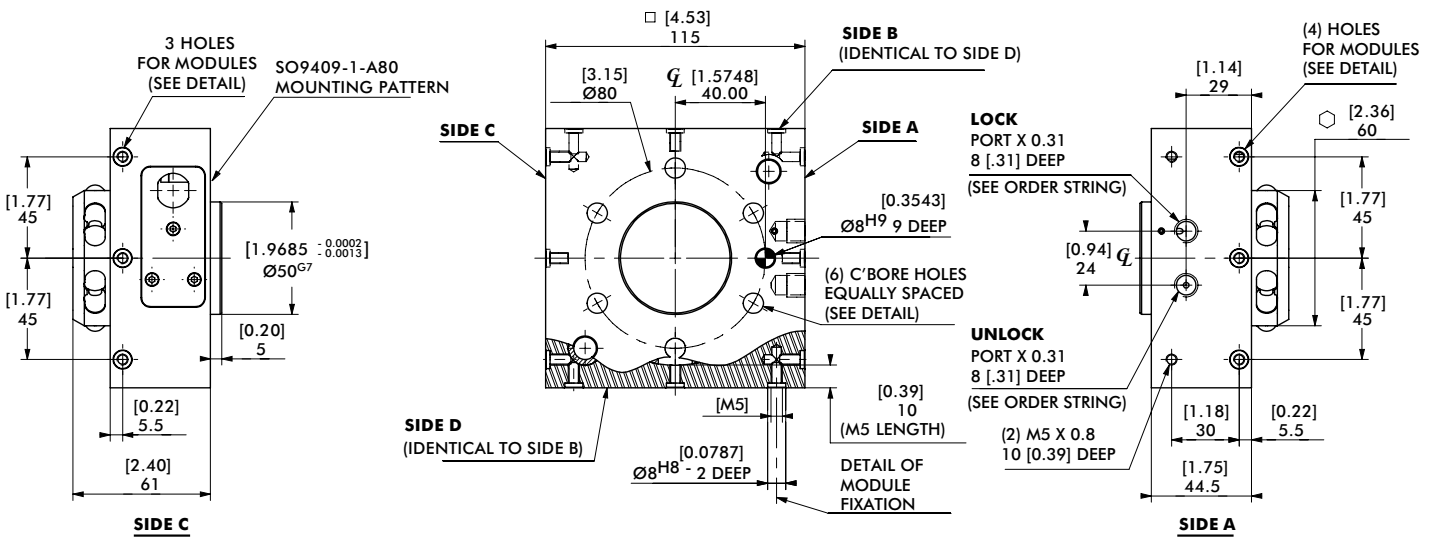
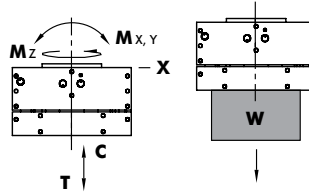
Displacement: 41.3 cm³ [2.52in³]

Loading Capacity:

Max. Tensile **T**: 1330 N [300 lb]

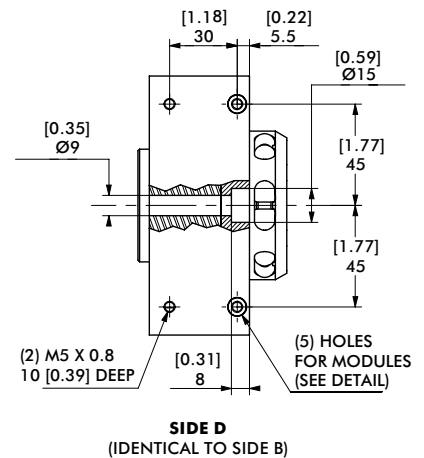
Max. Compressive **C**: 1780 N [400 lb]

Max. Moment (**M_x/M_y/M_z**): 810 Nm [7200 in-lb]



UNLESS OTHERWISE NOTED ALL TOLERANCES ARE AS SHOWN BELOW

				IMPERIAL ([IN.])	METRIC (MM)
DIMENSIONS ARE SYMMETRICAL ABOUT CENTERLINE	THIRD ANGLE PROJECTION	ALL DOWEL HOLES ARE SF (SLIP FIT). LOCATIONAL TOLERANCE ±.0005" OR [±.013MM]	METRIC THREADS COURSE PITCH	0.00 = ±.01 0.000 = ±.005 0.0000 = ±.0005	[0] = [±.25] [0.0] = [±.13] [0.00] = [±.013]



RTP-200 (TOOLING SIDE)

Automatic Tool Changers | Technical Specifications | Dimensions

Specification:

Max. Payload **W**: 180 Kg [400 lb]

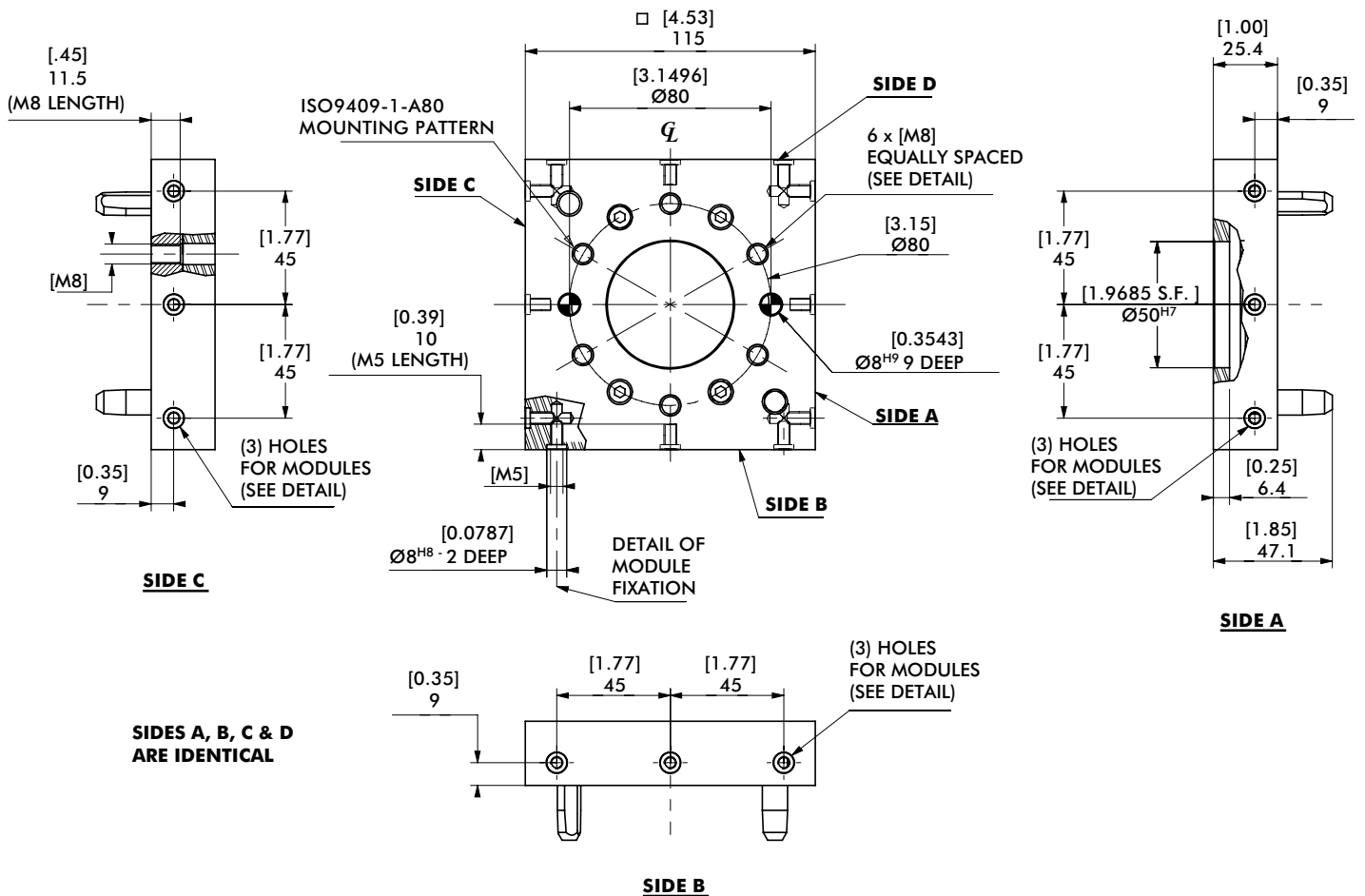
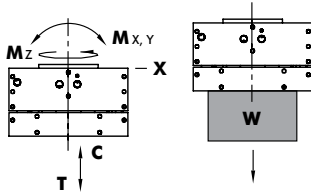
Weight: 1 Kg [2.2 lb]

Loading Capacity:

Max. Tensile **T**: 1330 N [300 lb]

Max. Compressive **C**: 1780 N [400 lb]

Max. Moment (**M_x/M_y/M_z**): 810 Nm [7200 in-lb]



UNLESS OTHERWISE NOTED ALL TOLERANCES ARE AS SHOWN BELOW

\varnothing
DIMENSIONS ARE SYMMETRICAL ABOUT CENTERLINE

\triangle
THIRD ANGLE PROJECTION

\oplus
ALL DOWEL HOLES ARE SF (SLIP FIT). LOCAL TOLERANCE ±.0005" OR [±.013MM]

M
METRIC THREADS COURSE PITCH

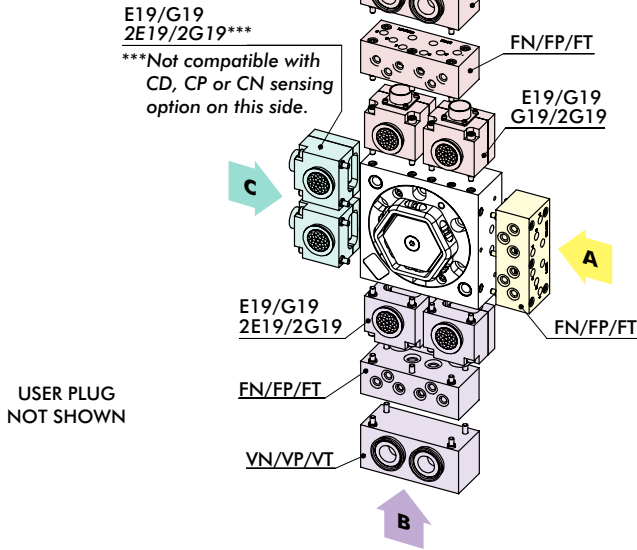
IMPERIAL ([IN.])
0.00 = ±.01
0.000 = ±.005
0.0000 = ±.0005

METRIC (MM)
[0] = [±.25]
[0.0] = [±.13]
[0.00] = [±.013]

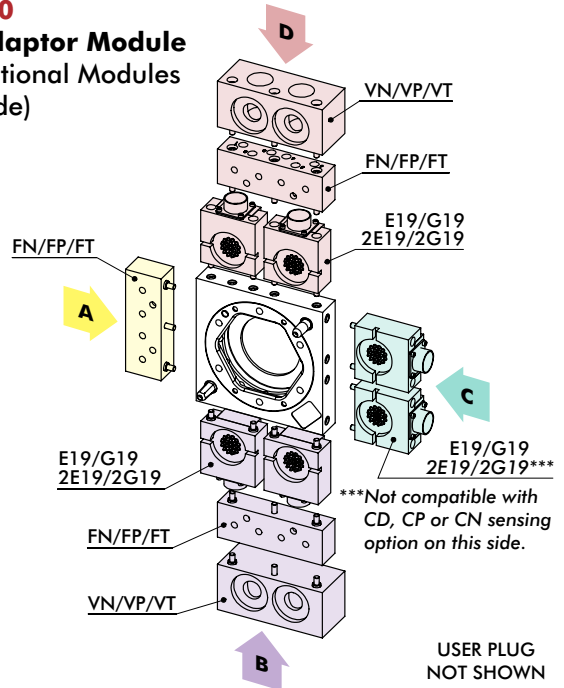
RQC-400, 800, 1200/RTP-400, 800, 1200

Automatic Tool Changers | Module Usage Illustrations

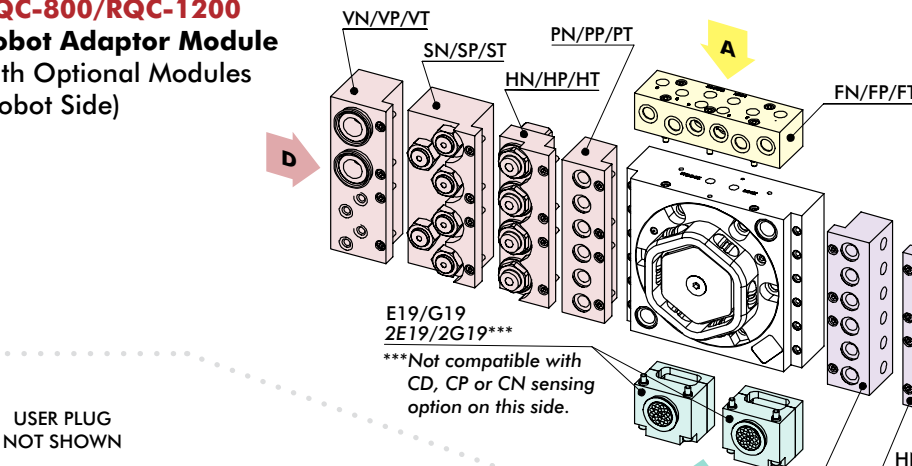
RQC-400 Robot Adaptor Module with Optional Modules (Robot Side)



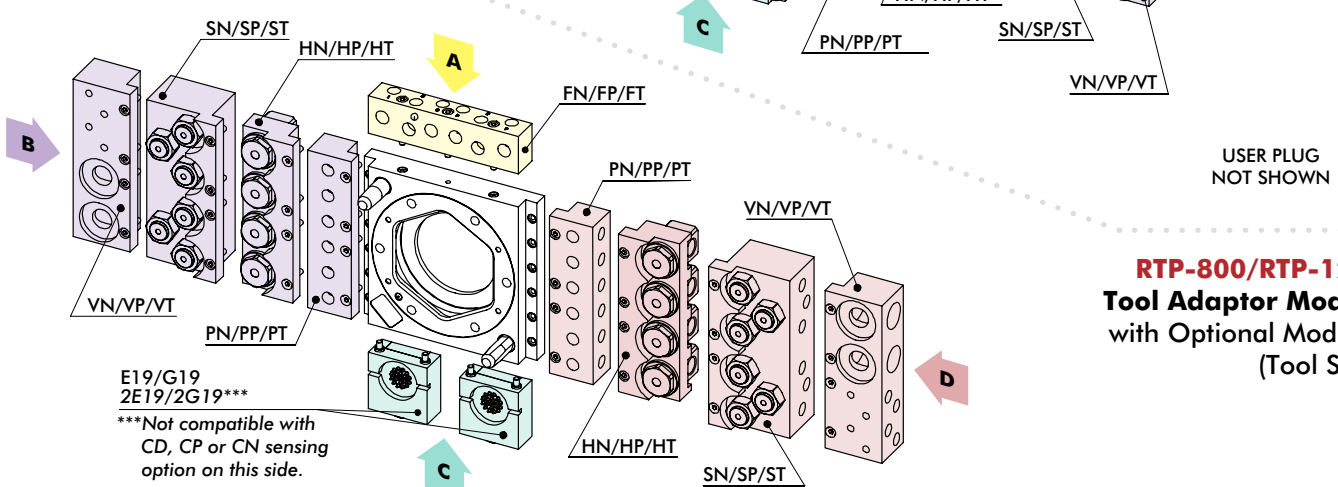
RTP-400 Tool Adaptor Module with Optional Modules (Tool Side)



RQC-800/RQC-1200 Robot Adaptor Module with Optional Modules (Robot Side)



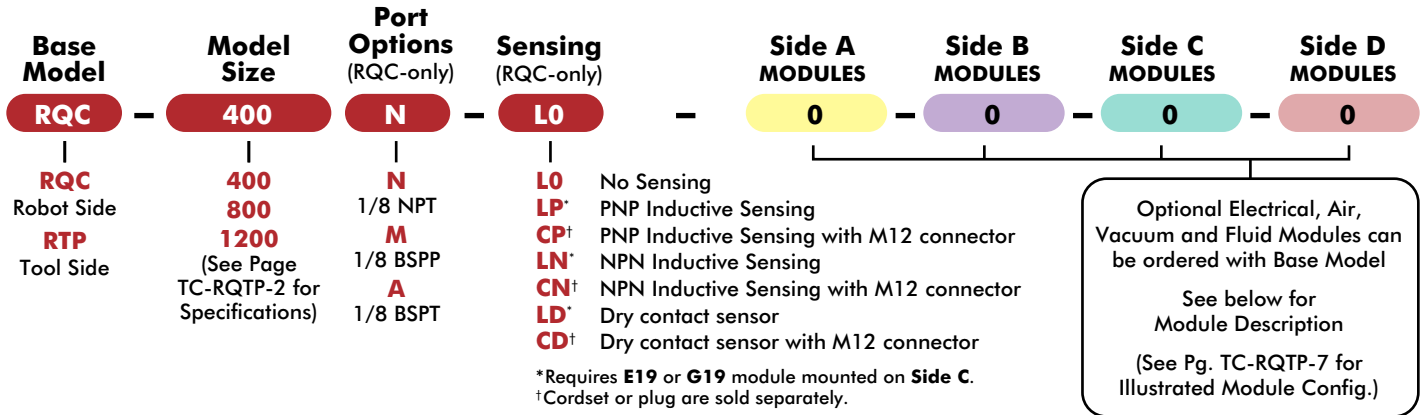
NOTE: Only (1) module can be mounted per side (except 2E19, 2G19 which are composed of (2) modules)



RTP-800/RTP-1200 Tool Adaptor Module with Optional Modules (Tool Side)

RQC-400, 800, 1200/RTP-400, 800, 1200

Automatic Tool Changers | Ordering Information



400	800/1200	Side A	Side B	Side C	Side D	Order Code	Optional Modules
●	●	●	●	●	●	0	No Module
	●			●		E19†	19 pin, 3 Amp, 48 VDC Module w/Turck M12 Conn, w/o Cordset
	●			●***		2E19***	2X 19 pin, 3 Amp, 48 VDC Module w/Turck M12 Conn, w/o Cordset
	●			●		G19	19 pin, 5 Amp, 120 VDC Module w/Industrial User Conn., w/o Cable
	●			●***		2G19***	2X 19 pin, 5 Amp, 120 VDC Module w/Industrial User Conn., w/o Cable
●			●	●	●	E19†	19 pin, 3 Amp, 48 VDC Module w/Turck M12 Conn, w/o Cordset
●			●	●***	●	2E19***	2X 19 pin, 3 Amp, 48 VDC Module w/Turck M12 Conn, w/o Cordset
●			●	●	●	G19	19 pin, 5 Amp, 120 VDC Module w/Industrial User Conn., w/o Cable
●			●	●***	●	2G19***	2X 19 pin, 5 Amp, 120 VDC Module w/Industrial User Conn., w/o Cable
●		●	●		●	FN	6X 1/8" NPT Air Ports Module, Face Seal, 10 Bar
●		●	●		●	FP	6X 1/8" BSPP Air Ports Module, Face Seal, 10 Bar
●		●	●		●	FT	6X 1/8" BSPT Air Ports Module, Face Seal, 10 Bar
	●	●			●	FN	6X 1/4" NPT Air Ports Module, Face Seal, 10 Bar
	●	●			●	FP	6X 1/4" BSPP Air Ports Module, Face Seal, 10 Bar
	●	●			●	FT	6X 1/4" BSPT Air Ports Module, Face Seal, 10 Bar
	●		●		●	PN	6X 1/4" NPT Air Ports Module, Face Seal, 10 Bar
	●		●		●	PP	6X 1/4" BSPP Air Ports Module, Face Seal, 10 Bar
	●		●		●	PT	6X 1/4" BSPT Air Ports Module, Face Seal, 10 Bar
	●		●		●	SN	6X 1/4" NPT Air Ports Module, Self Sealing, 10 Bar
	●		●		●	SP	6X 1/4" BSPP Air Ports Module, Self Sealing, 10 Bar
	●		●		●	ST	6X 1/4" BSPT Air Ports Module, Self Sealing, 10 Bar
●			●		●	VN	2X 3/4" Vacuum + 4 X 1/4" Air NPT Ports Module, Face Sealing
●			●		●	VP	2X 3/4" Vacuum + 4 X 1/4" Air BSPP Ports Module, Face Sealing
●			●		●	VT	2X 3/4" Vacuum + 4 X 1/4" Air BSPT Ports Module, Face Sealing
	●		●		●	HN	4X 3/8" NPT Fluid Ports Module, 100 Bar
	●		●		●	HP	4X 3/8" BSPP Fluid Ports Module, 100 Bar
	●		●		●	HT	4X 3/8" BSPT Fluid Ports Module, 100 Bar

†Cordset or plug are sold separately. ***Not compatible with CD, CP or CN sensing option on Side C.

NOTE: Only (1) module can be mounted per side. (Except 2E19 and 2G19, which are composed of (2) modules).
Modules usage is based on the size of the Base Model and which side the module can be mounted.

Electrical and pneumatic accessories are ordered separately.

Please note some electrical accessories can only be used with certain modules for either RQC or RTP "Base Models".

For pneumatic accessories, size of "Base Model" is considered.

ELECTRICAL ACCESSORIES

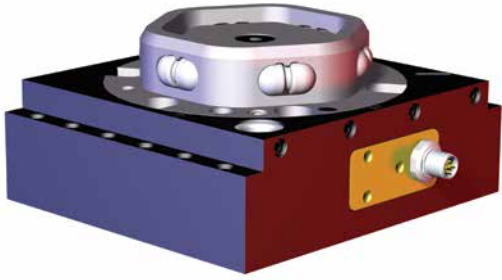
- ELCT-048** 90° Female Plug, w/o Cable, Solder Type, Cable Clamp for G19 (RQC Only)
- ELCT-049** 90° male Plug, w/o Cable, Solder Type, Cable Clamp for G19 (RTP Only)
- CABL-028** 90° Female M12 Cordset with 2M Cable for CP, CN, and CD (RQC Only)
- CABL-029** 90° Female Cordset with 4M Cable for E19 (RQC Only)
- CABL-031** 90° male Cordset with 2M Cable for E19 (RTP Only)
- OSRK-004** PNP Inductive Sensor Repair Kit (RQC Only)
- OSRK-005** NPN Inductive Sensor Repair Kit (RQC Only)
- OSRK-006** Dry Contact Sensor Repair Kit (RQC Only)

PNEUMATIC ACCESSORIES

- SLKT-402** RQC-400 Standard Seal Repair Kit
- SLKT-403** RQC-800 Standard Seal Repair Kit
- SLKT-404** RQC-1200 Standard Seal Repair Kit

RQC-400 (ROBOT SIDE)

Automatic Tool Changers | Technical Specifications | Dimensions



Specification:

Max. Payload **W**: 180 Kg [400 lb]

Weight: 3.6 Kg [7.94 lb]

Cylinder Bore: $\varnothing 73\text{mm}$ [2.87in]

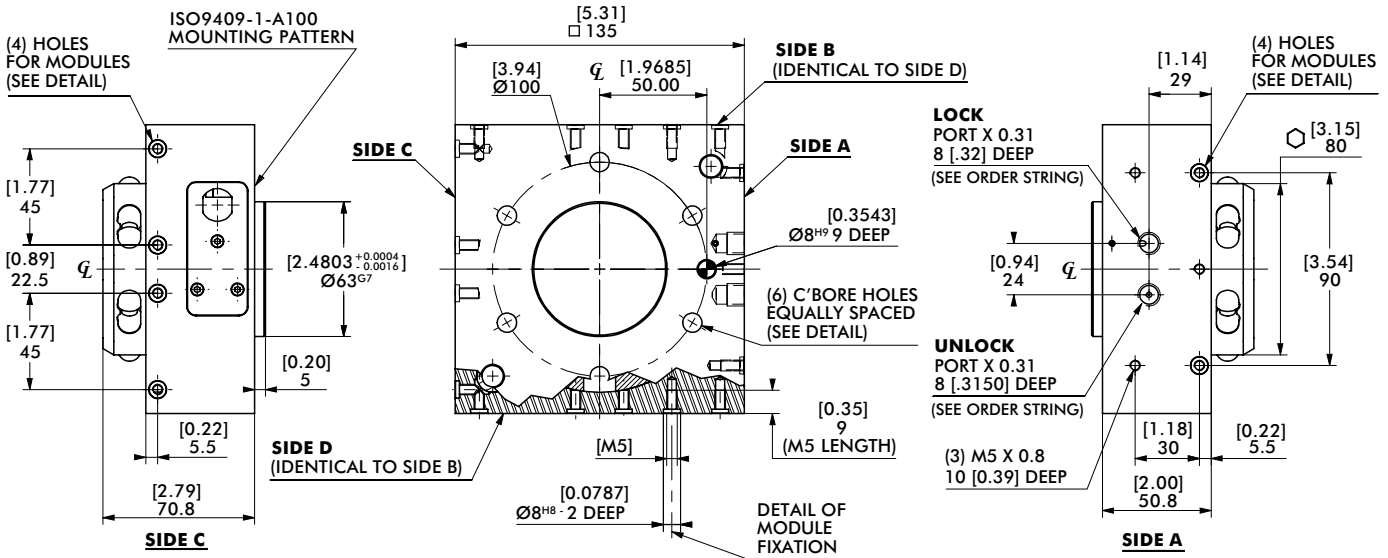
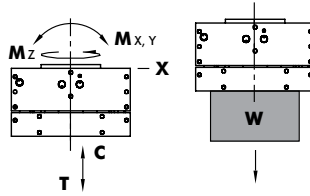
Displacement: 80.9 cm³ [4.93in³]

Loading Capacity:

Max. Tensile **T**: 2670 N [600 lb]

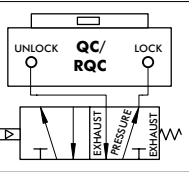
Max. Compressive **C**: 3560 N [800 lb]

Max. Moment (**M_x/M_y/M_z**): 1580 Nm [14000 in-lb]



FAILSAFE OPERATION:

4-WAY VALVES WITH A SPRING RETURN ARE RECOMMENDED TO MAINTAIN AIR PRESSURE TO THE LOCK PORT DURING EMERGENCY STOP CONDITIONS.



UNLESS OTHERWISE NOTED ALL TOLERANCES ARE AS SHOWN BELOW

\varnothing
DIMENSIONS ARE SYMMETRICAL ABOUT CENTERLINE

\triangle
THIRD ANGLE PROJECTION

\odot
ALL DOWEL HOLES ARE SF (SLIP FIT).
LOCATIONAL TOLERANCE
 ± 0.005 " OR [$\pm 0.13\text{MM}$]

\oplus
METRIC THREADS
COURSE PITCH

IMPERIAL ([IN.])
0.00 = ± 0.01
0.000 = ± 0.005
0.0000 = ± 0.0005

METRIC (MM)
[0] = ± 0.25
[0.0] = ± 0.13
[0.00] = ± 0.13

RTP-400 (TOOLING SIDE)

Automatic Tool Changers | Technical Specifications | Dimensions

Specification:

Max. Payload **W**: 180 Kg [400 lb]

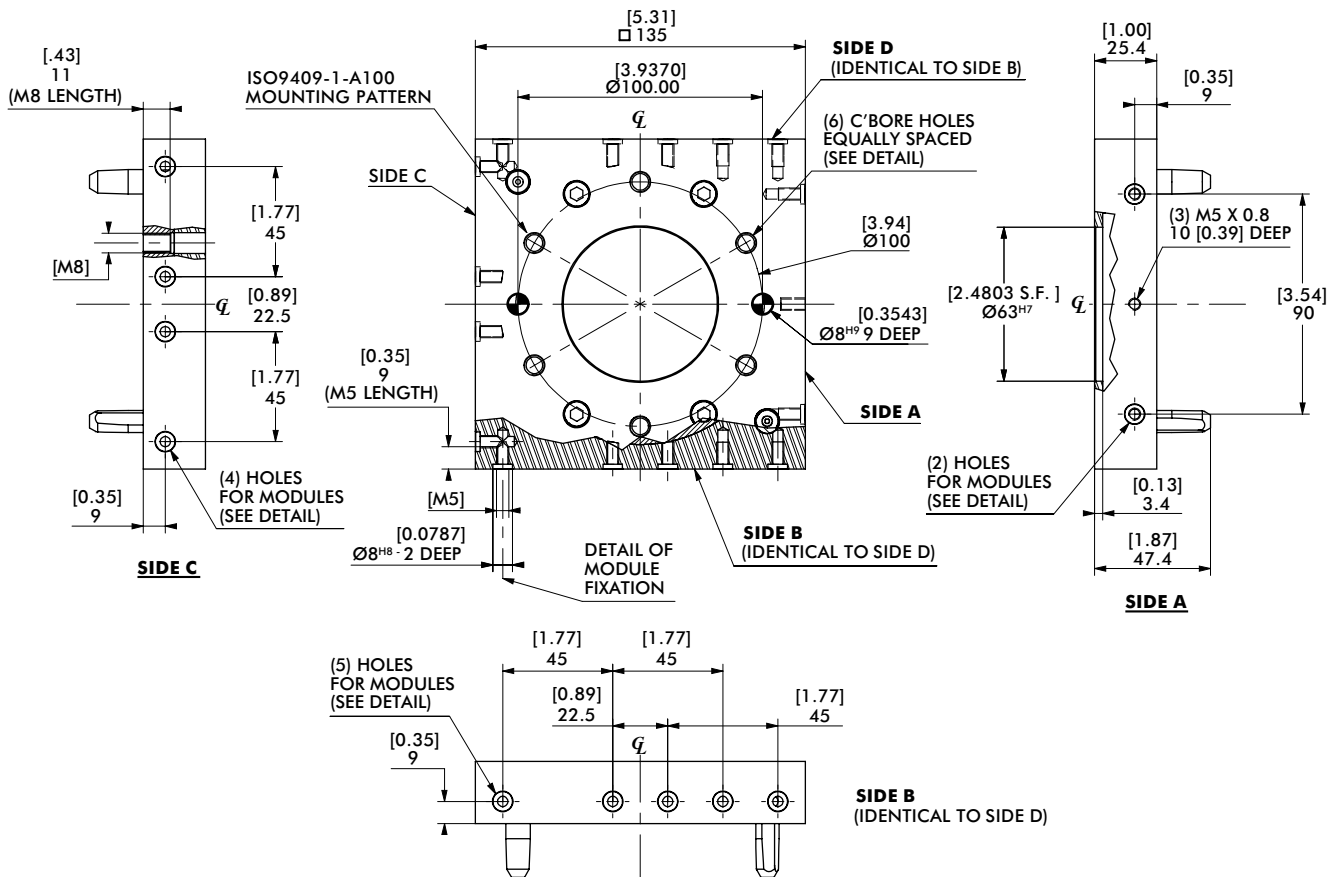
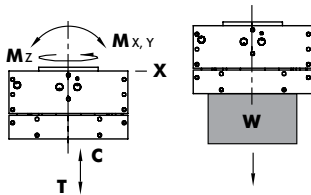
Weight: 1.1 Kg [2.43 lb]

Loading Capacity:

Max. Tensile **T**: 2670 N [600 lb]

Max. Compressive **C**: 3560 N [800 lb]

Max. Moment (**M_x/M_y/M_z**): 1580 Nm [14000 in-lb]



UNLESS OTHERWISE NOTED ALL TOLERANCES ARE AS SHOWN BELOW

\varnothing
DIMENSIONS ARE SYMMETRICAL ABOUT CENTERLINE

\triangle
THIRD ANGLE PROJECTION

\oplus
ALL DOWEL HOLES ARE SF (SLIP FIT).
LOCAL TOLERANCE ± 0.005 " OR ± 0.13 MM

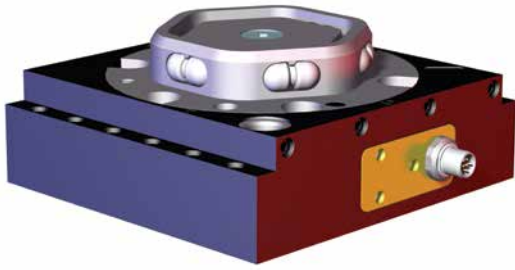
M
METRIC THREADS
COURSE PITCH

IMPERIAL ([IN.])
0.00 = $\pm .01$
0.000 = $\pm .005$
0.0000 = $\pm .0005$

METRIC (MM)
[0] = $\pm .25$
[0.0] = $\pm .13$
[0.00] = $\pm .013$

RQC-800, RQC-1200 (ROBOT SIDE)

Automatic Tool Changers | Technical Specifications | Dimensions



RQC-800 Specification:

Max. Payload **W**: 360 Kg [800 lb]
 Weight: 5.3 Kg [11.68 lb]
 Cyl. Bore: Ø80mm [3.15in]
 Displacement: 95.6 cm³ [5.83in³]

Loading Capacity:

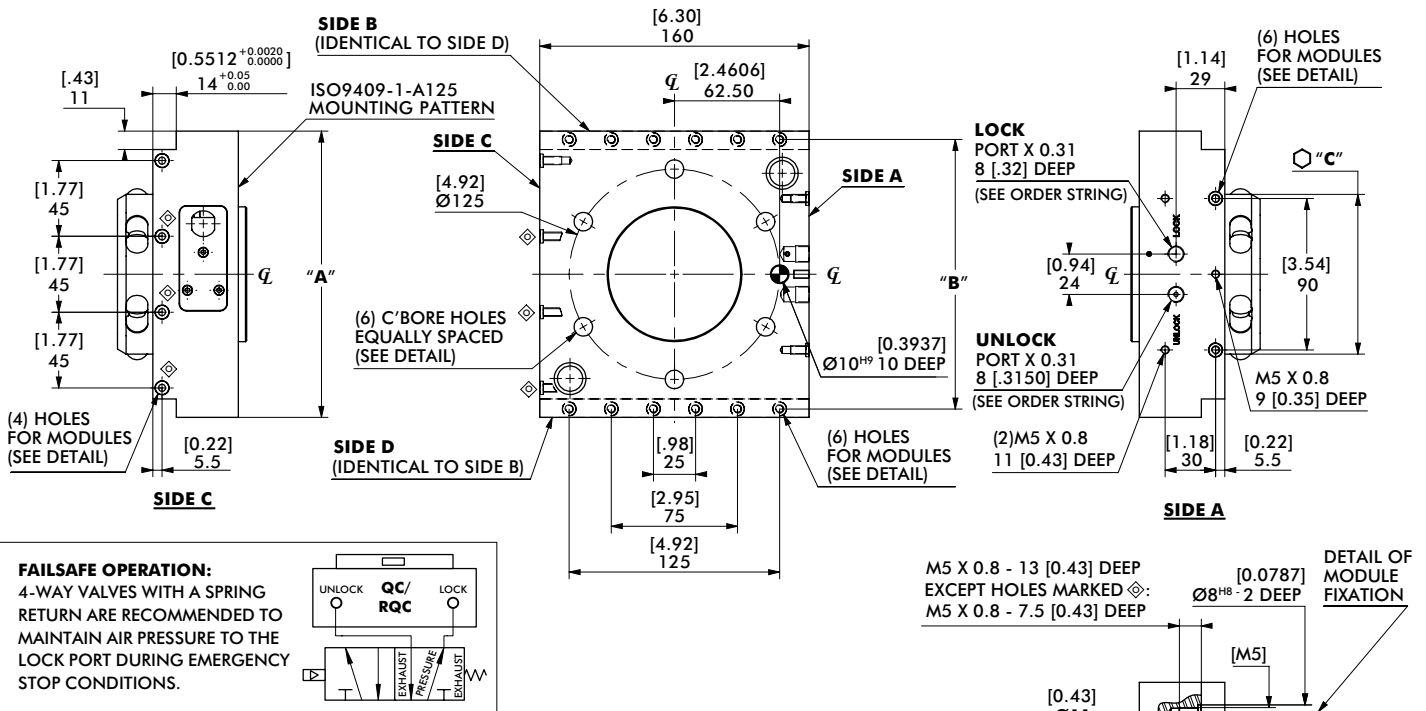
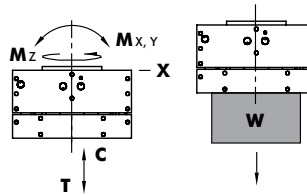
Max. Tensile **T**:
 5340 N [1200 lb]
 Max. Compressive **C**:
 7120 N [1600 lb]
 Max. Moment (**M_x/M_y/M_z**):
 2490 Nm [22000 in-lb]

RQC-1200 Specification:

Max. Payload **W**: 550 Kg [1200 lb]
 Weight: 6.4 Kg [14.11 lb]
 Cyl. Bore: Ø95mm [3.74in]
 Displacement: 153.7 cm³ [9.38in³]

Loading Capacity:

Max. Tensile **T**:
 8000 N [1800 lb]
 Max. Compressive **C**:
 10700 N [2400 lb]
 Max. Moment (**M_x/M_y/M_z**):
 3390 Nm [30000 in-lb]



UNLESS OTHERWISE NOTED ALL TOLERANCES ARE AS SHOWN BELOW

☯
 DIMENSIONS ARE SYMMETRICAL ABOUT CENTERLINE

▶
 THIRD ANGLE PROJECTION

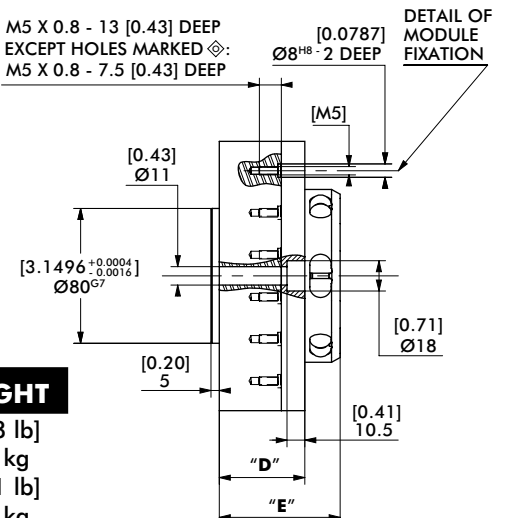
⊙
 ALL DOWEL HOLES ARE SF (SLIP FIT). LOCAL TOLERANCE ±.0005" OR ±.013MM

⊘
 METRIC THREADS COURSE PITCH

IMPERIAL ([IN.])
 0.00 = ±.01
 0.000 = ±.005
 0.0000 = ±.0005

METRIC (MM)
 [0] = [±.25]
 [0.0] = [±.13]
 [0.00] = [±.013]

MODEL NUMBER	"A"	"B"	"C"	"D"	"E"	WEIGHT
RQC-800	[6.69] 170.0	[6.2992] 160.0	[3.73] 94.75	[2.00] 50.8	[2.82] 71.75	[11.8 lb] 6.3 kg
RQC-1200	[7.01] 178.0	[6.6142] 168.0	[4.08] 103.6	[2.25] 57.15	[3.31] 84.15	[14.1 lb] 6.4 kg



RTP-800, RTP-1200 (TOOLING SIDE)

Automatic Tool Changers | Technical Specifications | Dimensions

RTP-800 Specification:

Max. Payload **W**: 360 Kg [800 lb]
Weight: 1.8 Kg [3.97 lb]

Loading Capacity:

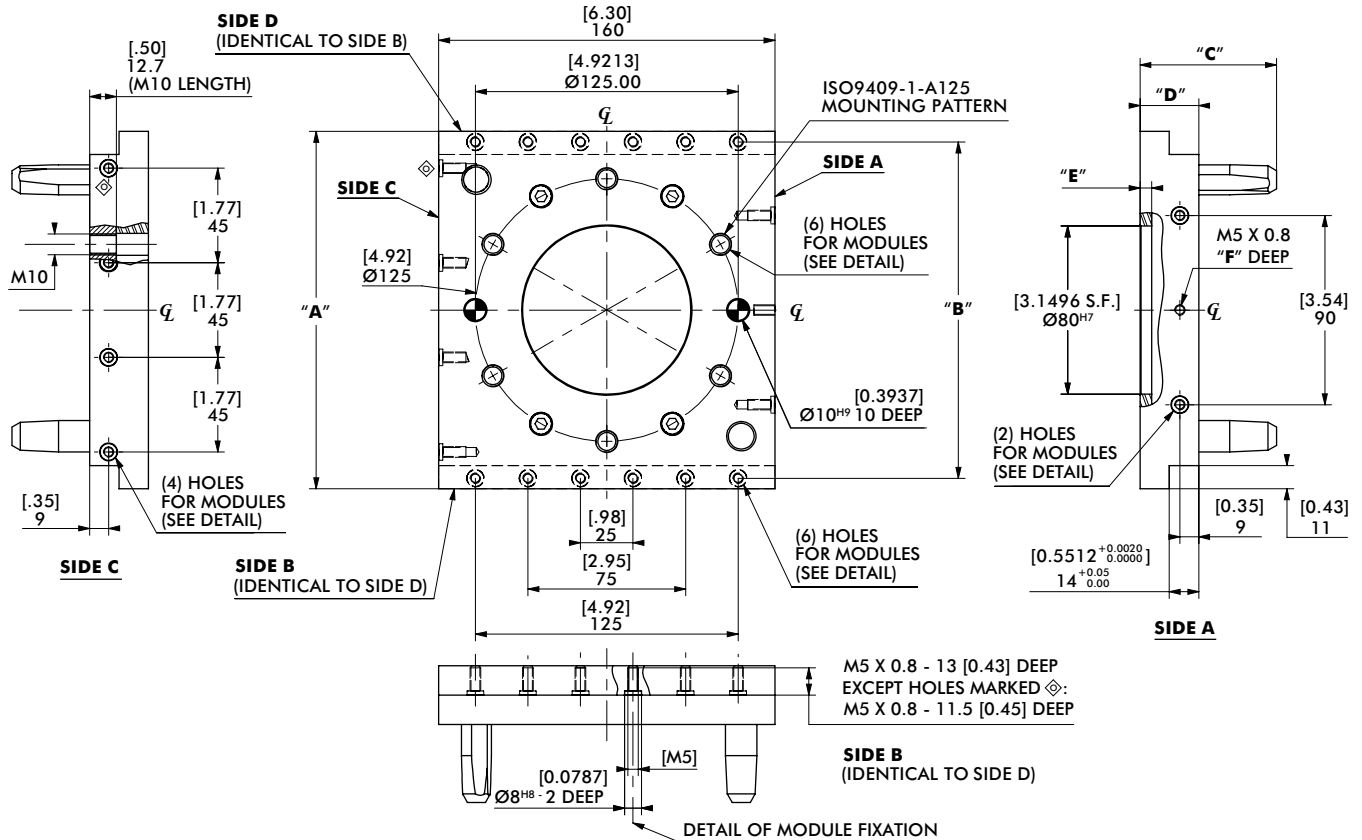
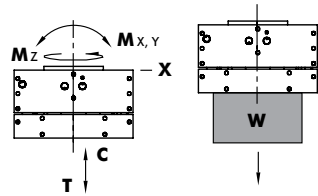
Max. Tensile **T**:
5340 N [1200 lb]
Max. Compressive **C**:
7120 N [1600 lb]
Max. Moment (**M_x/M_y/M_z**):
2490 Nm [22000 in-lb]

RTP-1200 Specification:

Max. Payload **W**: 550 Kg [1200 lb]
Weight: 1.9 Kg [4.19 lb]

Loading Capacity:

Max. Tensile **T**:
8000 N [1800 lb]
Max. Compressive **C**:
10700 N [2400 lb]
Max. Moment (**M_x/M_y/M_z**):
3390 Nm [30000 in-lb]



☉ DIMENSIONS ARE SYMMETRICAL ABOUT CENTERLINE

▶ THIRD ANGLE PROJECTION

⊙ ALL DOWEL HOLES ARE SF (SLIP FIT). LOCATIONAL TOLERANCE ±.0005" OR [±.013MM]

⊕ METRIC THREADS COURSE PITCH

IMPERIAL ([IN.])
0.00 = ±.01
0.000 = ±.005
0.0000 = ±.0005

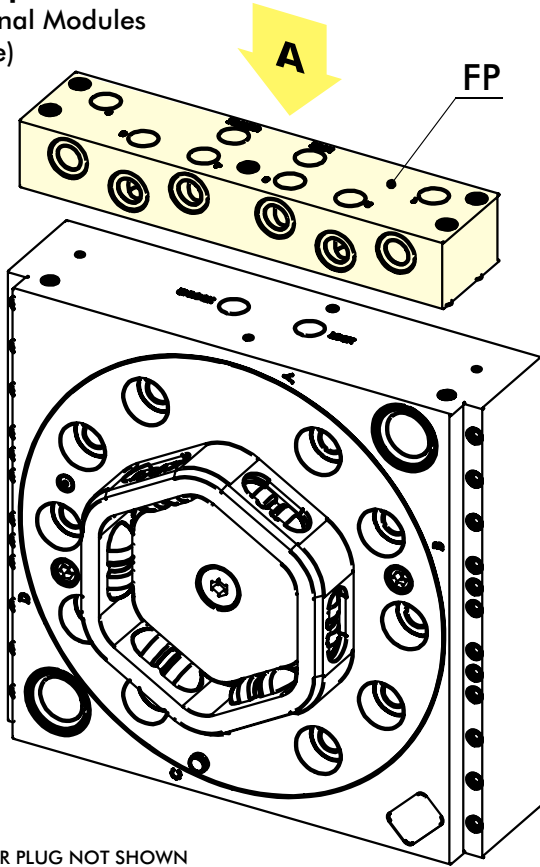
METRIC (MM)
[0] = [±.25]
[0.0] = [±.13]
[0.00] = [±.013]

MODEL NUMBER	"A"	"B"	"C"	"D"	"E"	"F"	WEIGHT
RTP-800	[6.69] 170.0	[6.2992] 160.0	[2.56] 64.94	[1.10] 27.94	[0.22] 5.5	[0.39] 10.0	[4.00 lb] 1.8 kg
RTP-1200	[7.01] 178	[6.6142] 168.0	[2.71] 68.75	[1.25] 31.75	[0.13] 3.25	[0.30] 7.5	[2.90 lb] 1.32 kg

RQC-2400/RTP-2400

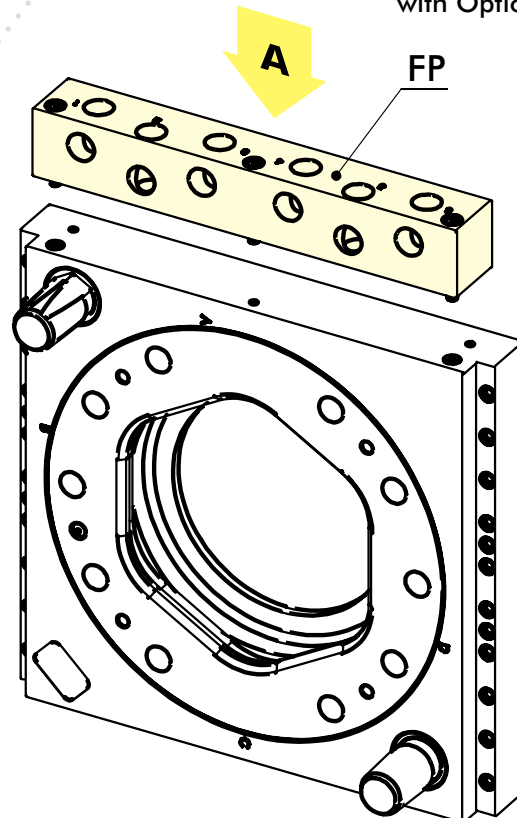
Automatic Tool Changers | Module Usage Illustrations

RQC-2400
Robot Adaptor Module
with Optional Modules
(Robot Side)



USER PLUG NOT SHOWN

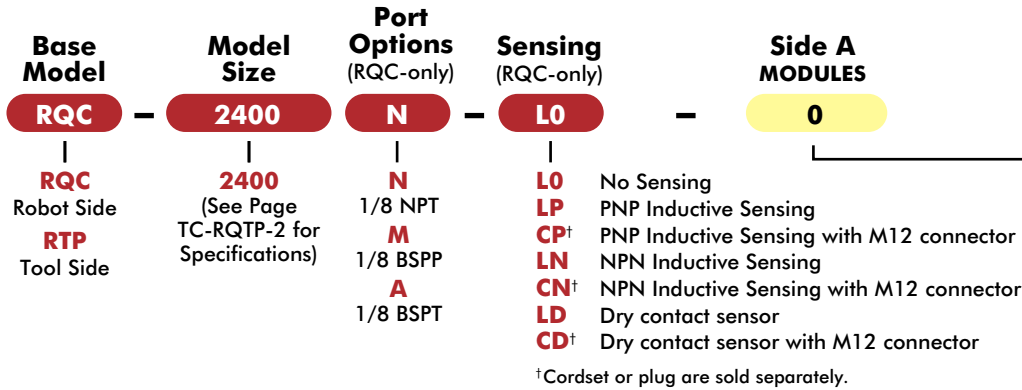
RTP-2400
Tool Adaptor Module
with Optional Modules
(Tool Side)



USER PLUG NOT SHOWN

RQC-2400/RTP-2400

Automatic Tool Changers | Ordering Information



†Cordset or plug are sold separately.

Side A	Order Code	Optional Modules
•	0	No Module
•	FP	6X 1/8" BSPP Air Ports Module, Face Seal, 10 Bar

Electrical and pneumatic accessories are ordered separately.

Please note some electrical accessories can only be used with certain modules for either **RQC** or **RTP** "Base Models".

For pneumatic accessories, size of "Base Model" is considered.

ELECTRICAL ACCESSORIES

- ELCT-048** 90° Female Plug, w/o Cable, Solder Type, Cable Clamp for G19 (**RQC Only**)
- ELCT-049** 90° male Plug, w/o Cable, Solder Type, Cable Clamp for G19 (**RTP Only**)
- CABL-028** 90° Female M12 Cordset with 2M Cable for CP, CN, and CD (**RQC Only**)
- CABL-029** 90° Female Cordset with 4M Cable for E19 (**RQC Only**)
- CABL-031** 90° male Cordset with 2M Cable for E19 (**RTP Only**)
- OSRK-004** PNP Inductive Sensor Repair Kit (**RQC Only**)
- OSRK-005** NPN Inductive Sensor Repair Kit (**RQC Only**)
- OSRK-006** Dry Contact Sensor Repair Kit (**RQC Only**)

PNEUMATIC ACCESSORIES

- SLKT-XXX** RQC-2400 Standard Seal Repair Kit

RQC-2400 (ROBOT SIDE)

Automatic Tool Changers | Technical Specifications | Dimensions



RQC-2400 Specification:

Max. Payload **W**: 1089Kg [2400 lb]

Weight: 22 Kg [48.5 lb]

Cyl. Bore: Ø80mm [3.15in]

Displacement: XXXcm³ [XXXin³]

Loading Capacity:

Max. Tensile **T**:

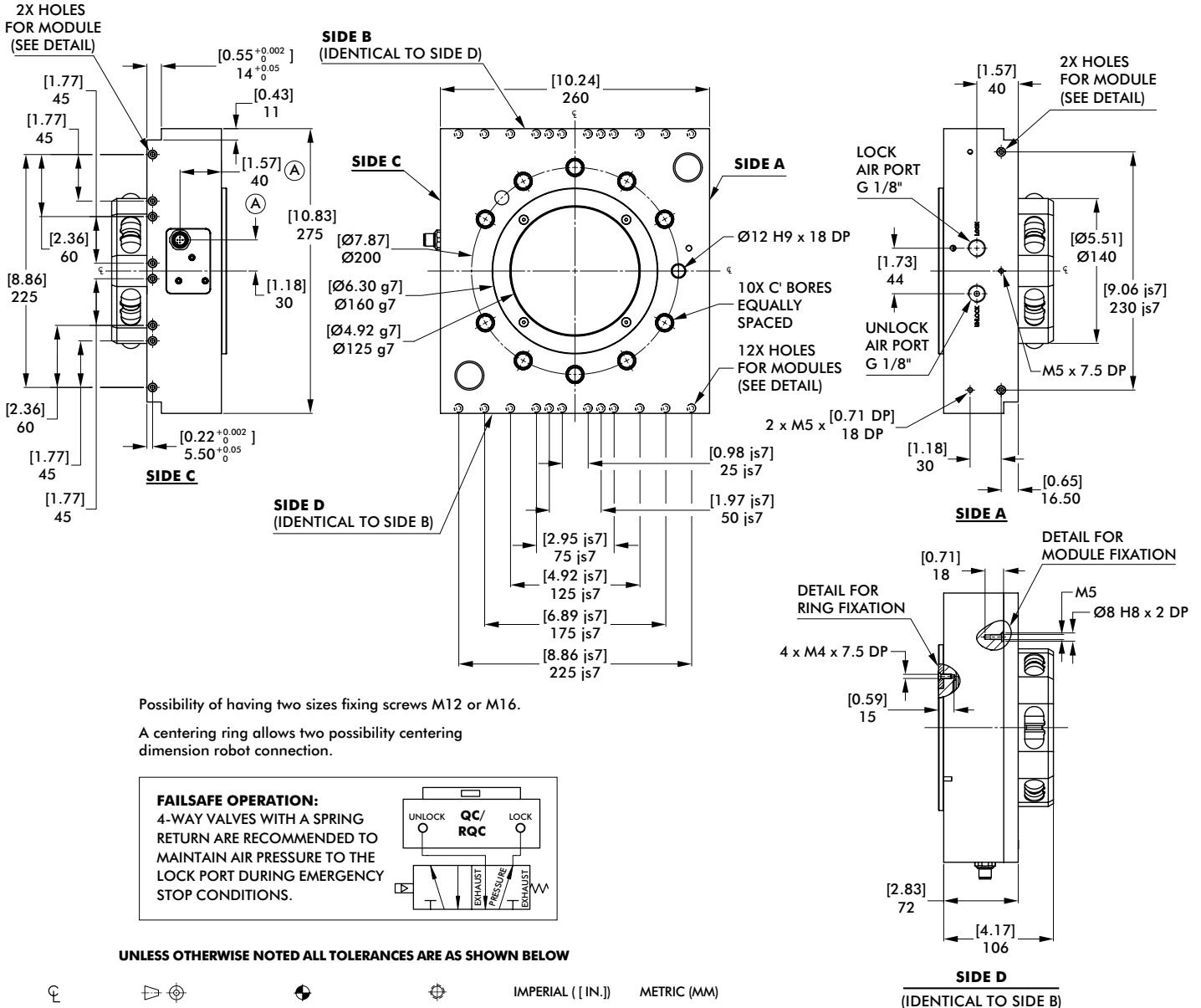
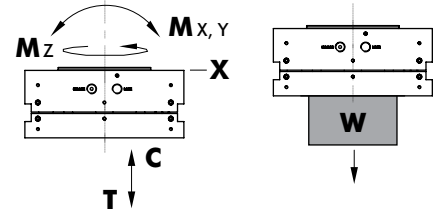
16000 N [3597 lb]

Max. Compressive **C**:

22000 N [4946 lb]

Max. Moment (**M_x/M_y/M_z**):

7000 Nm [91955 in-lb]



Possibility of having two sizes fixing screws M12 or M16.

A centering ring allows two possibility centering dimension robot connection.

FAILSAFE OPERATION:

4-WAY VALVES WITH A SPRING RETURN ARE RECOMMENDED TO MAINTAIN AIR PRESSURE TO THE LOCK PORT DURING EMERGENCY STOP CONDITIONS.

UNLESS OTHERWISE NOTED ALL TOLERANCES ARE AS SHOWN BELOW

				IMPERIAL ([IN.])	METRIC (MM)
DIMENSIONS ARE SYMMETRICAL ABOUT CENTERLINE	THIRD ANGLE PROJECTION	ALL DOWEL HOLES ARE SF (SLIP FIT). LOCAL TOLERANCE ±.0005" OR [±.013MM]	METRIC THREADS COURSE PITCH	0.00 = [±.01 0.000 = ±.005 0.0000 = ±.0005	[0] = [±.25] [0.0] = [±.13] [0.00] = [±.013]

RTP-2400 (TOOLING SIDE)

Automatic Tool Changers | Technical Specifications | Dimensions

RTP-2400 Specification:

Max. Payload **W**: 1089Kg [2400 lb]

Weight: 8 Kg [17.64 lb]

Loading Capacity:

Max. Tensile **T**:

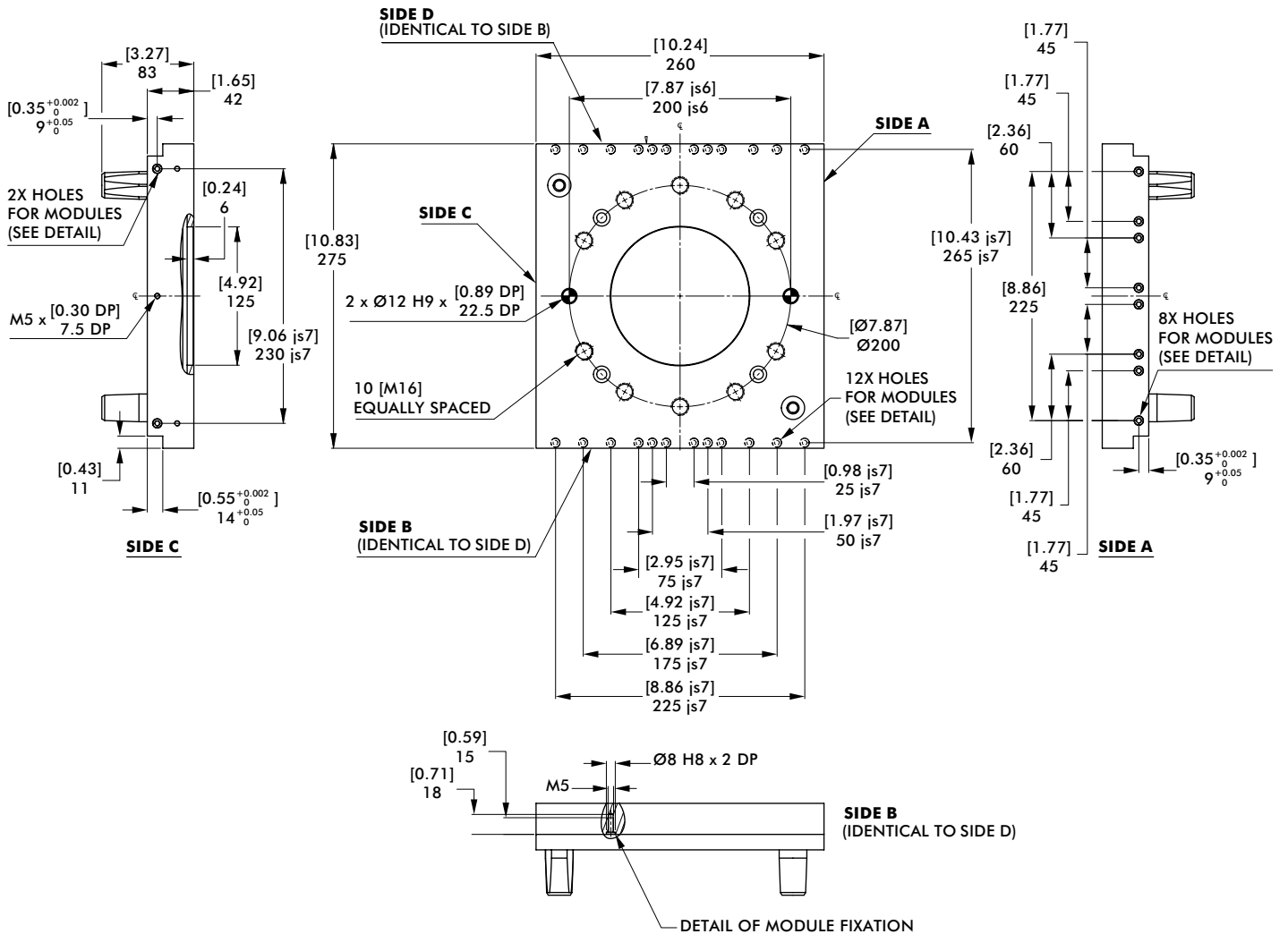
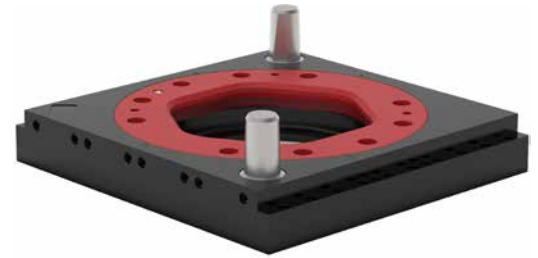
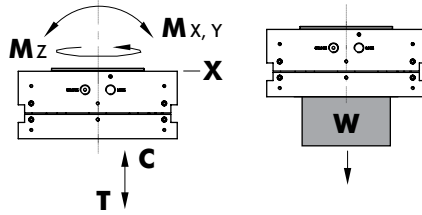
16000 N [3597 lb]

Max. Compressive **C**:

22000 N [4946 lb]

Max. Moment (**M_x/M_y/M_z**):

7000 Nm [91955 in-lb]



UNLESS OTHERWISE NOTED ALL TOLERANCES ARE AS SHOWN BELOW

ϕ
DIMENSIONS ARE
SYMMETRICAL ABOUT
CENTERLINE

\triangle
THIRD ANGLE
PROJECTION

\oplus
ALL DOWEL HOLES ARE SF (SLIP FIT).
LOCAL TOLERANCE
 $\pm .0005^\circ$ OR $\pm .013$ MM

M
METRIC THREADS
COURSE PITCH

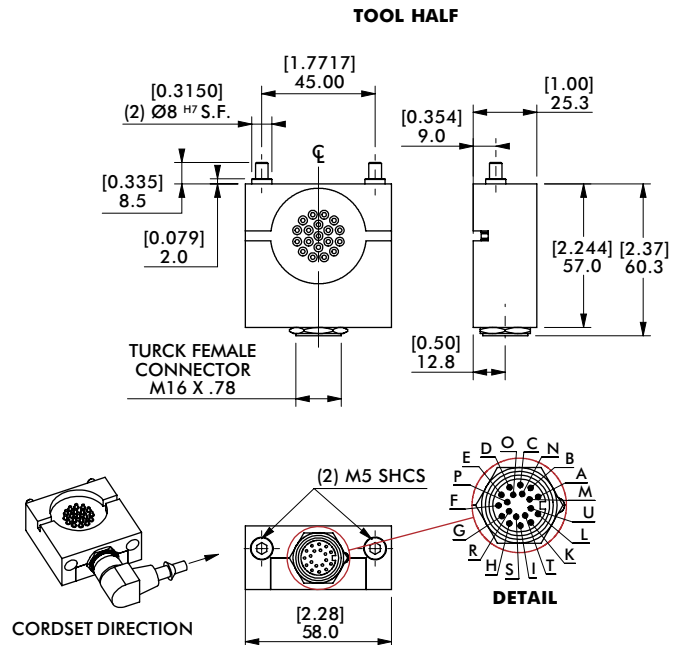
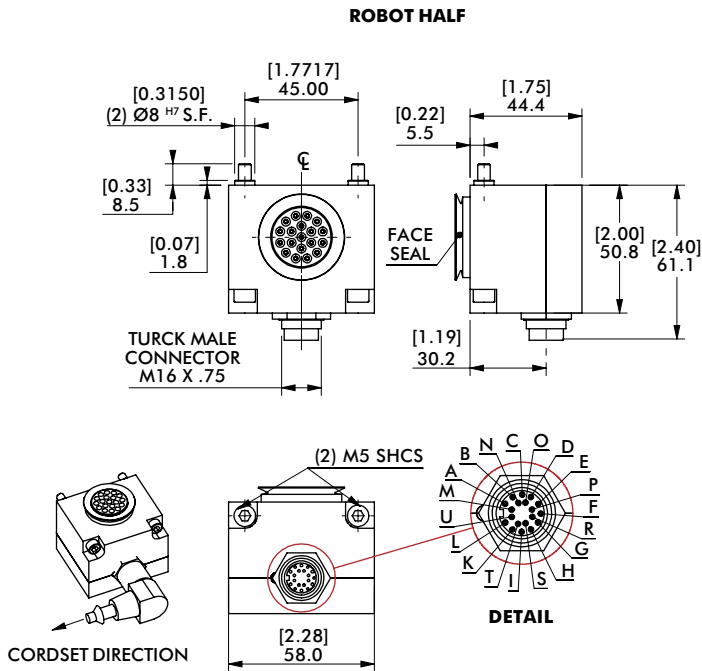
IMPERIAL ([IN.])
0.00 = $\pm .01$
0.000 = $\pm .005$
0.0000 = $\pm .0005$

METRIC (MM)
[0] = $\pm .25$
[0.0] = $\pm .13$
[0.00] = $\pm .013$

RQC/RTP SERIES

Automatic Tool Changers | Technical Specifications | Dimensions

19 Pin Module 3 Amp - 48 VDC

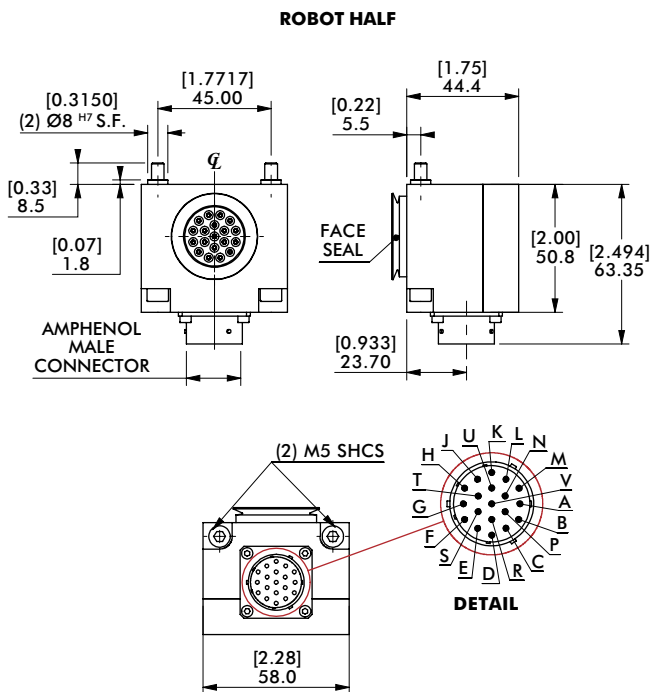


MODULE REPLACEMENT **ROBOT SIDE**
E19 **KE19-RQC**

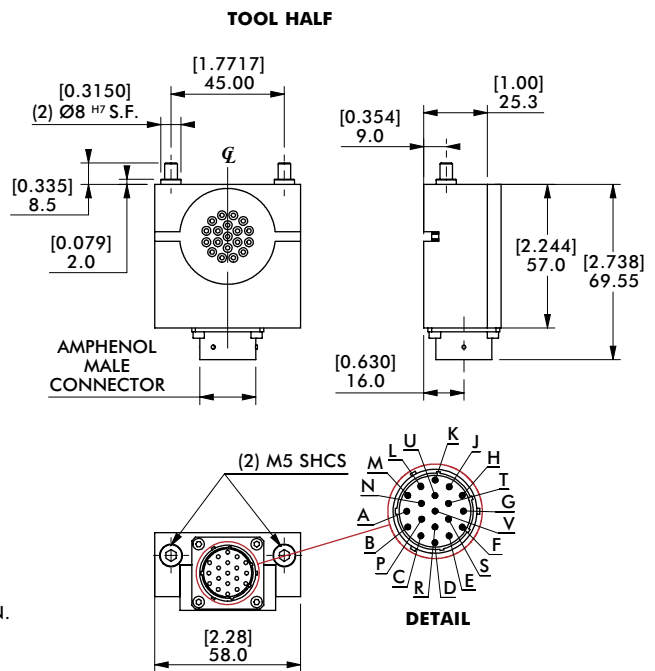
Module kits above include:
 90° Plug Support (without cable),
 indexing sleeves and hardware.

MODULE REPLACEMENT **TOOL SIDE**
E19 **KE19-RTP**

19 Pin Module 5 Amp - 120 VDC



USER
 90°
 PLUG
 NOT
 SHOWN.



MODULE REPLACEMENT **ROBOT SIDE**
G19 **KG19-RQC**

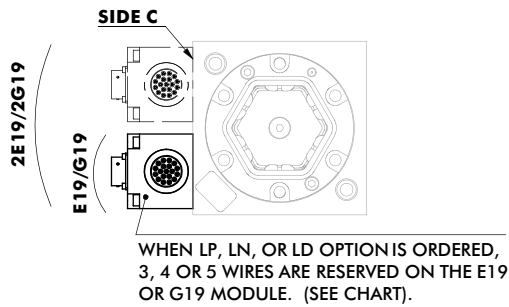
Module kits above include:
 90° Plug support (without cable),
 indexing sleeves and hardware.

MODULE REPLACEMENT **TOOL SIDE**
G19 **KG19-RTP**

RQC/RTP SERIES

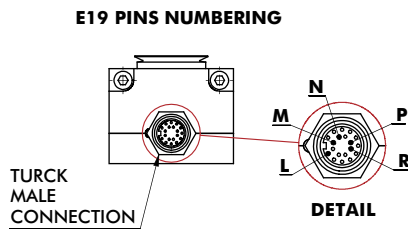
Automatic Tool Changers | Technical Specifications | Dimensions

Modules Connecting with Latch/Unlatch Sensors

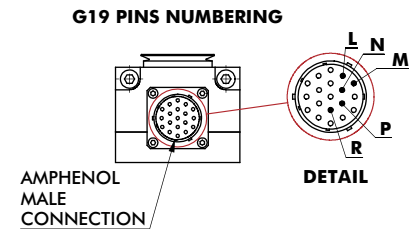


Reserved Pin Numbers on E19/G19		
Sensor/Switch	RQC 200 & 400	RQC 800 & 1200
LP or LN (Inductive)	R: + 10 - 30 VDC	R: + 10 - 30 VDC
	L: Common	L: Common
	M: Lock	M: Lock
	N: Unlock	N: Unlock
LD (Dry Contact)	R: + 10 - 30 VDC	R: + 10 - 30 VDC
	L: Common	L: Common
	M: Lock	M: Lock
	N: Unlock	N: Unlock
		P: Ready to Couple

Pin Numbering

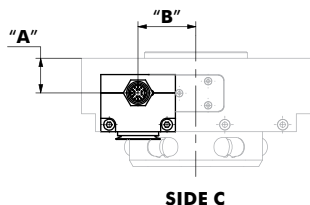


Wire Color on CABL-029 Cordset	
Contact	Wire Color
R	Red
L	Brown
M	Orange
N	Grey/Brown
P	White



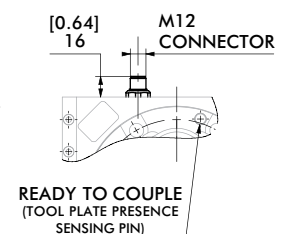
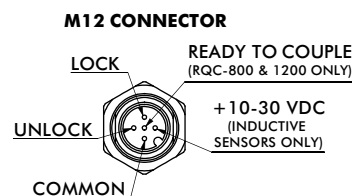
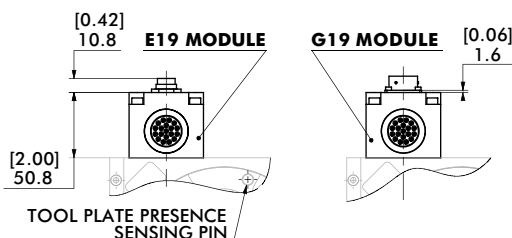
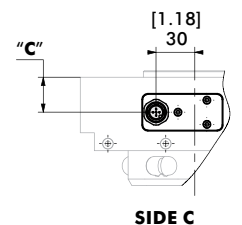
Lock/Unlock Tool Plate Presence Sensing Options (with inductive Sensors and Dry Contact Switches)

SENSING ACCESSORIES LP, LN, OR LD USING 19 PINS MODULES E19 OR G19 (REQUIRES 3, 4, OR 5 OF THE 19 PINS) (AS SHOWN ABOVE)



MODEL	"A"	"B"	"C"
RQC-200	[0.563] 14.3	[0.886] 22.5	[0.652] 16.55
RQC-400	[0.811] 20.6	[1.329] 33.7	[0.685] 17.4
RQC-800	[0.811] 20.6	[1.772] 45.0	[0.821] 20.8
RQC-1200	[1.061] 26.9	[1.772] 45.0	[1.071] 27.2

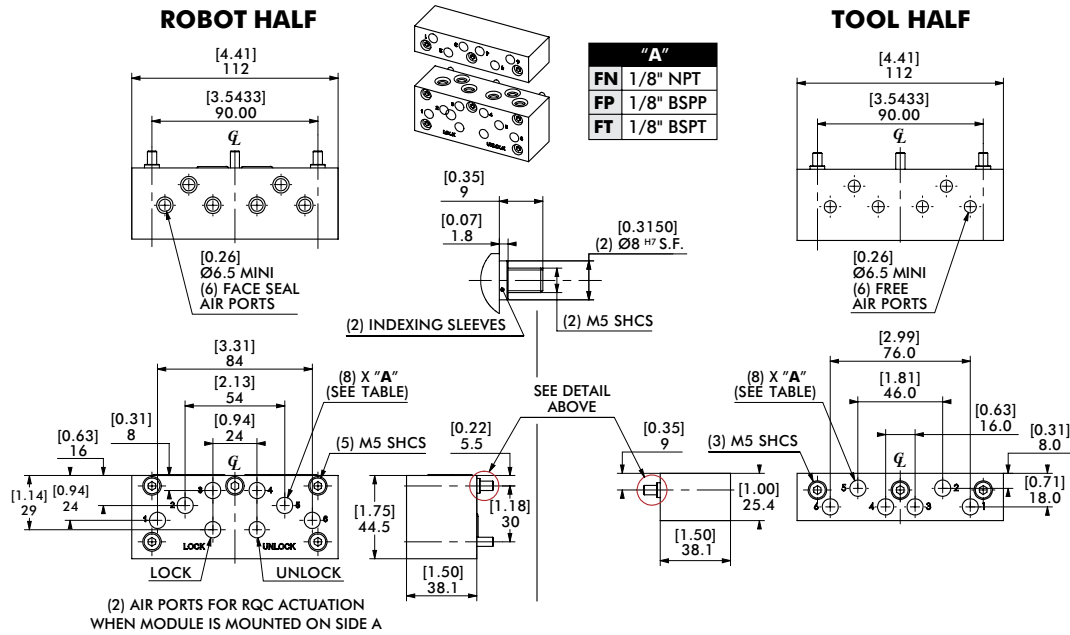
SENSING ACCESSORIES CP, CN, OR CD BY M12 CONNECTOR (3, 4, OR 5 PINS) (SEE BELOW)



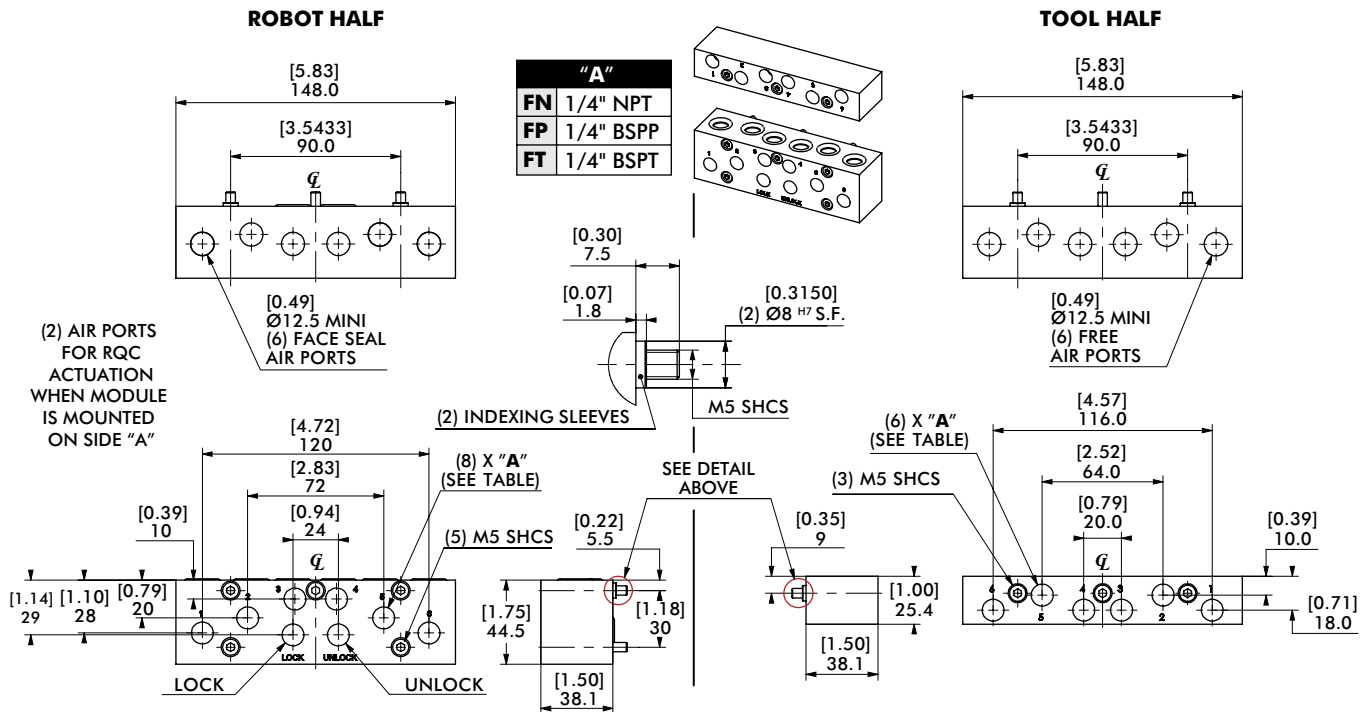
RQC/RTP SERIES

Automatic Tool Changers | Technical Specifications | Dimensions

6 x 1/8" Air Ports Module | Face Seal (for RQC/RTP-200 & RQC/RTP-400)



6 x 1/4" Air Ports Module | Face Seal (for RQC/RTP-800 & RQC/RTP-1200)



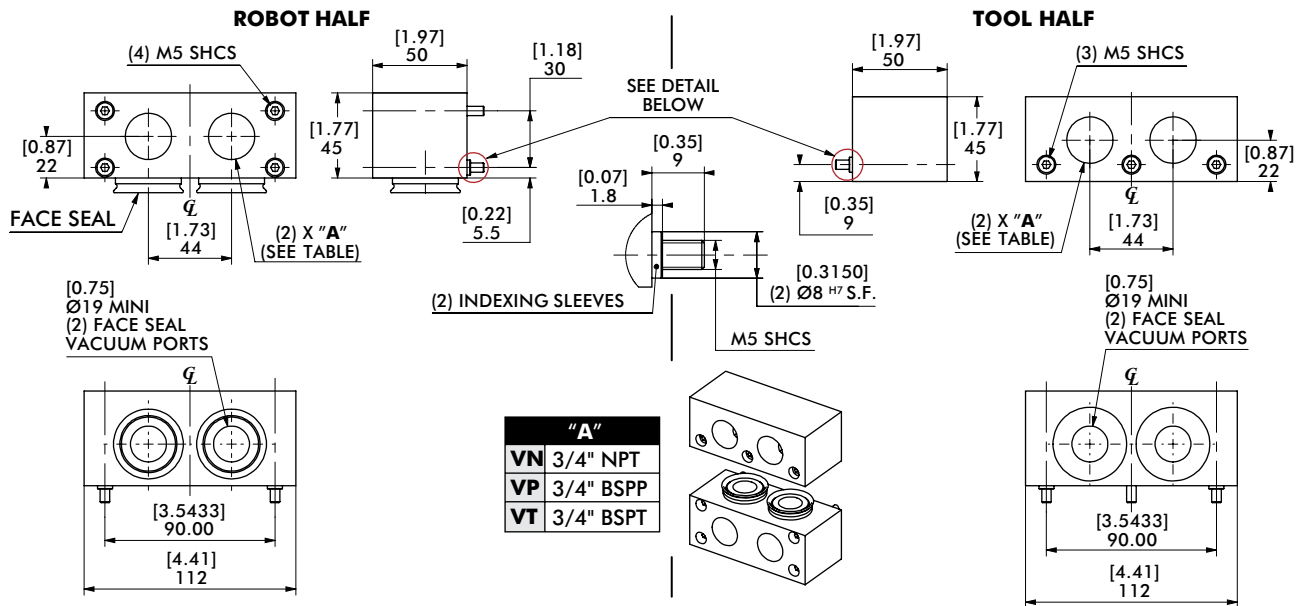
MODULE REPLACEMENT	FOR RQC-200/400	FOR RQC 800/1200	MODULE REPLACEMENT	FOR RTP-200/400	FOR RTP 800/1200
FN	KFN-RQC200	KFN-RQC800	FN	KFN-RTP200	KFN-RTP800
FP	KFP-RQC200	KFP-RQC800	FP	KFP-RTP200	KFP-RTP800
FT	KFT-RQC200	KFT-RQC800	FT	KFT-RTP200	KFT-RTP800

Module kits also include: Couplings, indexing sleeves and hardware.

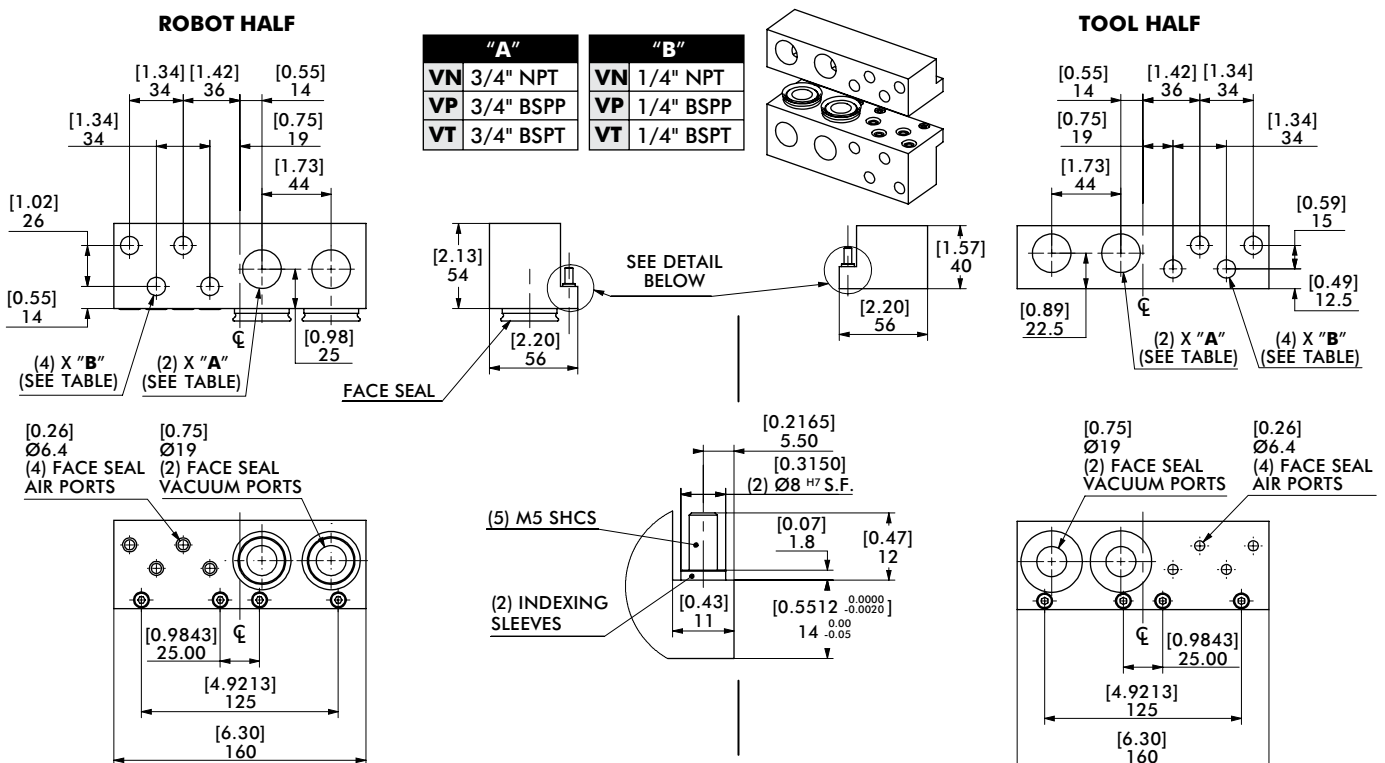
RQC/RTP SERIES

Automatic Tool Changers | Technical Specifications | Dimensions

2 x 3/4" Vacuum Ports Module | Face Seal (for RQC/RTP-200 & RQC/RTP-400)



2 x 3/4" Vacuum Ports Module | Face Seal (for RQC/RTP-800 & RQC/RTP-1200)



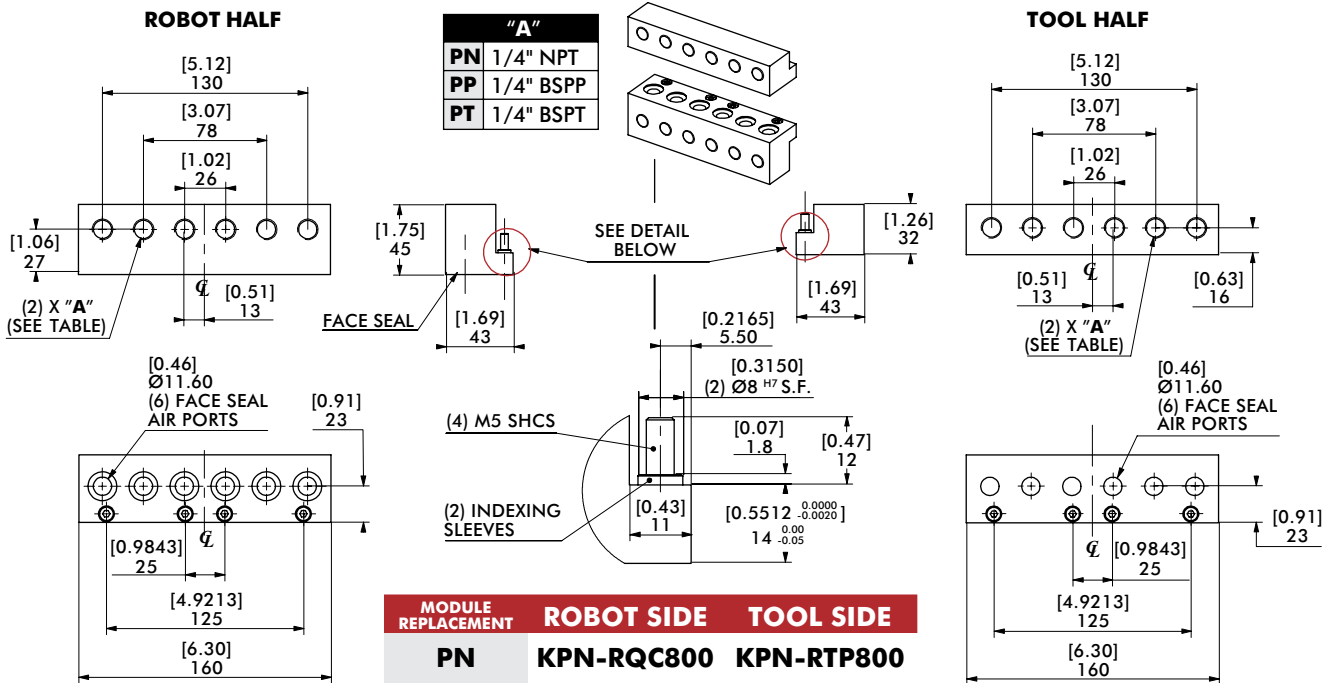
MODULE REPLACEMENT	FOR RQC-200/400	FOR RQC 800/1200	MODULE REPLACEMENT	FOR RTP-200/400	FOR RTP 800/1200
VN	KVN-RQC200	KVN-RQC800	VN	KVN-RTP200	KVN-RTP800
VP	KVP-RQC200	KVP-RQC800	VP	KVP-RTP200	KVP-RTP800
VT	KVT-RQC200	KVT-RQC800	VT	KVT-RTP200	KVT-RTP800

Module kits above include: Couplings, indexing sleeves and hardware.

RQC/RTP SERIES

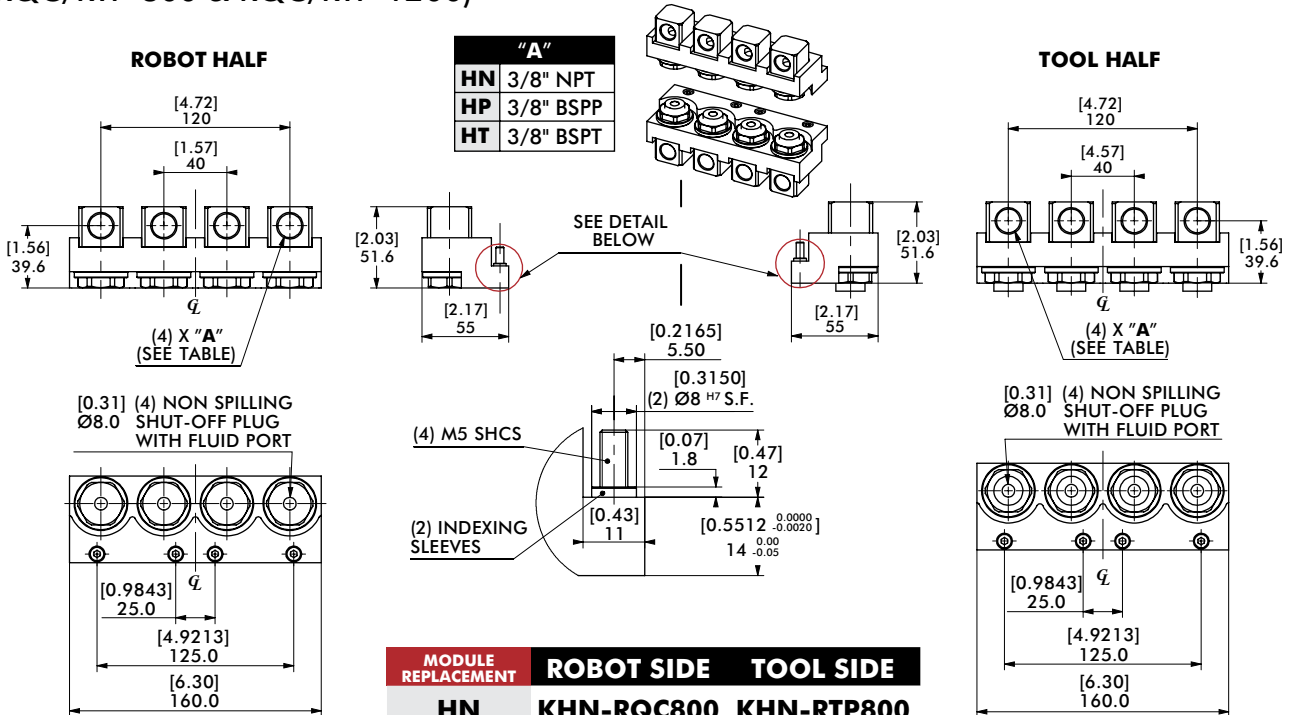
Automatic Tool Changers | Technical Specifications | Dimensions

6 x 1/4" Air Ports Module | Face Seal (for RQC/RTP-800 & RQC/RTP-1200)



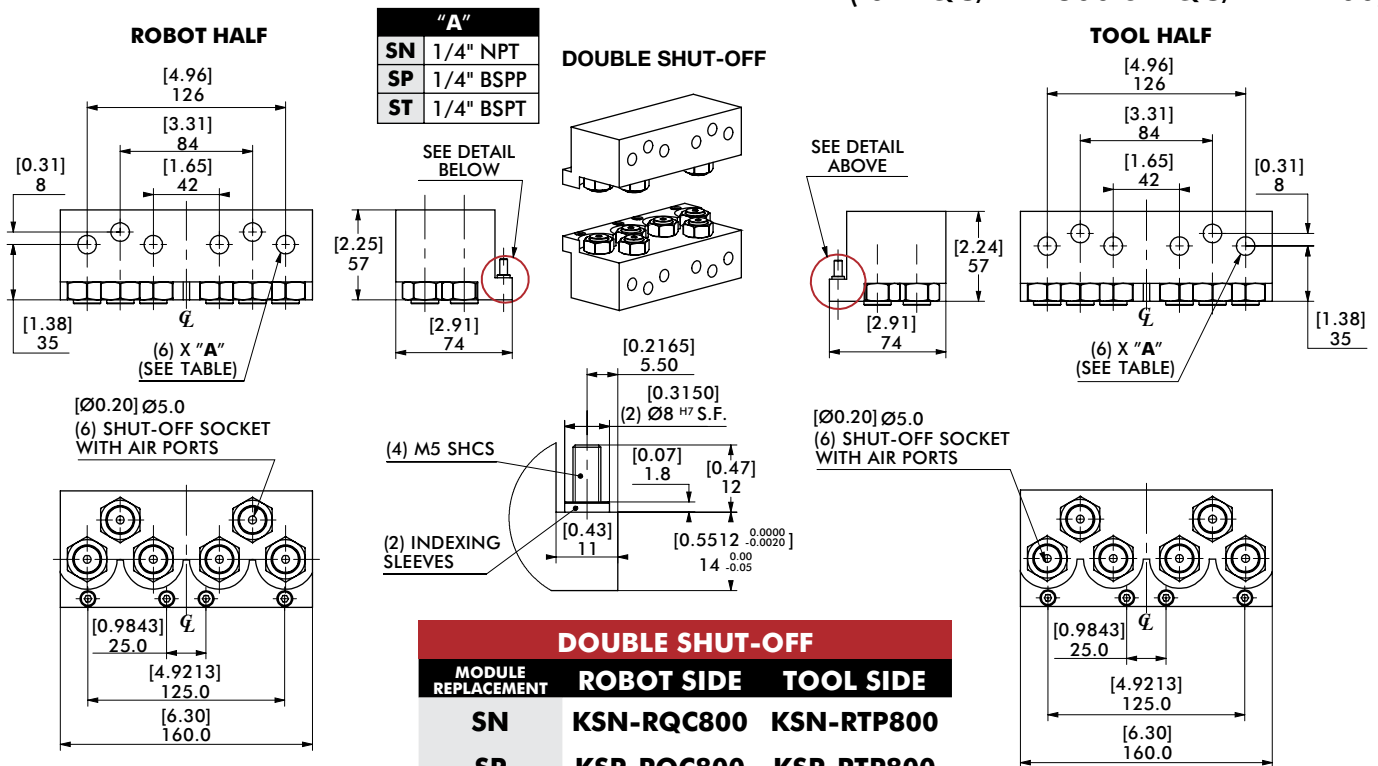
Module kits above include:
Couplings, indexing sleeves
and hardware.

4 x 3/8" Fluid Ports Module | Non Spilling | Double Shut-Off (for RQC/RTP-800 & RQC/RTP-1200)



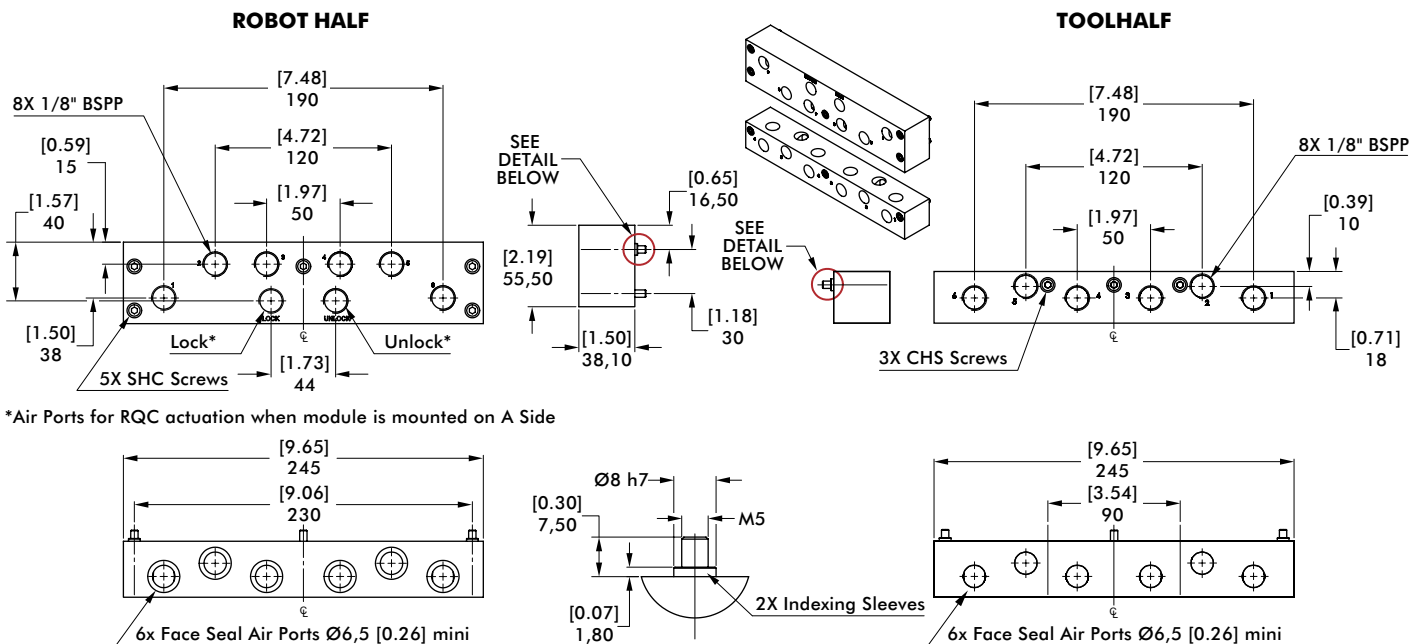
Module kits above include:
Couplings, indexing sleeves
and hardware.

6 x 1/4" Air Ports Module | Double Shut-Off Flat Face (SN/SP/ST) (for RQC/RTP-800 & RQC/RTP-1200)



Module kits above include:
Couplings, indexing sleeves
and hardware.

8 x 1/8" Air Ports Module | Face Seal (FN) (for RQC/RTP-2400)



*Air Ports for RQC actuation when module is mounted on A Side

Module kits above include:
Couplings, indexing sleeves
and hardware.

MODULE REPLACEMENT	ROBOT SIDE	TOOL SIDE
FN	KPN-RQC2400	KPN-RTP2400