

98W03-2

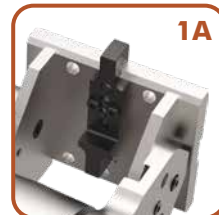
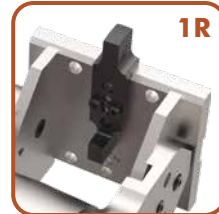
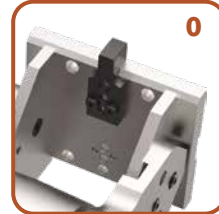
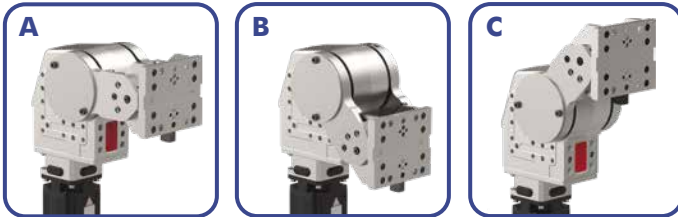
Electric Pivot Unit | Ordering Information

98W03-2 10 A 0 - 00 - 0

Motor Description
10 SEW 400V-Brake

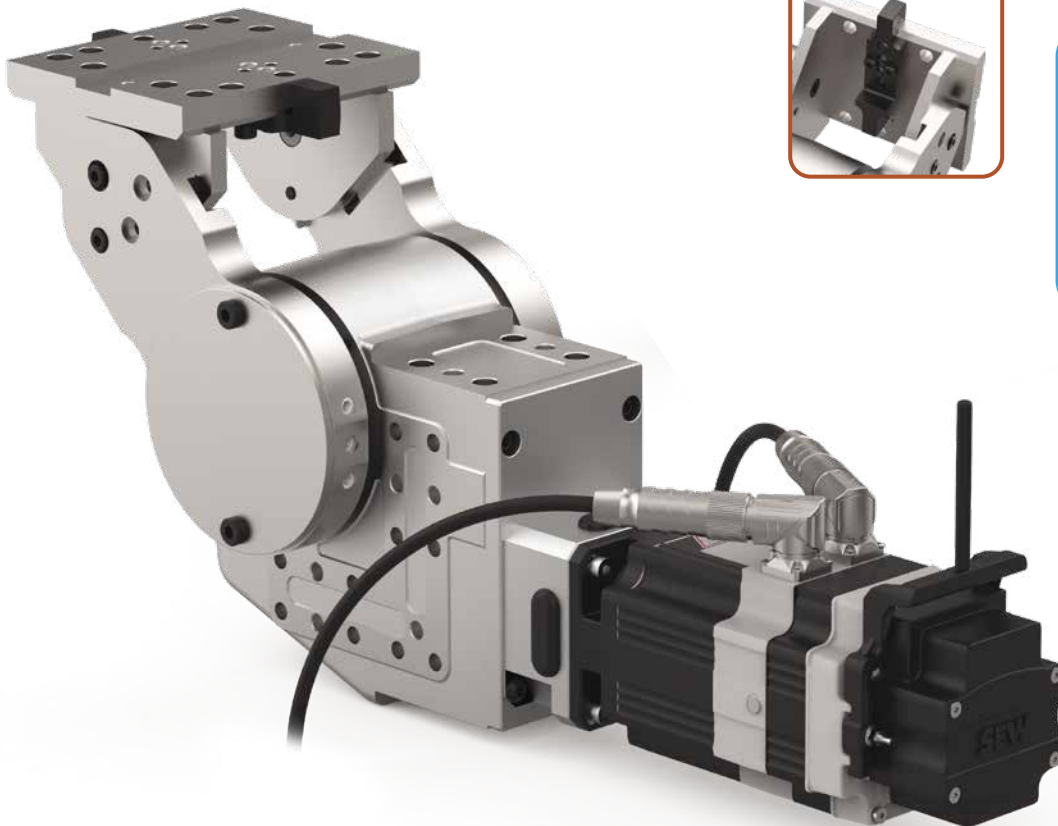
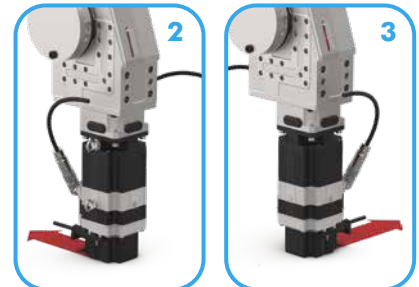
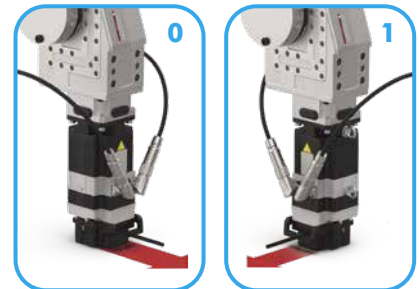
Hard Stop Description
0 Standard Stop
1R Audi-Standard Reference Position
1A Audi-Standard Working Position 0°

Swivel Arm Description
A Center of Pivot Point
B Below Pivot Point
C Above Pivot Point



Connections

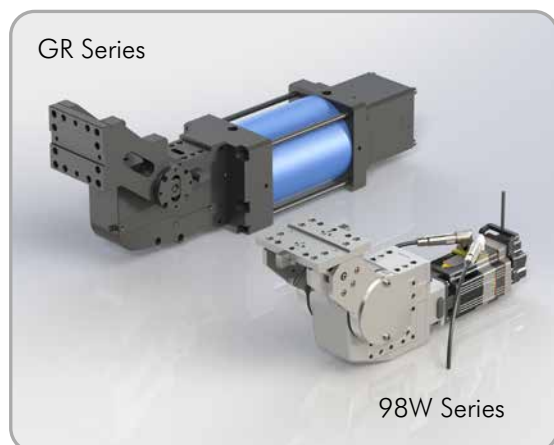
- 0** Facing Back
- 1** Facing Left
- 2** Facing Front
- 3** Facing Right



98W03-210

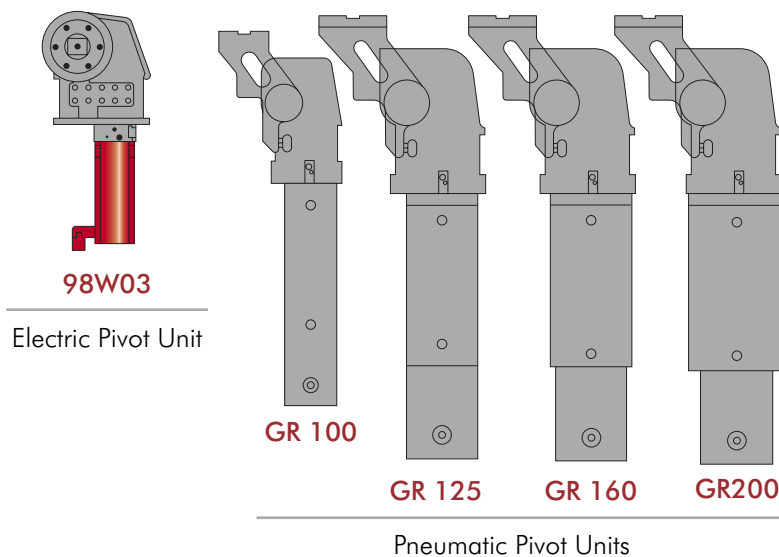
Holding Torque:
 2000 Nm [1475 ft-lb]

Compact size and lightweight design



The 98W series electric pivot unit can share the same mounting pattern as the pneumatic pivot units, while providing greater energy savings with reduced size and weight.

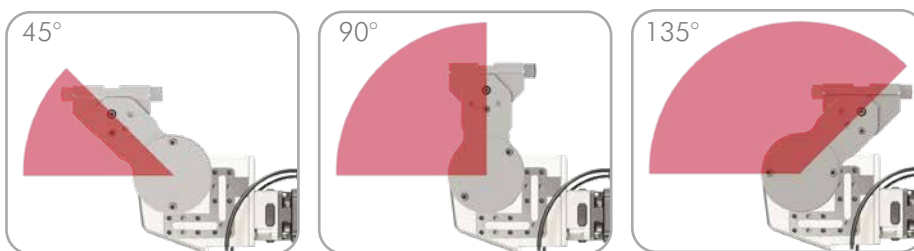
One electric pivot unit replaces four sizes of pneumatic pivot units



Easily adjustable saddle arm and mount

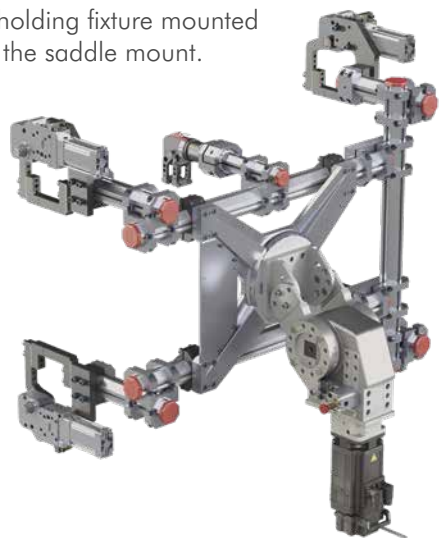
The saddle arm of the electric pivot unit can be adjusted into three different starting positions. Each starting position allows the saddle arm to be pivoted from 135° up to 210°.

Without the saddle arm, the pivot unit can be used as a rotate with 360° rotation.

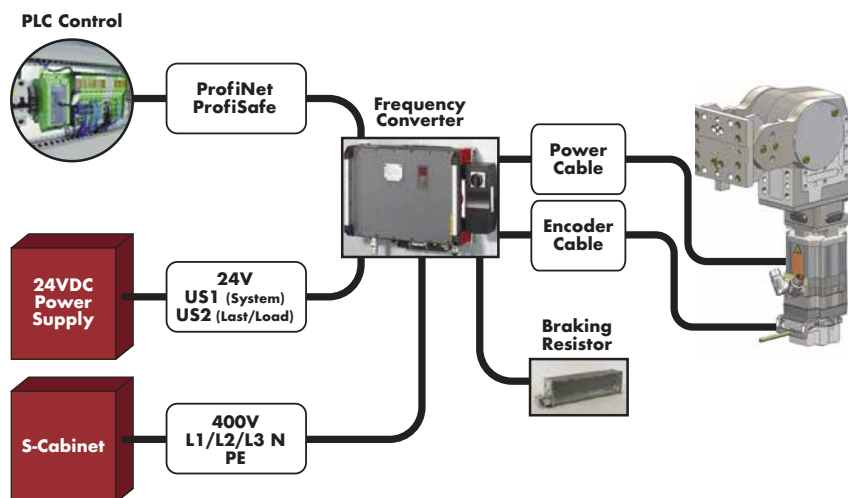


Application Example

98W Series shown with a holding fixture mounted to the saddle mount.

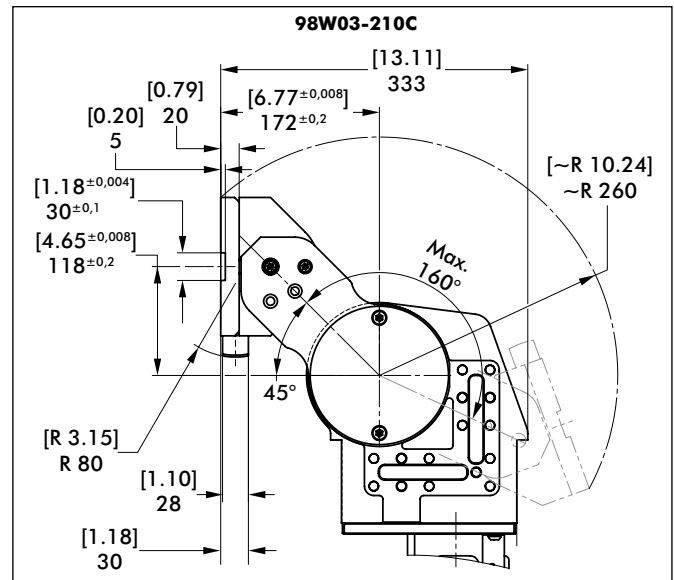
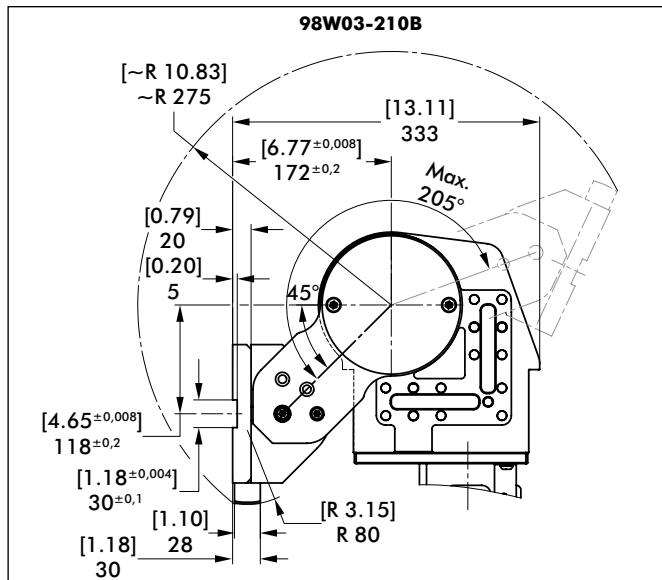
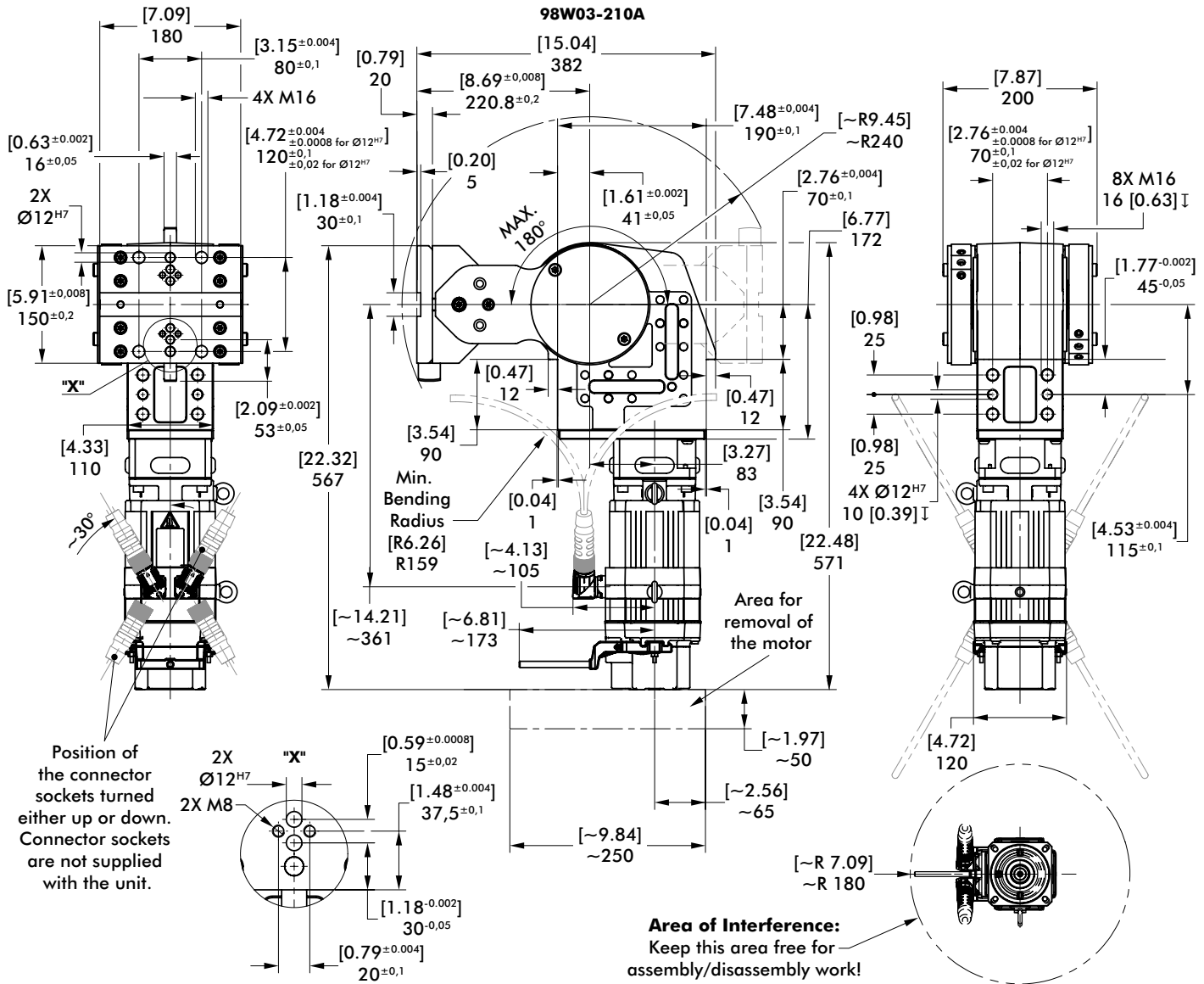


Operating Principle



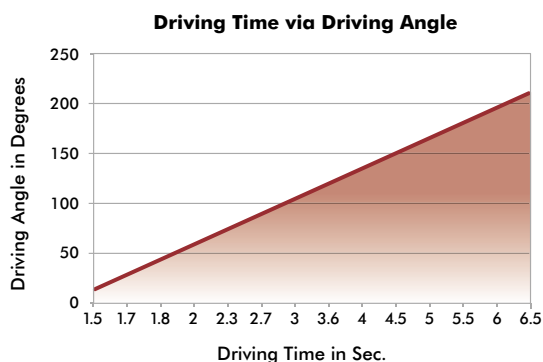
98W03-2

Electric Pivot Unit | Dimensions



Specification	Units	98W03-210
Input supply voltage for external controller:	VAC	400
Control signals from external PLC		
Return signal to external PLC		
Speeds:		
Rotation from 135° to 0°	sec	4 @ 135°
Holding	sec	3
Rotation from 0° to 135°	sec	4 @ 135°
Holding	sec	3
Gear Ratio		420:1
Torque	Nm [in-lb]	500 [4425]
Static Holding Torque	Nm [in-lb]	2000 [17,701]
Max. Motor Torque (must be limited on the control side)	Nm [in-lb]	6 [53.1]
Max. Permissible Motor Speed	RPM	6000 1/min
Duty Cycle		70%
Permissible Output Speed:		
Radial	N [lbf]	2000 [17,701]
Axial	N [lbf]	5000 [44,254]
E-Stop	N [lbf]	0.4 sec @ 500 [0.4 sec @ 112] = ca. 10°
Acceleration	sec	2
Slow down	sec	2
Weight	Kg [lb]	51,5 [113.54]
Operating Temperature	C° [F°]	0° - 60° [32° - 140°]
Repeatability with Hard Stop	mm [in]	± 0,01 @ 500 [± 0.0004 @ 19.69]
Repeatability without Hard Stop	mm [in]	± 0,05 @ 500 [± 0.002 @ 19.69]

Driving Time and Angle Guidelines



Note:
 Maximum speed should not exceed 6000 rpm.
 Velocity must never be in a trapezoidal profile.
 The velocity must have a triangular or sinusoidal shape. Acceleration ramps or jolt files must be adjusted corresponding to the driving angle.

Driving Angle Degrees	Driving Time Sec.	Max Speed RPM	Jolt Time Sec.	Acceleration Ramp ms	Braking Ramp ms	Amplification X-Controller
15	1.4	4017	0.1	500	500	2.23
30	1.7	5862				
45	1.8	6000		400	400	
60	2.0					
75	2.3					
90	2.7			500	500	
105	3.0			600	600	
120	3.6			800	800	
135	4.0	600		600		
150	4.5	700		700		
165	5.0	5700		800	800	
180	5.5	5600				
195	6.0	4500				
210	6.5					