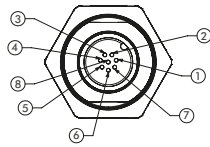


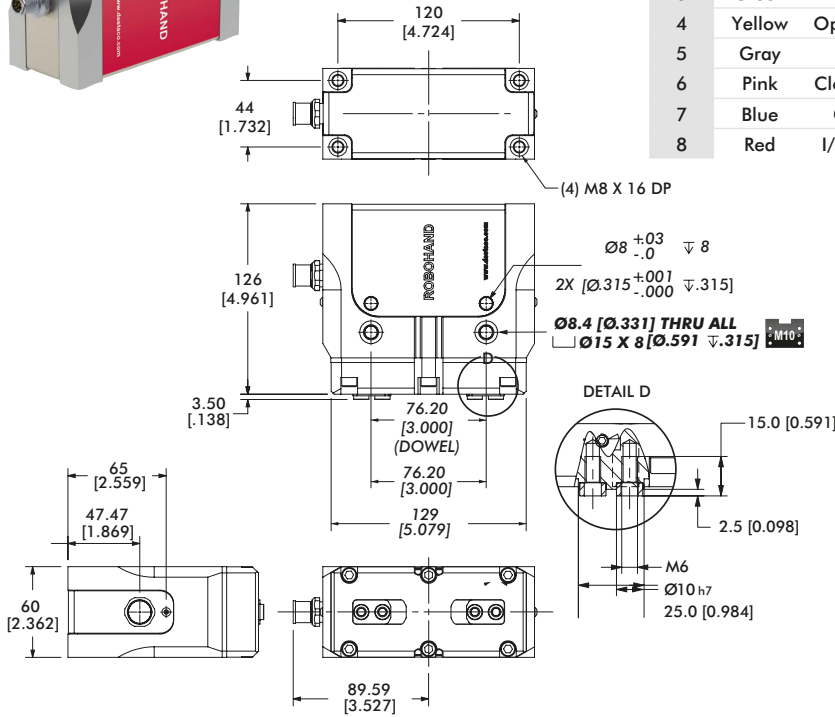
**Electric Parallel Grippers | Dimensions and Technical Specifications**



**Electrical Interface: Pin Out**

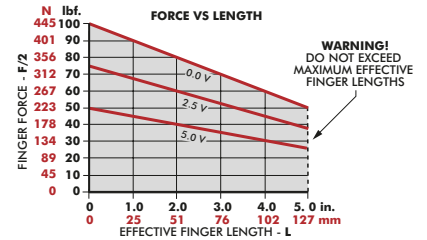
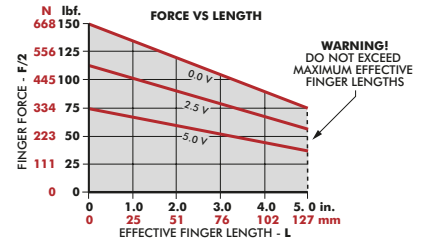
(Looking into the head of the connector on gripper)

Pin #	Color	Signal	Description	Current
1	White	Force	0-5 VDC (Analog)	5mA
2	Brown	+24V	Motor Power	2A (max), 0.4 A (avg)
3	Green	Open	24 VDC Active (Inputs)	10mA
4	Yellow	Open Sense	NPN/PNP (Outputs)	300mA (max)
5	Gray	Close	24 VDC Active (Inputs)	10mA
6	Pink	Close Sense	NPN/PNP (Outputs)	300mA (max)
7	Blue	Ground	Motor Ground	2A (max),
8	Red	I/O Power	24 VDC (PNP Outputs Only)	300mA (max)



NOTE: REVERSE POLARITY PROTECTED

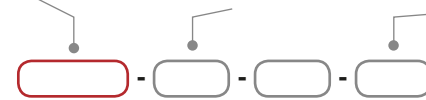
Voltage shown is applied to the FORCE pin, which accepts a 0-5V analog signal.



Specifications	DPE-400
Total Rated Grip Force	
DPE-400-10	667-1334N [150-300 lbf]
DPE-400-20	445-890N [100-200 lbf]
Total Stroke	
DPE-400-10	10mm [0.39 in]
DPE-400-20	20mm [0.78 in]
Repeatability	±0.025mm [0.001 in]
Accuracy	±0.05mm [0.002 in]
Actuation Time	800ms
Operating Temperature Min/Max	0~55°C [32~131°F]
Power Requirements @ 100% Duty Cycle	10 watts
Voltage	24 VDC
DC Current (Peak)	2 amps max.
DC Current: (Continuous)	0.4 amps
Protection Class	IP50
Clean Room	100 (magnalube)
Weight	2.52kg [5.56 lbs]
Maximum Finger Length	125mm [4.92 in]
Durability	3 Million Cycles

**How To Order**

Base Model	Stroke	Description	Internal Sensing	Description
DPE-400	10	10mm	P	PNP
	20	20mm	N	NPN



**Gripping Mode** Description

- OD** Applies Max force on Close
- ID** Applies Max force on Open



OD (Outside Diameter)



ID (Inside Diameter)

Order No.	Optional Power and Sensor Accessories
OHSP-017	PNP Magneto-Resistive Position Sensor
OHSN-017	NPN Magneto-Resistive Position Sensor
CABL-013	Quick Disconnect Sensor Cable, 5m long
CABL-052	8-wire Power and Signal Cable, 5m long with Straight M12 Connector
CABL-053	8-wire Power and Signal Cable, 5m long with 90° M12 Connector