

PRECISION INDEXING SOLUTIONS

Table of Contents

INDEXERS

Servo Positioners



GTB Series
Globoidal (Roller Gear)
Servo Positioner.....IN-SRV-1



RSD Series
Rotary Servo Drives.....IN-SRV-39

Mechanical Indexers



RDM Series
Rotary Index Drive IN-MCH-2



RD Series
Roller Dial Index Drive..... IN-MCH-18



E Series
Heavy-Duty Index Drive IN-MCH-30



RA Series
Right Angle Index Drive IN-MCH-42



RGD/RGS Series
Roller Gear Index Drive IN-MCH-52



P Series
Parallel Shaft/Flange Drive.... IN-MCH-72



RNG Series
Ring Drive Dial Indexer.....IN-MCH-84

OVERLOAD CLUTCHES



Overload Clutches
Output Overload..... IN-CLU-1

CUSTOM CAMS



Custom Cams
Cam Design Solutions IN-CAM-1

CONVEYORS



Rite-Link Series
Thin-Profile.....IN-CNV-1



Precision Link Series
Table-TopIN-CNV-4



Precision Link Series
Heavy-Duty IN-CNV-16

PARTS HANDLERS



LPP Series
Linear Part Handlers IN-PRT-2



RPP Series
Rotary Part Handlers IN-PRT-8

PARALLEL SHAFT/FLANGE DRIVES

Features | Table of Contents



Features:

Camco Parallel Index Drives are ideal for high-speed applications or for actuation-type applications such as driving a linkage or a conveyor.

Hardened and ground conjugate cams

Yoke-mounted, preloaded cam followers are non-reversing for high capacity and speed capability

Whole or fractional stops, oscillating and complex custom motions are available

Long transfer distances achieved with simple linkages

Preloaded, tapered roller bearings for rigidity and backlash-free operation

Table of Contents

How to Order	3
250P	5
387P	7
512P	9
662P	11

P SERIES

Parallel Shaft/Flange Drives | How To Order

Indexer Ordering Procedure

1. Input Assembly: Right, Left or Double (DE)
2. Output Assembly: Right, Left or Double (DE).
 - Flanged output is primary output. For Double Output, specify whether flanged output is on right or left side.

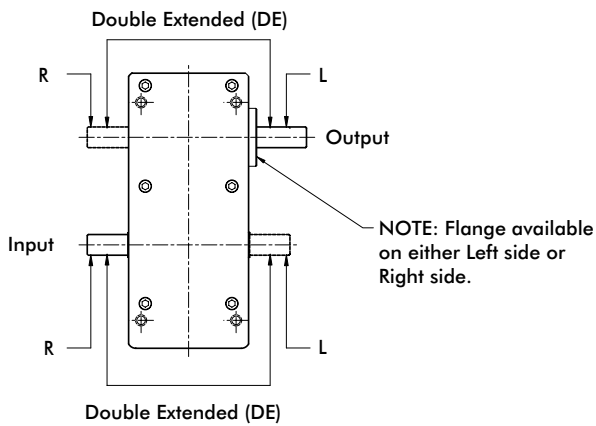
NOTE: Input may rotate in either direction to achieve desired direction of output rotation.

3. Mounting Position: 1-6

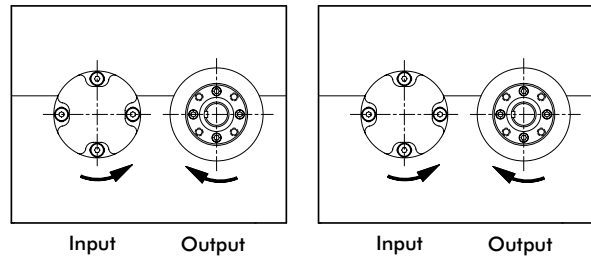
Reducer Ordering Procedure

1. Model
2. Ratio: 5:1, 10:1, 15:1, 20:1, 25:1, 30:1, 40:1, 50:1, 60:1
3. Motor Adapter
4. Reducer Input Shaft Extension: Single Input (SE) or Double Input (DE)
5. Mounting (see diagram below)

Position of Shafts (Top View)



Input/Output Shaft Rotation



Parallel Shaft/Flange Drives | Indexer Mounting Position

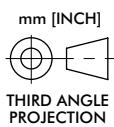
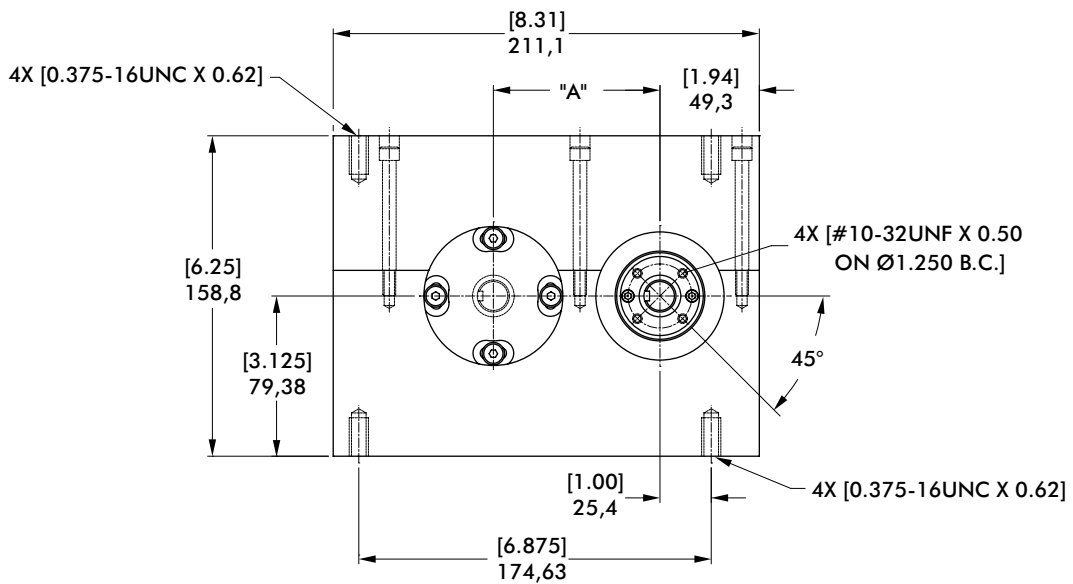
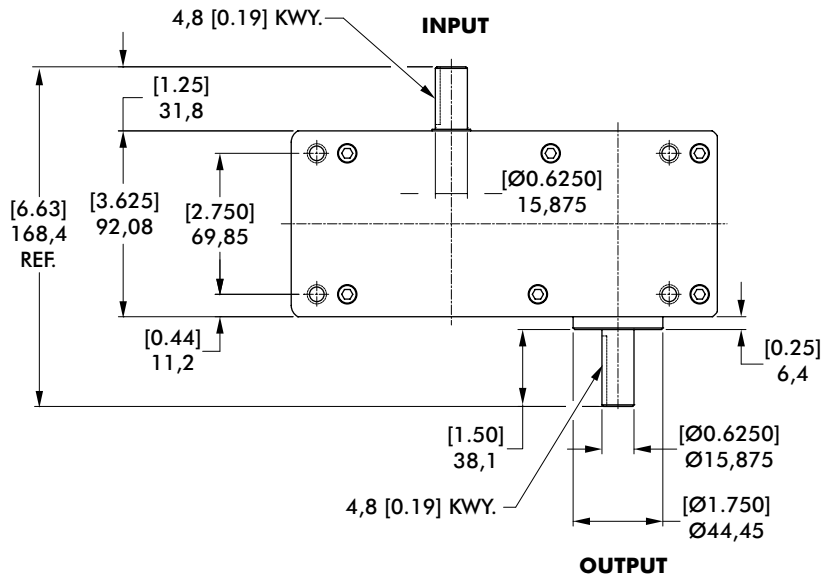
OHEI (output horizontal, even with input)	OHEI (output horizontal, even with input)	OHOI (output horizontal, over input)	OHUI (output horizontal, under input)	VD (output vertical down)	VU (output vertical up)
1	2	3	4	5	6

Gear Reducer Mounting Positions (Figure 4)

		Mounting "A"		Mounting "B"	
		RH	LH	RH	LH
SIDE R		A			C
		D			D
SIDE L		E			G
		H			H
		Mounting "C"		Mounting "D"	
		RH	LH	RH	LH
SIDE R		J			L
		M			M
SIDE L		N			R
		S			S

250P SERIES

Parallel Shaft/Flange Drives | Dimensions



250P Indexer Capacities						
Stops	Index Period	Motion	B. Capacity at 50 RPM N-m [in-lb]	Internal Inertia kg-cm ² [lb-in ²]	Model	"A" Center mm [in]
1	300	msc.50	50 [444]	8,8 [3]	250P1H20-300	82,6 [3.25]
1.5	270	msc.33	54 [481]	5,9 [2]	250P1.5H20-270	82,6 [3.25]
2	270	ms	49 [433]	8,8 [3]	250P2H20-270	82,6 [3.25]
	180	msc.33	62 [546]	8,8 [3]	250P2H20-180	82,6 [3.25]
3	270	ms	66 [582]	5,9 [2]	250P3H20-270	69,9 [2.75]
	120	ms	74 [653]	5,9 [2]	250P3H20-120	82,6 [3.25]
4	270	ms	65 [571]	8,8 [3]	250P4H20-270	69,9 [2.75]
	90	msc.25	88 [782]	8,8 [3]	250P4H20-90	82,6 [3.25]
6	270	ms	100 [888]	5,9 [2]	250P6H20-270 II	69,9 [2.75]
	180	msc.33	235 [2078]	8,8 [3]	250P6H24-180 II	69,9 [2.75]
8	270	ms	95 [843]	8,8 [3]	250P8H20-270 II	69,9 [2.75]
	120	ms	112 [993]	8,8 [3]	250P8H20-120 II	82,6 [3.25]

Other Motions (stops and index periods) available. Contact your DESTACO sales representative for more information.

Features

- Single Input Shaft and Single Output Shaft
- Output horizontal even with input Mounting
- R180 Reducer (ratios from 15:1 to 60:1)
 - Double Extended Worm (input) Shaft
 - Worm Shaft Handwheel
- 1/3 or 1 HP AC Drive Package with Inverter Duty Motor and Inverter Drive (up to 60 cpm)
- Single Cycle Cam and Limit Switch

Output Load Capacity (loads carried during index):

Radial	1406 N [316 lbs]
Thrust/Axial	1397 N [314 lbs]
Moment	45 N-m [395 in-lb]

Accuracy

±77 arcsec / ±0,028 mm [±.0011 in] at 76,2 mm [3 in] Radius

Repeatability

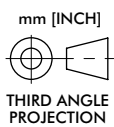
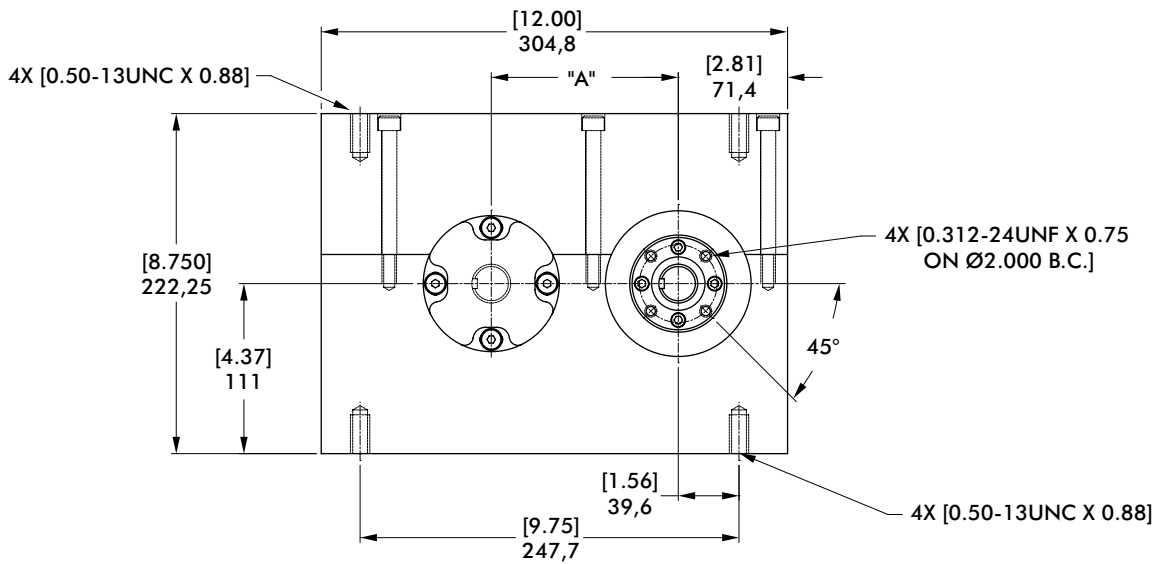
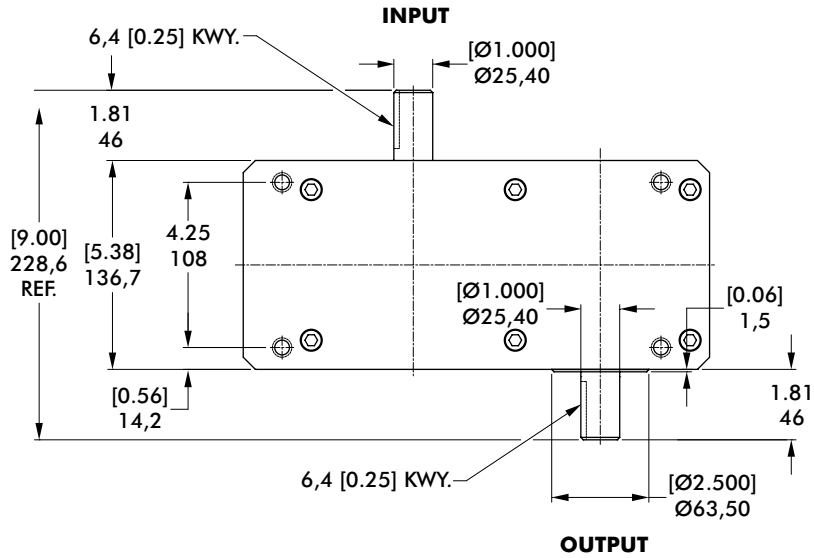
±19 arcsec / ±0,008 mm [±.0003 in] at 76,2 mm [3 in] Radius

Optional Accessories

- 1/3 hp DC motor
- Varipak DC Motor Control (up to 30 cpm)
- R225 Reducer (ratios from 10:1 to 60:1)
 - 1 hp AC or DC drive package
 - 56C Motor Adapter and Coupling
- Output Overload Clutch Models: .39F, .39FC, .39S and .39C, .39C-SD, .39FC-SD, .39S-SD
 - Available Settings (in-lb): 160, 210, 270, 320, 390
- Dual Cycle Cam and Limit Switch
- Oscillating motion
- Double Input Shaft
- Double Output Shaft
- Output and Input Vertical Mounting

387P SERIES

Parallel Shaft/Flange Drives | Dimensions



387P Indexer Capacities						
Stops	Index Period	Motion	B ₀ Capacity at 50 RPM N-m [in-lb]	Internal Inertia kg-cm ² [lb-in ²]	Model	"A" Center mm [in]
1	300	msc.66	156 [1385]	41,0 [14]	387P1H28-300	122,22 [4.812]
1.33	315	msc.10	120 [1062]	38,0 [13]	387P1.33H28-315	122,22 [4.812]
1.5	300	ms	124 [1099]	38,0 [13]	387P1.5H28-300	122,22 [4.812]
2	270	msc.33	202 [1788]	41,0 [14]	387P2H32-270	122,22 [4.812]
	180	msc.33	237 [2095]	41,0 [14]	387P2H32-180	122,22 [4.812]
2.67	270	msc.33	245 [2171]	41,0 [14]	387P2.67H28-270 II	122,22 [4.812]
3	270	ms	181 [1601]	38,0 [13]	387P3H28-270	101,60 [4.000]
	120	msc.33	234 [2067]	41,0 [14]	387P3H28-120	122,22 [4.812]
4	270	ms	181 [1605]	41,0 [14]	387P4H28-270	101,60 [4.000]
	90	msc.33	250 [2214]	41,0 [14]	387P4H28-90	122,22 [4.812]
6	270	ms	276 [2445]	38,0 [13]	387P6H28-270 II	101,60 [4.000]
	180	ms	278 [2463]	38,0 [13]	387P6H28-180 II	122,22 [4.812]
8	270	ms	269 [2378]	41,0 [14]	387P8H28-270 II	101,60 [4.000]

Other Motions (stops and index periods) available. Contact your DESTACO sales representative for more information.

Features

- Single Input Shaft and Single Output Shaft
- Output horizontal even with input Mounting
- R225 Reducer (ratios from 10:1 to 60:1)
 - 56C Motor Adapter and Coupling
- 1 HP AC Drive Package with Inverter Duty Motor and Inverter Drive (up to 60 cpm)
- Single Cycle Cam and Limit Switch

Output Load Capacity (loads carried during index):

Radial	3981 N [895 lbs]
Thrust/Axial	2567 N [577 lbs]
Moment	183 N-m [1620 in-lb]

Accuracy

±50 arcsec / ±0,018 mm [±.0007 in] at 76,2 mm [3 in] Radius

Repeatability

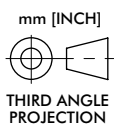
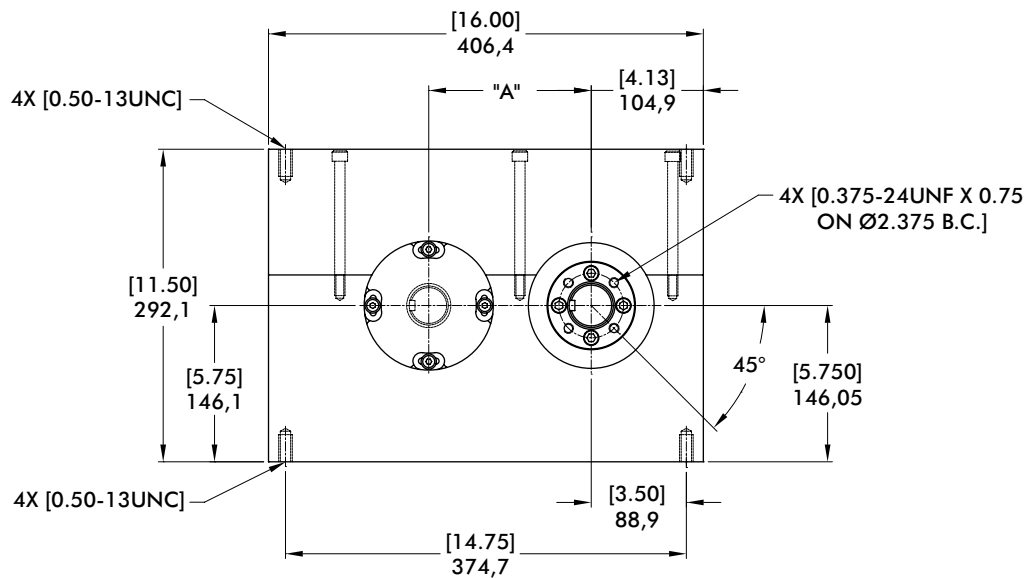
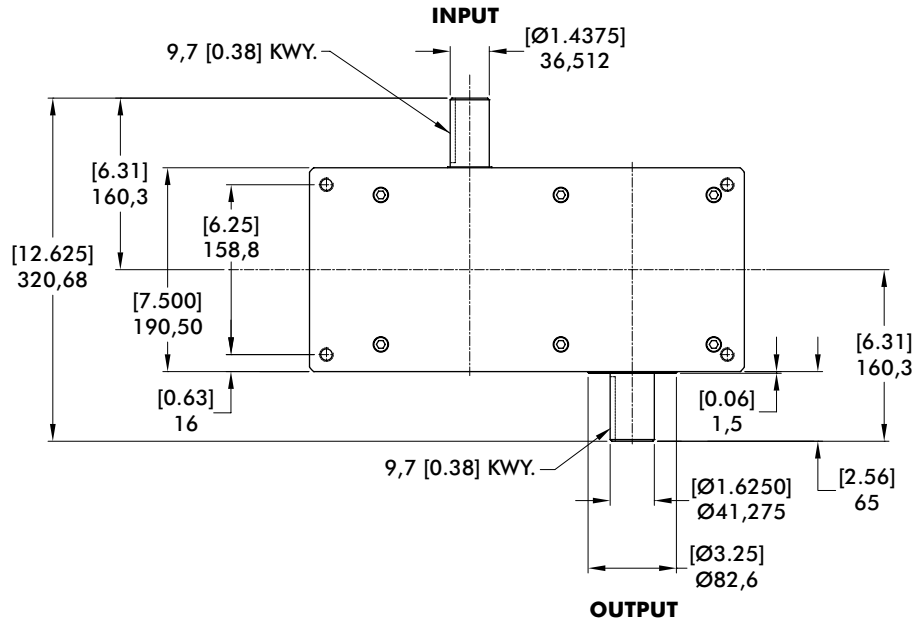
±12 arcsec / ±0,005 mm [±.0002 in] at 76,2 mm [3 in] Radius

Optional Accessories

- 1 hp DC motor
- Varipak DC Motor Control (up to 30 cpm)
- R260 Reducer (ratios from 5:1 to 60:1)
 - 1 hp AC or DC drive package
 - 56C Motor Adapter and Coupling
- Output Overload Clutch Models: 2.3F, 2.3FC, 2.3S and 2.3C, 2.3C-SD, 2.3FC-SD, 2.3S-SD
 - Available Settings (in-lb): 400, 600, 700, 850, 1000, 1300, 1800, 2000, 2300
- Dual Cycle Cam and Limit Switch
- Oscillating motion
- Double Input Shaft
- Double Output Shaft
- Output and Input Vertical Mounting

512P SERIES

Parallel Shaft/Flange Drives | Dimensions



512P Indexer Capacities						
Stops	Index Period	Motion	B ₁₀ Capacity at 50 RPM N-m [in-lb]	Internal Inertia kg-cm ² [lb-in ²]	Model	"A" Center mm [in]
1	330	msc.75	728 [6441]	184,4 [63]	512P1H48-330	151,87 [5.979]
1.33	330	msc.33	557 [4928]	178,5 [61]	512P1.33H48-330	151,87 [5.979]
1.5	330	ms	549 [4860]	184,4 [63]	512P1.5H48-330	151,87 [5.979]
	270	msc.33	494 [4373]	178,5 [61]	512P2H40-270	151,87 [5.979]
2	180	msc.50	612 [5416]	178,5 [61]	512P2H40-180	151,87 [5.979]
	120	msc.50	467 [4131]	178,5 [61]	512P2H40-120	151,87 [5.979]
3	300	msc.33	804 [7116]	178,5 [61]	512P2.67H40-300 II	151,87 [5.979]
	180	ms	617 [5462]	163,9 [56]	512P3H40-180	151,87 [5.979]
4	270	ms	635 [5619]	178,5 [61]	512P4H40-270	123,39 [4.858]
	120	ms	706 [6252]	178,5 [61]	512P4H40-120	151,87 [5.979]
6	270	ms	939 [8315]	163,9 [56]	512P6H40-270 II	123,39 [4.858]
	180	ms	933 [8261]	163,9 [56]	512P6H40-180 II	151,87 [5.979]
8	270	ms	948 [8387]	178,5 [61]	512P8H40-270 II	123,39 [4.858]
	180	ms	892 [7894]	178,5 [61]	512P8H40-180 II	151,87 [5.979]

Other Motions (stops and index periods) available. Contact your DESTACO sales representative for more information.

Features

- Single Input Shaft and Single Output Shaft
- Output horizontal even with input Mounting
- R225 Reducer (ratios from 10:1 to 60:1)
 - 56C Motor Adapter and Coupling
- 1 HP AC Drive Package with Inverter Duty Motor and Inverter Drive (up to 60 cpm)
- Single Cycle Cam and Limit Switch

Output Load Capacity (loads carried during index):

Radial	12077 N [2715 lbs]
Thrust/Axial	6112 N [1374 lbs]
Moment	785 N-m [6951 in-lb]

Accuracy

±37 arcsec / ±0,013 mm [±.0005 in] at 76,2 mm [3 in] Radius

Repeatability

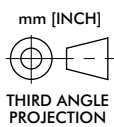
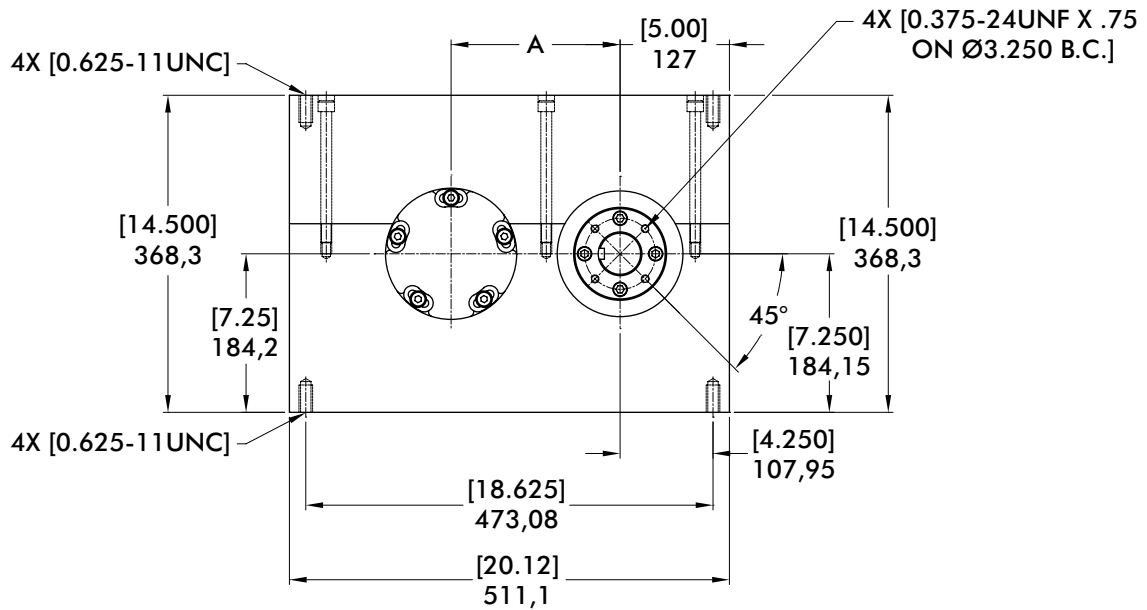
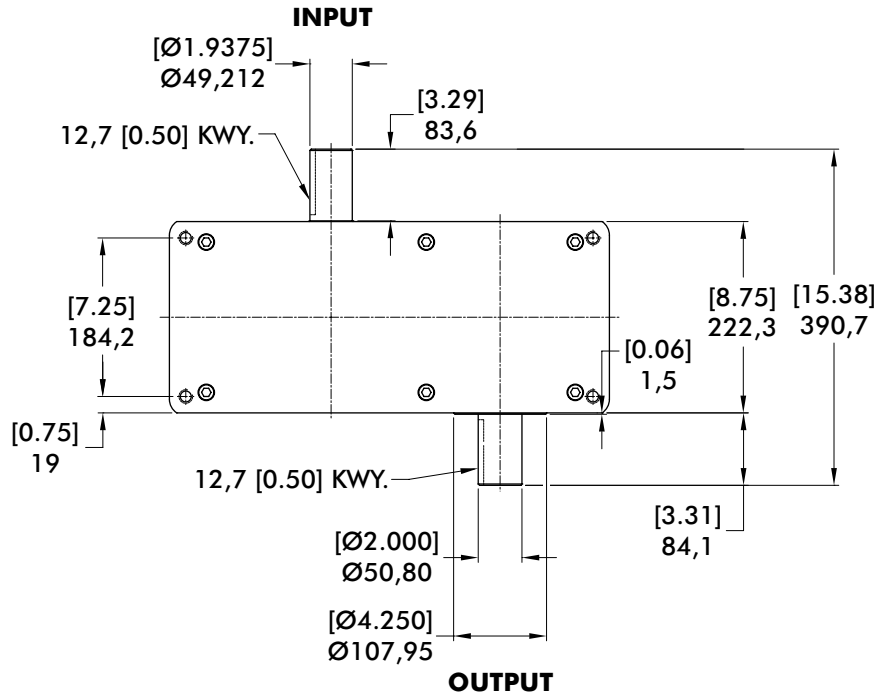
±9 arcsec / ±0,003 mm [±.0001 in] at 76,2 mm [3 in] Radius

Optional Accessories

- 1 hp DC motor
- Varipak DC Motor Control (up to 30 cpm)
- R260 Reducer (ratios from 5:1 to 60:1)
 - 1 hp AC or DC drive package
 - 56C Motor Adapter and Coupling
- Output Overload Clutch Models: 6.0F, 6.0FC, 6.0S and 6.0C, 6.0C-SD, 6.0FC-SD, 6.0S-SD
 - Available Settings (in-lb): 670, 825, 1100, 1400, 1700, 2000, 2300, 2500, 3000, 3800, 4000, 5000, 6000
- Dual Cycle Cam and Limit Switch
- Oscillating motion
- Double Input Shaft
- Double Output Shaft
- Output and Input Vertical Mounting

662P SERIES

Parallel Shaft/Flange Drives | Dimensions



662P Indexer Capacities						
Stops	Index Period	Motion	B ₁₀ Capacity at 50 RPM N-m [in-lb]	Internal Inertia kg-cm ² [lb-in ²]	Model	"A" Center mm [in]
1	330	msc.50	658 [5824]	403,8 [138]	662P1H48-330	196,32 [7.729]
1.33	330	msc.20	1171 [10368]	971,6 [332]	662P1.33H64-330	196,32 [7.729]
1.5	270	msc.33	1425 [12617]	895,5 [306]	662P1.5H64-270	196,32 [7.729]
2	270	msc.33	770 [6811]	529,7 [181]	662P2H48-270	196,32 [7.729]
	180	msc.50	1329 [11760]	597,0 [204]	662P2H56-180	196,32 [7.729]
3	270	ms	954 [8446]	485,8 [166]	662P3H48-270	168,35 [6.628]
	180	ms	961 [8506]	485,8 [166]	662P3H48-180	196,32 [7.729]
4	270	ms	989 [8752]	529,7 [181]	662P4H48-270	168,35 [6.628]
	120	ms	1100 [9738]	529,7 [181]	662P4H48-120	196,32 [7.729]
6	270	ms	1463 [12946]	485,8 [166]	662P6H48-270 II	168,35 [6.628]
	180	ms	1453 [12863]	485,8 [166]	662P6H48-180 II	196,32 [7.729]
8	270	ms	1476 [13060]	529,7 [181]	662P8H48-270 II	168,35 [6.628]
	120	msc.33	1783 [15780]	529,7 [181]	662P8H48-120	196,32 [7.729]

Other Motions (stops and index periods) available. Contact your DESTACO sales representative for more information.

Features

- Single Input Shaft and Single Output Shaft
- Output horizontal even with input Mounting
- R225 Reducer (ratios from 10:1 to 60:1)
 - 56C Motor Adapter and Coupling
- 1 HP AC Drive Package with Inverter Duty Motor and Inverter Drive (up to 60 cpm)
- Single Cycle Cam and Limit Switch

Output Load Capacity (loads carried during index):

Radial	17415 N [3915 lbs]
Thrust/Axial	9083 N [2042 lbs]
Moment	1464 N-m [12959 in-lb]

Accuracy

±36 arcsec / ±0,025 mm [±.001 in] at 76,2 mm [3 in] Radius

Repeatability

±9 arcsec / ±0,008 mm [±.0003 in] at 152,4 mm [6 in] Radius

Optional Accessories

- 7350C or 7400C Reducer (ratios from 5:1 to 60:1) with Motor Adapter and Coupling
- 1 hp DC Motor
- Output Overload Clutch Models: 11F, 11FC, 11FC-SD
 - Available Settings (in-lb): 2300, 4000, 6000, 8500, 11000
- Dual Cycle Cam and Limit Switch
- Electric Clutch-Brake
- Air Clutch-Brake
- Oscillating motion
- Double Input Shaft
- Double Output Shaft
- Output and Input Vertical Mounting