

PRECISION INDEXING SOLUTIONS

Table of Contents

INDEXERS

Servo Positioners



GTB Series
Globoidal (Roller Gear)
Servo Positioner.....IN-SRV-1



RSD Series
Rotary Servo Drives.....IN-SRV-39

Mechanical Indexers



RDM Series
Rotary Index Drive IN-MCH-2



RD Series
Roller Dial Index Drive..... IN-MCH-18



E Series
Heavy-Duty Index Drive IN-MCH-30



RA Series
Right Angle Index Drive IN-MCH-42



RGD/RGS Series
Roller Gear Index Drive IN-MCH-52



P Series
Parallel Shaft/Flange Drive.... IN-MCH-72



RNG Series
Ring Drive Dial Indexer.....IN-MCH-84

OVERLOAD CLUTCHES



Overload Clutches
Output Overload..... IN-CLU-1

CUSTOM CAMS



Custom Cams
Cam Design Solutions IN-CAM-1

CONVEYORS



Rite-Link Series
Thin-Profile.....IN-CNV-1



Precision Link Series
Table-TopIN-CNV-4



Precision Link Series
Heavy-Duty IN-CNV-16

PARTS HANDLERS



LPP Series
Linear Part Handlers IN-PRT-2



RPP Series
Rotary Part Handlers IN-PRT-8

ROLLER GEAR INDEX DRIVE

Precision Indexing | Table of Contents



Features:

The **CAMCO Roller Gear Index Drives** are robust, versatile units suitable for a wide variety of applications.

Available with a flange (RGD) or shaft (RGS) output

All six surfaces are machined for universal mounting

Optional center thru-hole in flange version facilitates passage of electrical wiring, pneumatic lines or mechanical linkages

Short camshaft motion periods, due to oversized cam design, are well suited for continuous running applications or for special motion requirements such as oscillating motions

Table of Contents

How to Order	3
40RGD/40RGS	5
50RGD/50RGS	7
70RGD/70RGS	9
80RGD/80RGS	11
110RGD/110RGS	13
350RGD/350RGS	15
500RGD/500RGS	17
600RGD/600RGS	19

RGD/RGS SERIES

Roller Gear Index Drive | How To Order

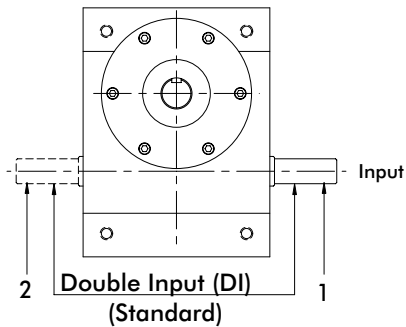
Indexer Ordering Procedure

1. Model
 2. Input Shaft Configuration
 - Side 1
 - Side 2
 - Double Input – DI (Standard)
 3. Cam Lead (Helix)
 - Right Hand (Standard)
 - Left Hand
- NOTE: Input may rotate in either direction to achieve desired direction of output rotation.
4. Indexer Mounting Position: 1-6
 5. Indexer Housing Mounting Holes: Side 1-6 (more than one side can be selected)

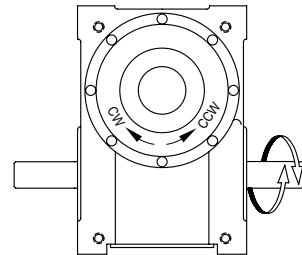
Reducer Ordering Procedure

1. Model
2. Ratio
 - 10:1, 15:1, 20:1, 25:1, 30:1, 40:1, 50:1, 60:1
3. Motor Adapter
4. Reducer Input Shaft Extension
 - Single Input (SE) or Double Input (DE)
5. Mounting
 - Mounting Position A, B, C, or D
 - Mounted on Indexer Side 1 or Side 2
6. Input Shaft Orientation
 - Left or Right (See Diagram Below)

Input Shaft Configuration (Top View)



Input Shaft Rotation

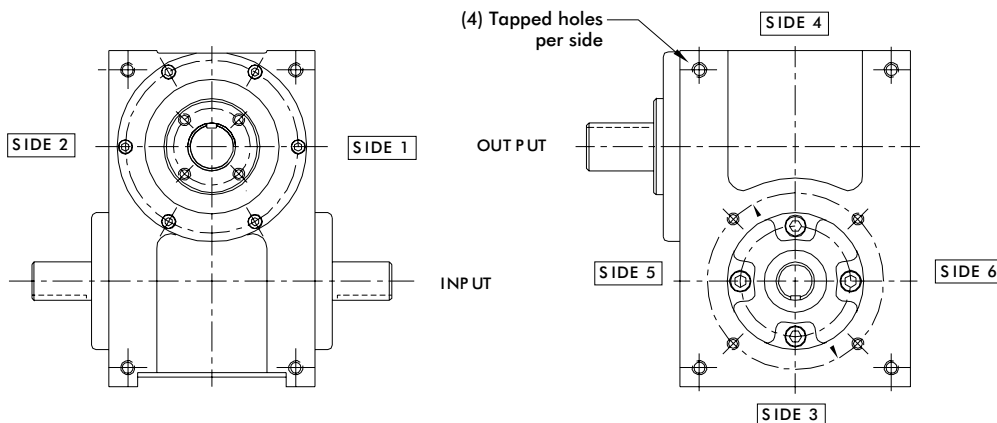


Relative Rotation for Right Hand Cam:

- CW Input Side 1 CCW Output
- CCW Input Side 2 CCW Output

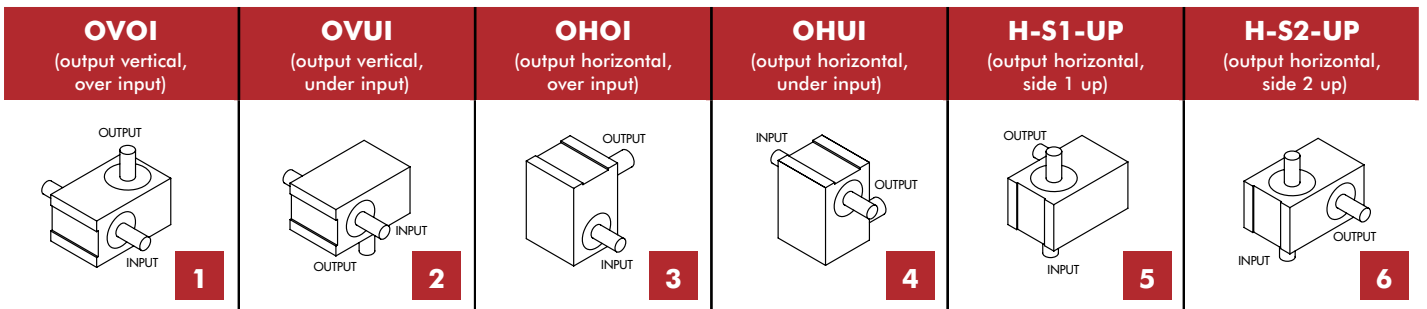
NOTE: Input can be driven in either direction

Indexer Housing Mounting Holes

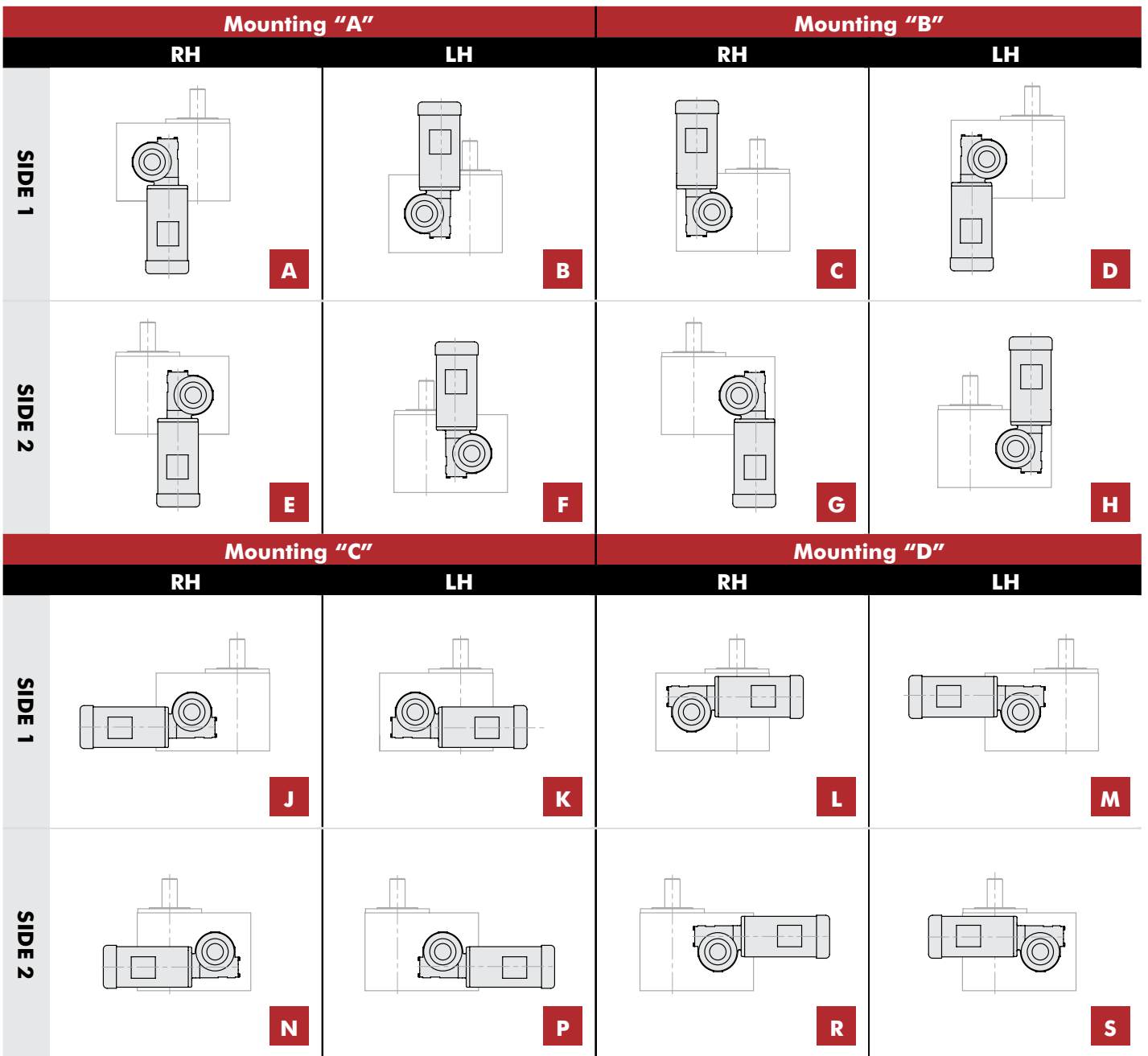


RGD/RGS SERIES

Roller Gear Index Drive | Indexer Mounting Position



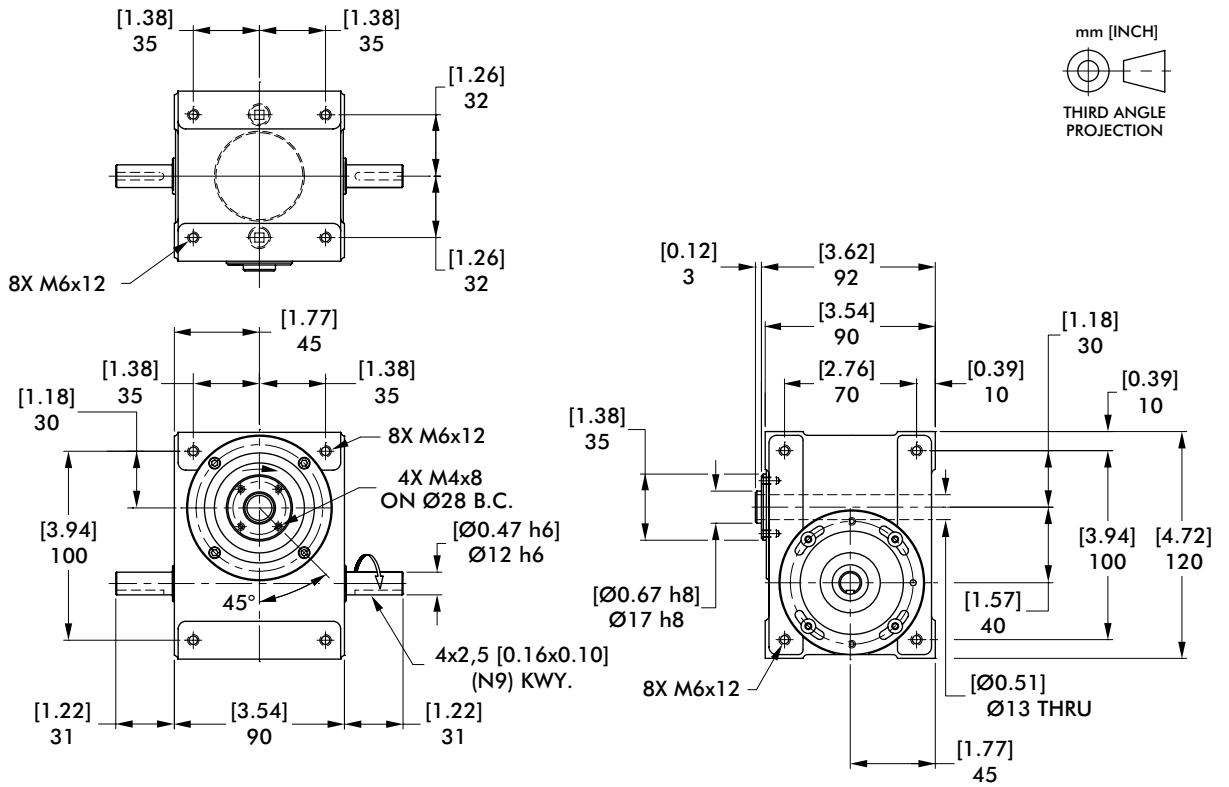
Gear Reducer Mounting Positions (Figure 4)



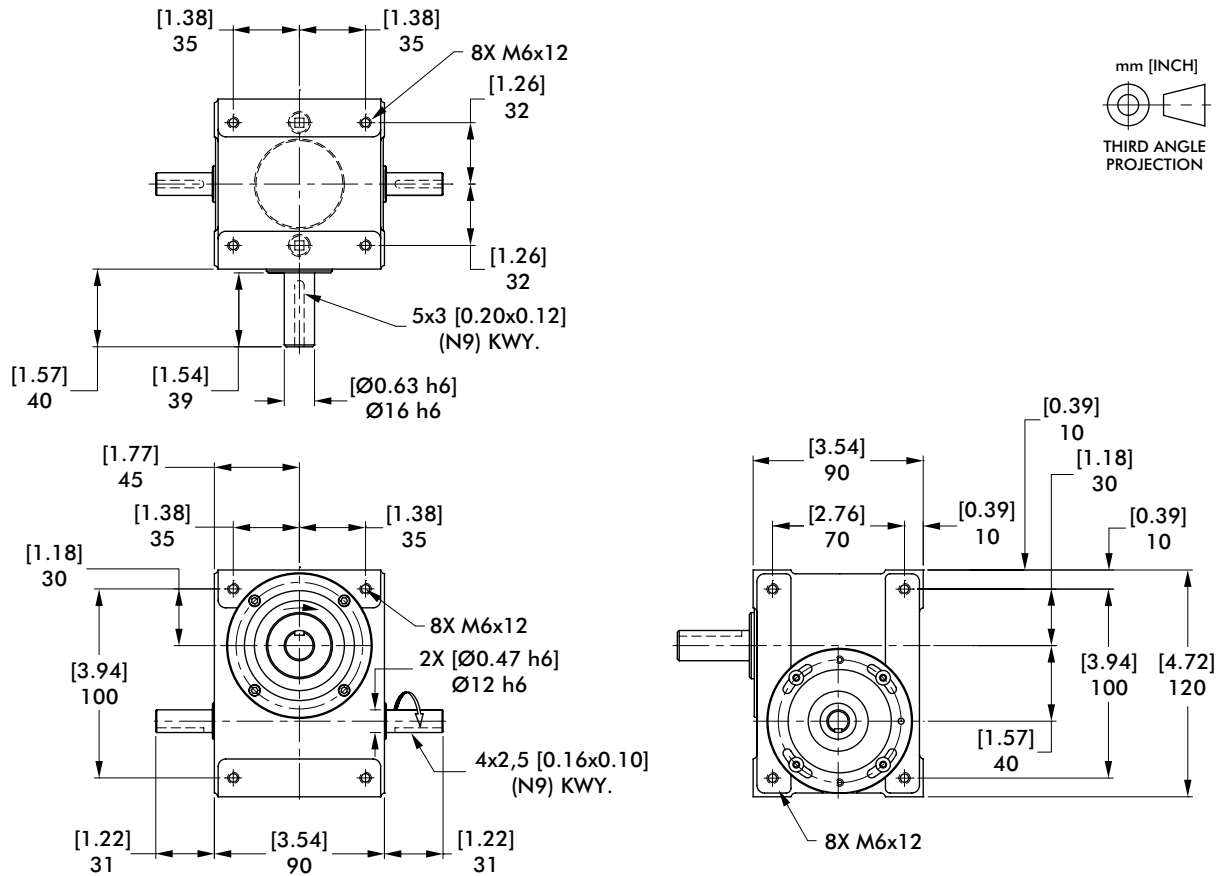
40RGD/40RGS SERIES

Roller Gear Index Drive | Dimensions

40RGD



40RGS



40RGD/40RGS SERIES

Roller Gear Index Drive | Features | Optional Accessories | Technical Information

40RGD/40RGS Indexer Capacities						
Stops	Index Period	Motion	B ₁₀ Capacity at 50 RPM N-m [in-lb]	RGD Internal Inertia kg-cm ² [lb-in ²]	RGS Internal Inertia kg-cm ² [lb-in ²]	Model
2	270	ms	17 [150]	0,9 [0.3]	1,2 [0.4]	40RG(D/S)2H12-270
3	270	ms	21 [187]	0,9 [0.3]	1,2 [0.4]	40RG(D/S)3H12-270
4	270	ms	24 [214]	1,2 [0.4]	1,2 [0.4]	40RG(D/S)4H12-270
	180	ms	25 [225]	1,2 [0.4]	1,2 [0.4]	40RG(D/S)4H12-180
6	270	ms	22 [193]	0,9 [0.3]	1,2 [0.4]	40RG(D/S)6H12-270
	90	ms	24 [216]	0,9 [0.3]	1,2 [0.4]	40RG(D/S)6H12-90
8	270	ms	24 [216]	1,2 [0.4]	1,2 [0.4]	40RG(D/S)8H12-270
	90	ms	28 [249]	1,2 [0.4]	1,2 [0.4]	40RG(D/S)8H12-90
12	270	ms	14 [124]	0,9 [0.3]	1,2 [0.4]	40RG(D/S)12H9-270
	90	ms	16 [139]	0,9 [0.3]	1,2 [0.4]	40RG(D/S)12H9-90
16	270	ms	29 [254]	1,2 [0.4]	1,2 [0.4]	40RG(D/S)16H12-270 II
	120	ms	35 [312]	1,2 [0.4]	1,2 [0.4]	40RG(D/S)16H12-120 II
24	180	ms	20 [173]	0,9 [0.3]	1,2 [0.4]	40RG(D/S)24H9-180 II
	120	ms	37 [326]	0,9 [0.3]	1,2 [0.4]	40RG(D/S)24H12-120 III

Other Motions (stops and index periods) available. Contact your DESTACO sales representative for more information.

Features

- Fully Metric
- Universal Mounting: mounting holes on any of 6 sides
- Center Through Hole (Ø13 mm [Ø.50 in]) in RGD model.
- Right Hand Cam

Output Load Capacity (loads carried during index):

	RGD	RGS
Radial	4924 N [1107 lbs]	916 N [206 lbs]
Thrust/Axial	3519 N [791 lbs]	2189 N [492 lbs]
Moment	86 N-m [762 in-lb]	46 N-m [405 in-lb]

Accuracy ±90 arcsec / ±0,033 mm [±.0013 in] at 76,2 mm [3 in] Radius

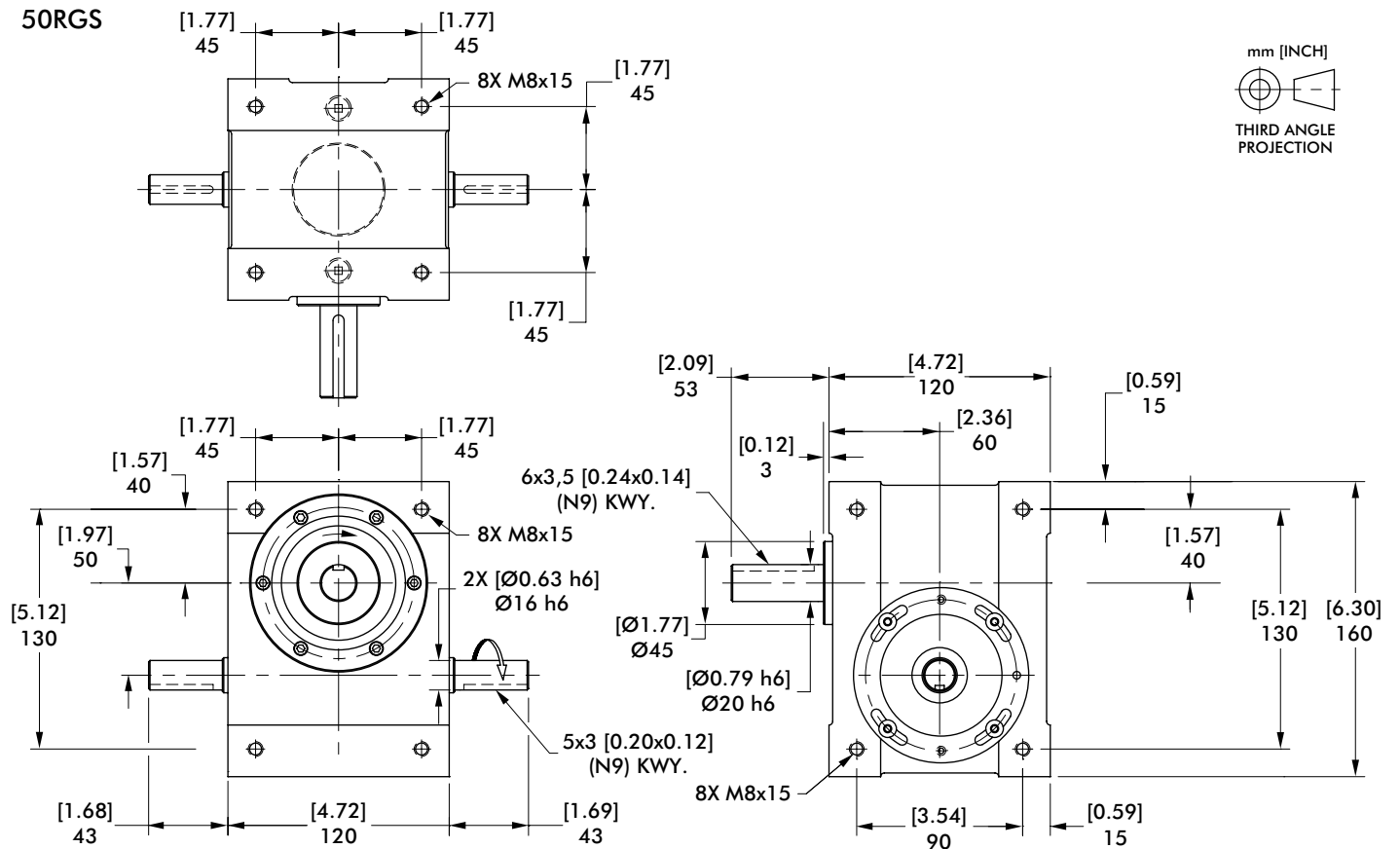
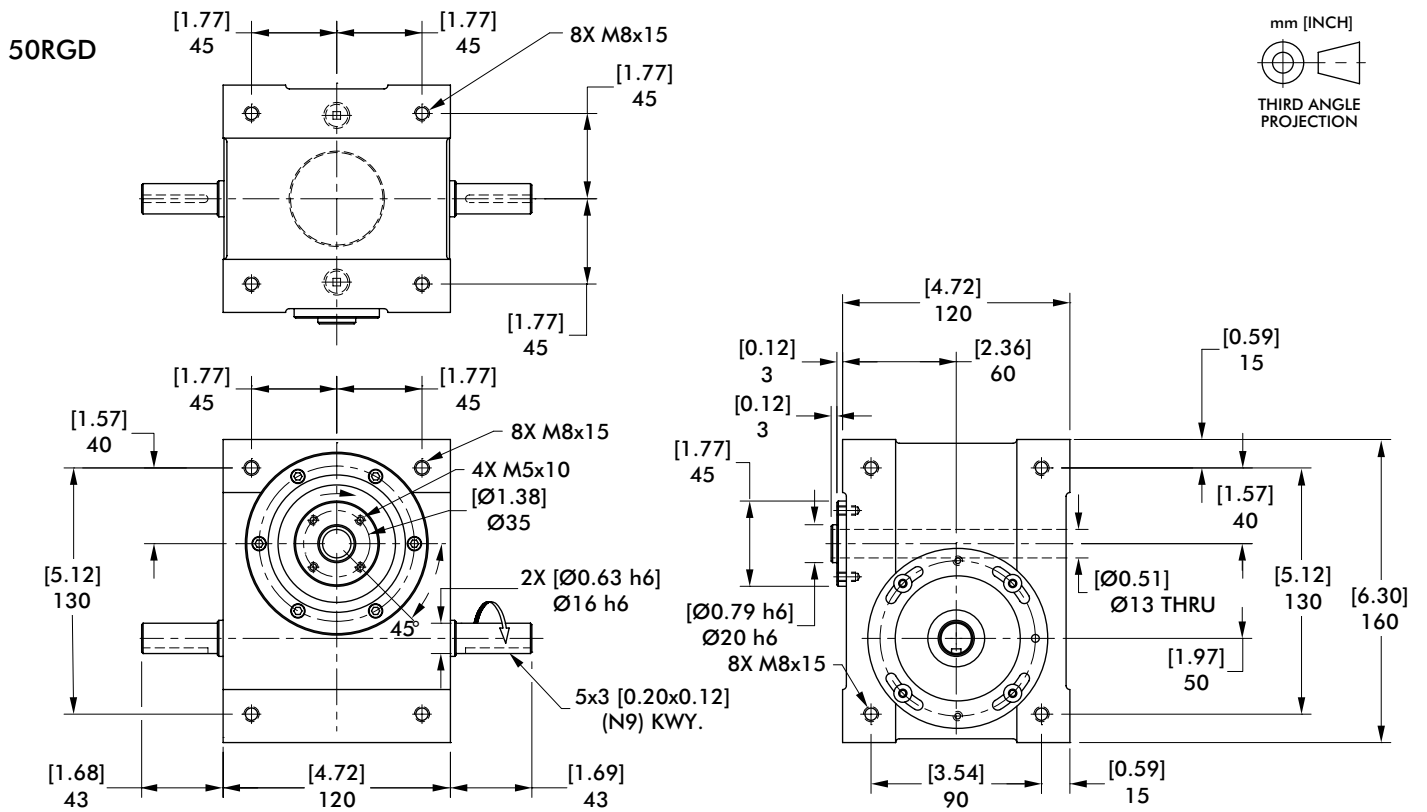
Repeatability ±22 arcsec / ±0,008 mm [±.0003 in] at 76,2 mm [3 in] Radius

Optional Accessories

- STM RMI28 Gear Reducer (ratios from 7:1 to 100:1) with
 - IEC56B14 Motor Adapter
 - 1/12 HP AC Motor and Inverter Drive (up to 60 cpm)
- Single or Dual Cycle Cam and Limit Switch
- Left Hand Cam
- Relief in Dwell for shot-pin applications

50RGD/50RGS SERIES

Roller Gear Index Drive | Dimensions



50RGD/50RGS SERIES

Roller Gear Index Drive | Features | Optional Accessories | Technical Information

40RGD/40RGS Indexer Capacities						
Stops	Index Period	Motion	B ₁₀ Capacity at 50 RPM N-m [in-lb]	RGD Internal Inertia kg-cm ² [lb-in ²]	RGS Internal Inertia kg-cm ² [lb-in ²]	Model
2	270	msc.50	70 [621]	4,1 [1.4]	4,7 [1.6]	50RG(D/S)2H18-270
3	270	ms	32 [287]	3,8 [1.3]	4,4 [1.5]	50RG(D/S)3H14-270
	180	ms	34 [300]	3,8 [1.3]	4,4 [1.5]	50RG(D/S)3H14-180
4	270	ms	37 [326]	4,1 [1.4]	4,4 [1.5]	50RG(D/S)4H14-270
	180	ms	40 [351]	4,1 [1.4]	4,4 [1.5]	50RG(D/S)4H14-180
6	270	ms	68 [606]	4,1 [1.4]	4,7 [1.6]	50RG(D/S)6H18-270
	90	ms	83 [734]	4,1 [1.4]	4,7 [1.6]	50RG(D/S)6H18-90
8	270	ms	38 [336]	4,1 [1.4]	4,4 [1.5]	50RG(D/S)8H14-270
	90	ms	46 [403]	4,1 [1.4]	4,4 [1.5]	50RG(D/S)8H14-90
12	270	ms	31 [275]	4,1 [1.4]	4,4 [1.5]	50RG(D/S)12H12-270
	90	ms	37 [329]	4,1 [1.4]	4,4 [1.5]	50RG(D/S)12H12-90
16	180	ms	51 [447]	4,1 [1.4]	4,4 [1.5]	50RG(D/S)16H14-180 II
24	180	ms	42 [374]	4,1 [1.4]	4,4 [1.5]	50RG(D/S)24H12-180 II
	120	ms	46 [409]	4,1 [1.4]	4,4 [1.5]	50RG(D/S)24H12-120 II

Other Motions (stops and index periods) available. Contact your DESTACO sales representative for more information.

Features

- Fully Metric
- Universal Mounting: mounting holes on any of 6 sides
- Center Through Hole (Ø15 mm [Ø.59 in]) in RGD model.
- Right Hand Cam

Output Load Capacity (loads carried during index):

	RGD	RGS
Radial	7896 N [1775 lbs]	1686 N [379 lbs]
Thrust/Axial	4115 N [925 lbs]	2424 N [545 lbs]
Moment	178 N-m [1572 in-lb]	89 N-m [791 in-lb]

Accuracy ±73 arcsec / ±0,028 mm [±.0011 in] at 76,2 mm [3 in] Radius

Repeatability ±18 arcsec / ±0,008 mm [±.0003 in] at 76,2 mm [3 in] Radius

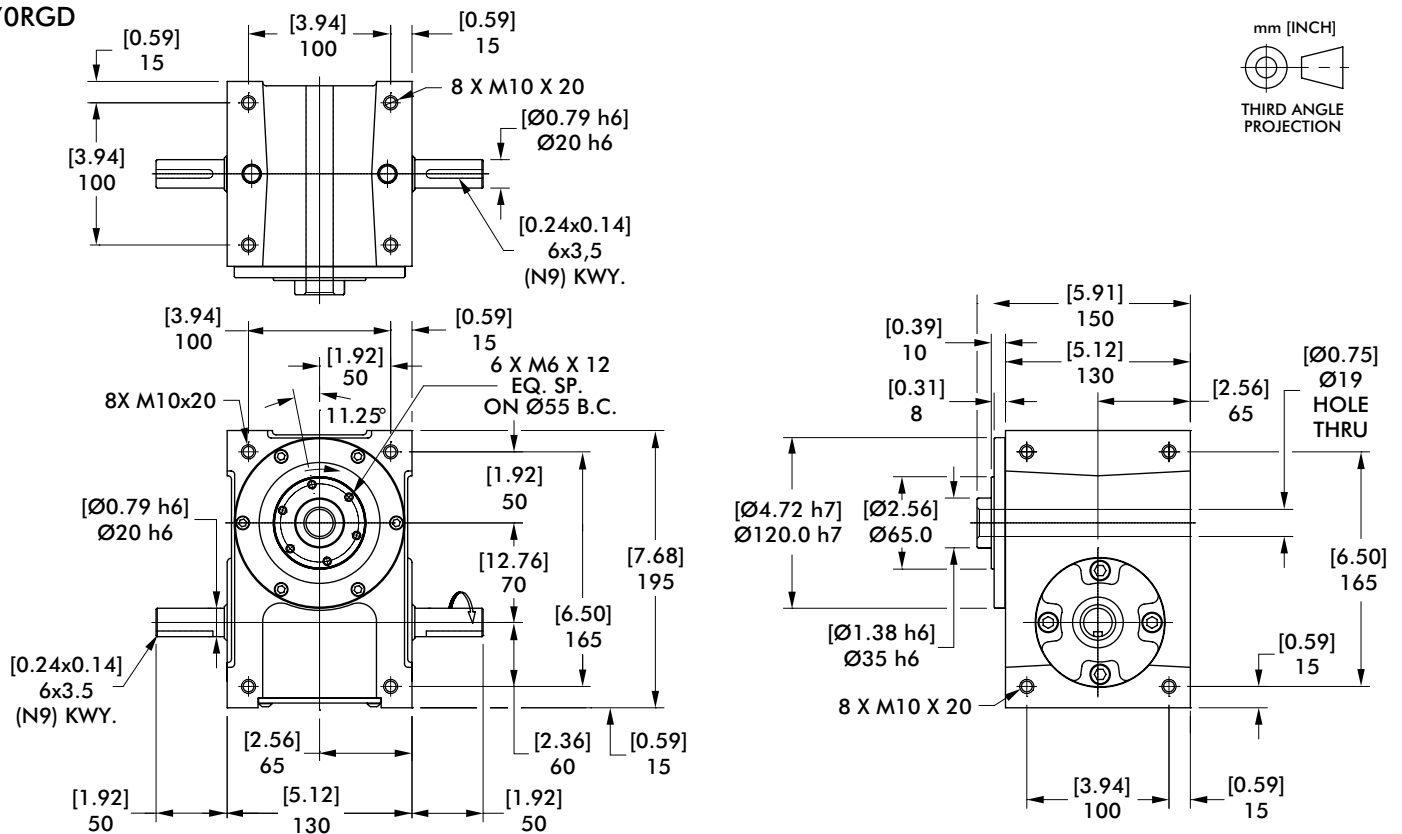
Optional Accessories

- R180 Reducer (Ratios from 15:1 to 60:1)
 - Double Extended Worm Shaft (Input)
 - Worm Shaft Handwheel
- 1/3 HP AC Drive Package with Inverter Duty Motor and IM-pAC AC Drive (up to 60 cpm)
- Cycle Cam and Limit Switch Mounted to Camshaft
- Right Hand Cam
- Universal Mounting Capability

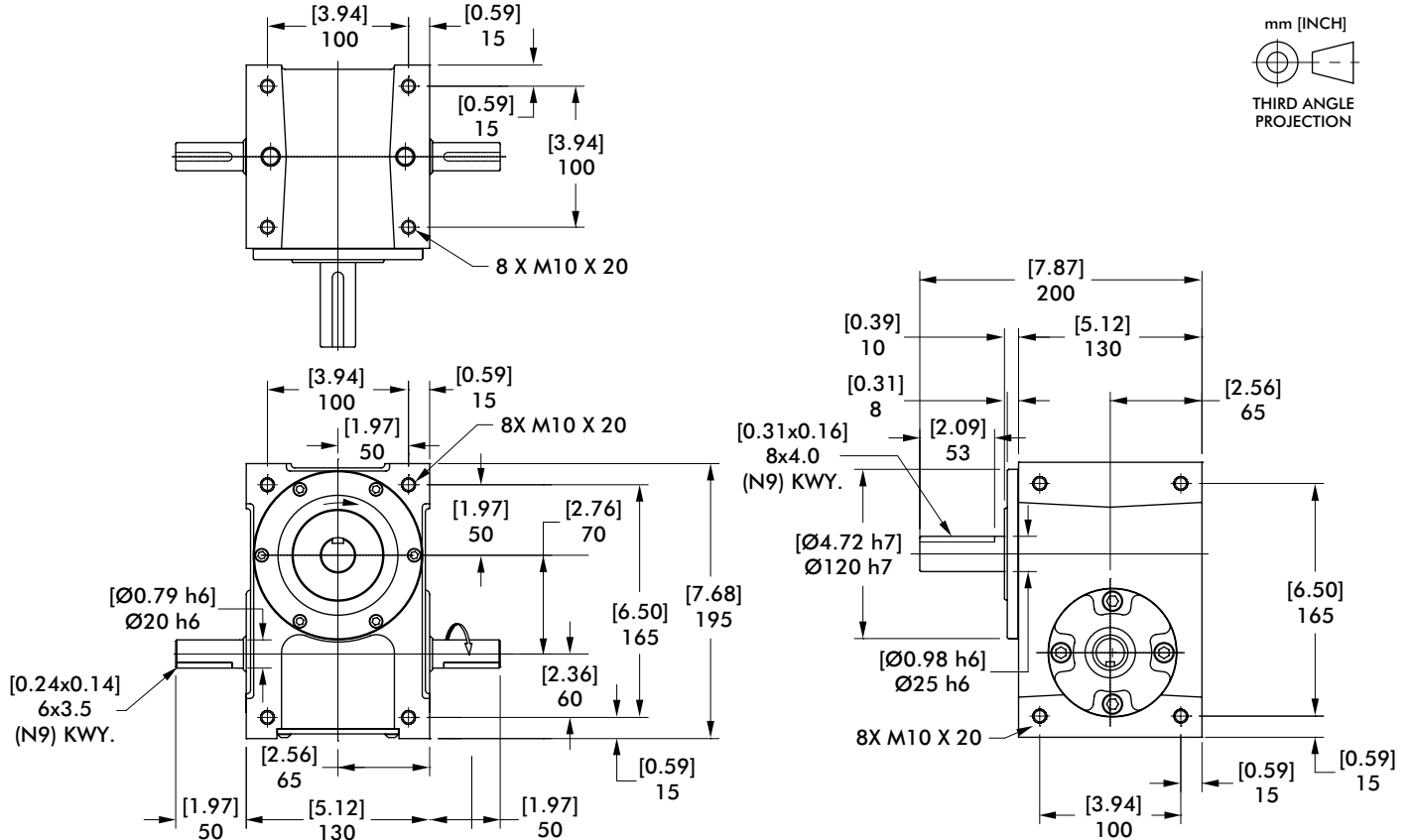
70RGD/70RGS SERIES

Roller Gear Index Drive | Dimensions

70RGD



70RGS



70RGD/70RGS SERIES

Roller Gear Index Drive | Features | Optional Accessories | Technical Information

40RGD/40RGS Indexer Capacities						
Stops	Index Period	Motion	B ₁₀ Capacity at 50 RPM N-m [in-lb]	RGD Internal Inertia kg-cm ² [lb-in ²]	RGS Internal Inertia kg-cm ² [lb-in ²]	Model
2	270	ms	66 [585]	20,5 [7]	23,4 [8]	70RG(D/S)2H20-270
	180	ms	63 [562]	20,5 [7]	23,4 [8]	70RG(D/S)2H18-180
3	270	ms	81 [720]	20,5 [7]	23,4 [8]	70RG(D/S)3H20-270
	180	ms	85 [753]	20,5 [7]	23,4 [8]	70RG(D/S)3H20-180
4	270	ms	93 [821]	26,3 [9]	29,3 [10]	70RG(D/S)4H20-270
	120	mssc,33	125 [1107]	29,3 [10]	29,3 [10]	70RG(D/S)4H18-120
6	270	ms	159 [1406]	26,3 [9]	29,3 [10]	70RG(D/S)6H24-270
	90	mssc,33	238 [2110]	26,3 [9]	29,3 [10]	70RG(D/S)6H24-90
8	270	ms	96 [853]	26,3 [9]	29,3 [10]	70RG(D/S)8H20-270
	90	ms	120 [1063]	26,3 [9]	29,3 [10]	70RG(D/S)8H20-90
12	270	ms	53 [470]	29,3 [10]	29,3 [10]	70RG(D/S)12H14-270
	90	ms	66 [584]	29,3 [10]	29,3 [10]	70RG(D/S)12H14-90
24	180	ms	72 [635]	29,3 [10]	29,3 [10]	70RG(D/S)24H14-180 II

Other Motions (stops and index periods) available. Contact your DESTACO sales representative for more information.

Features

- Fully Metric
- Universal Mounting: mounting holes on any of 6 sides
- Center Through Hole (Ø19 mm [Ø.75 in]) in RGD model.
- Right Hand Cam

Output Load Capacity (loads carried during index):

	RGD	RGS
Radial	12602 N [2833 lbs]	2491 N [560 lbs]
Thrust/Axial	9893 N [2224 lbs]	3567 N [802 lbs]
Moment	410 N-m [3626 in-lb]	175 N-m [1545 in-lb]

Accuracy ±50 arcsec / ±0,020 mm [±.0008 in] at 76,2 mm [3 in] Radius

Repeatability ±13 arcsec / ±0,005 mm [±.0002 in] at 76,2 mm [3 in] Radius

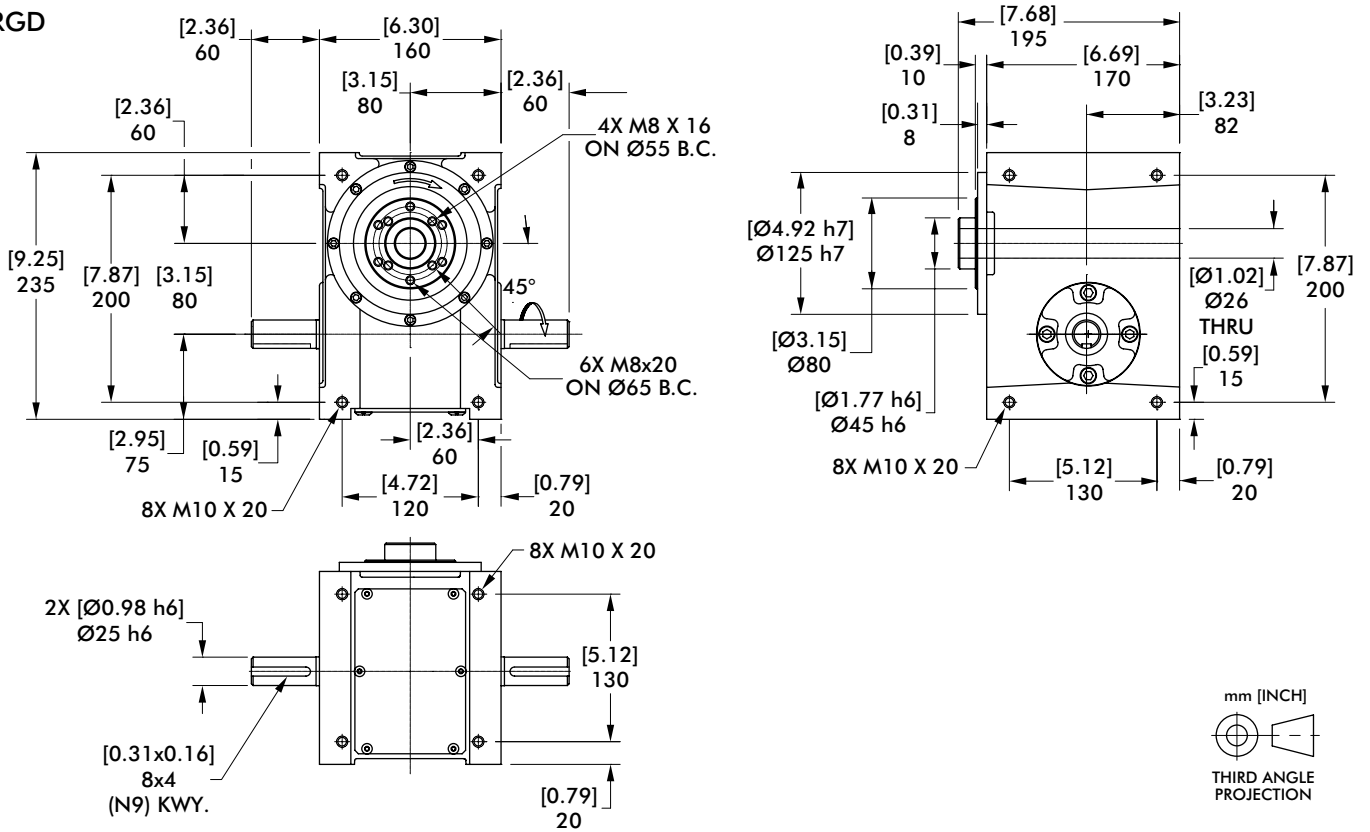
Optional Accessories

- R180 Reducer (Ratios from 5:1 to 60:1)
- 1/3 HP AC Drive Package with Inverter Duty Motor and Inverter Drive (up to 60 cpm)
- 1/3 HP DC Motor with Varipak DC Motor Control (up to 30 cpm)
- Single or Dual Cycle Cam and Limit Switch
- Left Hand Cam
- Relief in Dwell for shot-pin applications

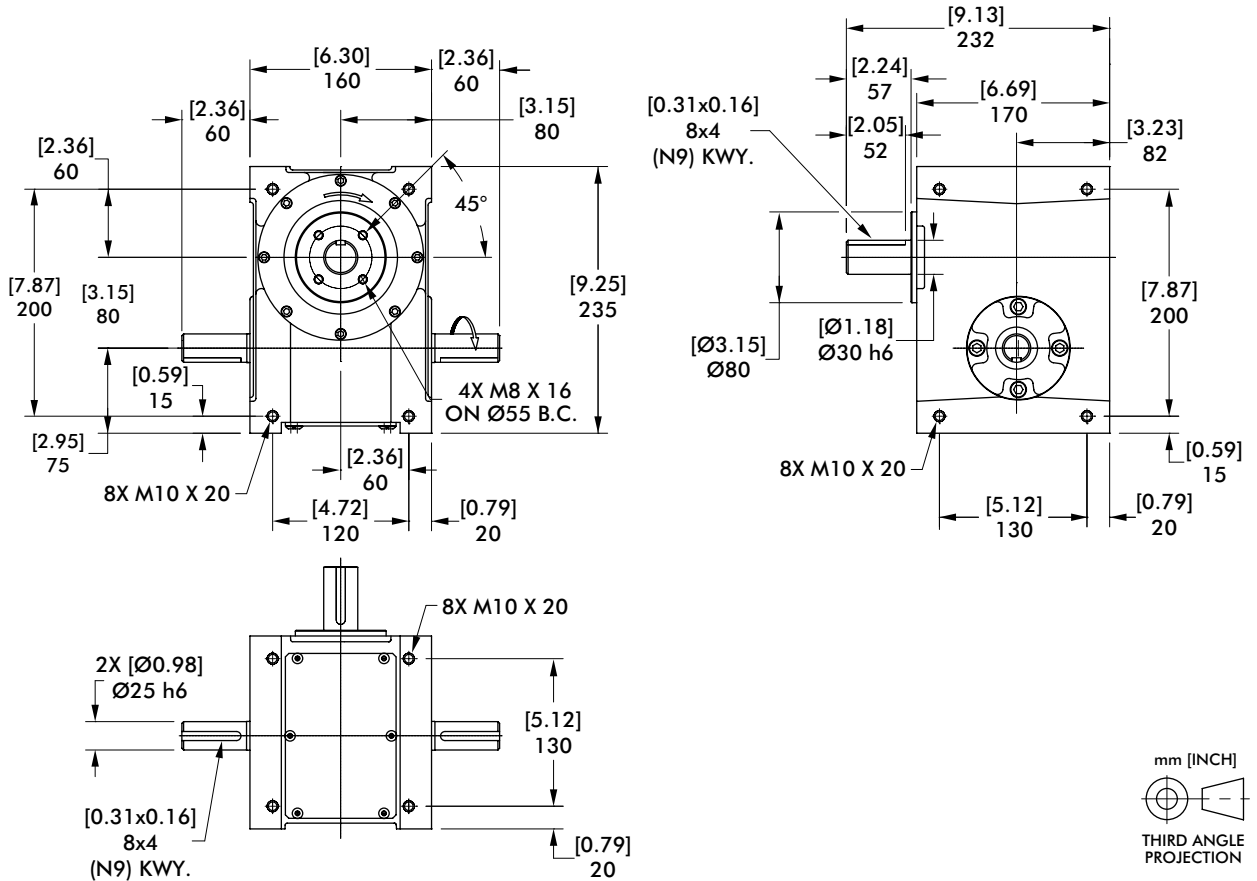
80RGD/80RGS SERIES

Roller Gear Index Drive | Dimensions

80RGD



80RGS



80RGD/80RGS SERIES

Roller Gear Index Drive | Features | Optional Accessories | Technical Information

40RGD/40RGS Indexer Capacities						
Stops	Index Period	Motion	B ₁₀ Capacity at 50 RPM N-m [in-lb]	RGD Internal Inertia kg-cm ² [lb-in ²]	RGS Internal Inertia kg-cm ² [lb-in ²]	Model
2	330	ms	129 [1144]	46,8 [16]	49,7 [17]	80RG(D/S)2H24-330
	270	msc.33	157 [1388]	46,8 [16]	49,7 [17]	80RG(D/S)2H24-270
3	270	ms	161 [1422]	46,8 [16]	49,7 [17]	80RG(D/S)3H24-270
	180	ms	171 [1513]	46,8 [16]	49,7 [17]	80RG(D/S)3H24-180
4	270	ms	188 [1663]	61,5 [21]	61,5 [21]	80RG(D/S)4H24-270
	180	msc.33	269 [2377]	61,5 [21]	61,5 [21]	80RG(D/S)4H24-180
6	270	ms	172 [1524]	52,7 [18]	55,6 [19]	80RG(D/S)6H28-270
	90	msc.50	262 [2323]	52,7 [18]	55,6 [19]	80RG(D/S)6H28-90
8	270	ms	196 [1733]	61,5 [21]	61,5 [21]	80RG(D/S)8H24-270
	90	msc.33	332 [2937]	61,5 [21]	61,5 [21]	80RG(D/S)8H24-90
12	270	ms	114 [1011]	58,5 [20]	58,5 [20]	80RG(D/S)12H18-270
	90	msc.60	195 [1725]	58,5 [20]	58,5 [20]	80RG(D/S)12H18-90

Other Motions (stops and index periods) available. Contact your DESTACO sales representative for more information.

Features

- Fully Metric
- Universal Mounting: mounting holes on any of 6 sides
- Center Through Hole (Ø26 mm [Ø1.02 in]) in RGD model.
- Right Hand Cam

Output Load Capacity (loads carried during index):

	RGD	RGS
Radial	21,307 N [4790 lbs]	5289 N [1189 lbs]
Thrust/Axial	15435 N [3470 lbs]	5542 N [1246 lbs]
Moment	852 N-m [7544 in-lb]	302 N-m [2669 in-lb]

Accuracy ±48 arcsec / ±0,018 mm [±.0007 in] at 76,2 mm [3 in] Radius

Repeatability ±12 arcsec / ±0,005 mm [±.0002 in] at 76,2 mm [3 in] Radius

Optional Accessories

- R180 Reducer (Ratios from 5:1 to 60:1)
- 1/3 HP AC Drive Package with Inverter Duty Motor and Inverter Drive (up to 60 cpm)
- 1/3 HP DC Motor with Varipak DC Motor Control (up to 30 cpm)
- Single or Dual Cycle Cam and Limit Switch
- Left Hand Cam
- Relief in Dwell for shot-pin applications

110RGD/110RGS SERIES

Roller Gear Index Drive | Features | Optional Accessories | Technical Information

110RGD/110RGS Indexer Capacities						
Stops	Index Period	Motion	B ₀ Capacity at 50 RPM N-m [in-lb]	RGD Internal Inertia kg-cm ² [lb-in ²]	RGS Internal Inertia kg-cm ² [lb-in ²]	Model
2	300	msc.33	596 [5271]	149,2 [51]	163,9 [56]	110RG(D/S)2H40-300
	270	msc.50	692 [6126]	149,2 [51]	163,9 [56]	110RG(D/S)2H40-270
3	270	ms	634 [5609]	149,2 [51]	163,9 [56]	110RG(D/S)3H40-270
	180	msc.50	885 [7829]	149,2 [51]	163,9 [56]	110RG(D/S)3H40-180
4	270	ms	371 [3282]	140,5 [48]	161,0 [55]	110RG(D/S)4H32-270
	180	msc.33	469 [4147]	140,5 [48]	161,0 [55]	110RG(D/S)4H32-180
6	270	ms	834 [7378]	152,2 [52]	204,8 [70]	110RG(D/S)6H48-270
	120	msc.33	918 [8127]	149,2 [51]	163,9 [56]	110RG(D/S)6H40-120
8	270	ms	389 [3440]	140,5 [48]	161,0 [55]	110RG(D/S)8H32-270
	120	ms	469 [4149]	140,5 [48]	161,0 [55]	110RG(D/S)8H32-120
12	270	ms	318 [2815]	137,5 [47]	161,0 [55]	110RG(D/S)12H28-270
	120	ms	380 [3367]	131,7 [45]	149,2 [51]	110RG(D/S)12H24-120
16	270	ms	182 [1610]	131,7 [45]	155,1 [53]	110RG(D/S)16H20-270
	120	ms	225 [1992]	131,7 [45]	155,1 [53]	110RG(D/S)16H20-120
24	270	ms	412 [3650]	131,7 [45]	149,2 [51]	110RG(D/S)24H24-270 II
	180	ms	467 [4134]	131,7 [45]	149,2 [51]	110RG(D/S)24H24-180 II

Other Motions (stops and index periods) available. Contact your DESTACO sales representative for more information.

Features

- Fully Metric
- Universal Mounting: mounting holes on any of 6 sides
- Center Through Hole (Ø45 mm [Ø1.77 in]) in RGD model.
- Right Hand Cam

Optional Accessories

- KH37 Reducer
 - Ratios from 5.36:1 to 106.38:1 (consult factory for exact ratios available)
 - 1 HP AC Drive Package with Inverter Duty Motor and Inverter Drive (up to 60 cpm)
- Single or Dual Cycle Cam and Limit Switch
- Left Hand Cam
- Relief in Dwell for shot-pin applications

Output Load Capacity (loads carried during index):

	RGD	RGS
Radial	24968 N [5613 lbs]	8256 N [1156 lbs]
Thrust/Axial	19621 N [4411 lbs]	9132 N [2053 lbs]
Moment in-lb]	1248 N-m [11050 in-lb]	479 N-m [4238

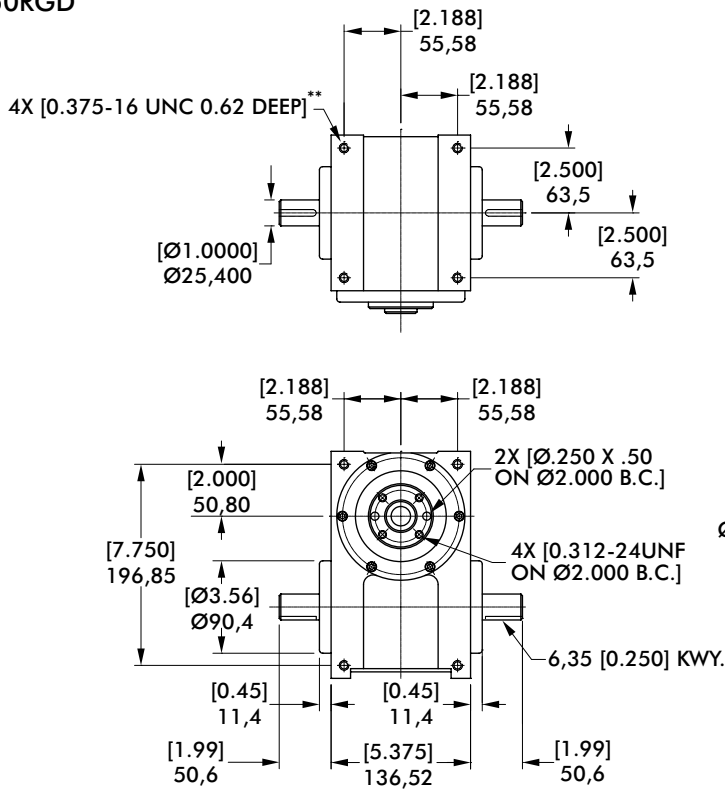
Accuracy ±30 arcsec / ±0,023 mm [±.0009 in] at 152,4 mm [6 in] Radius

Repeatability ±8 arcsec / ±0,005 mm [±.0002 in] at 152,4 mm [6 in] Radius

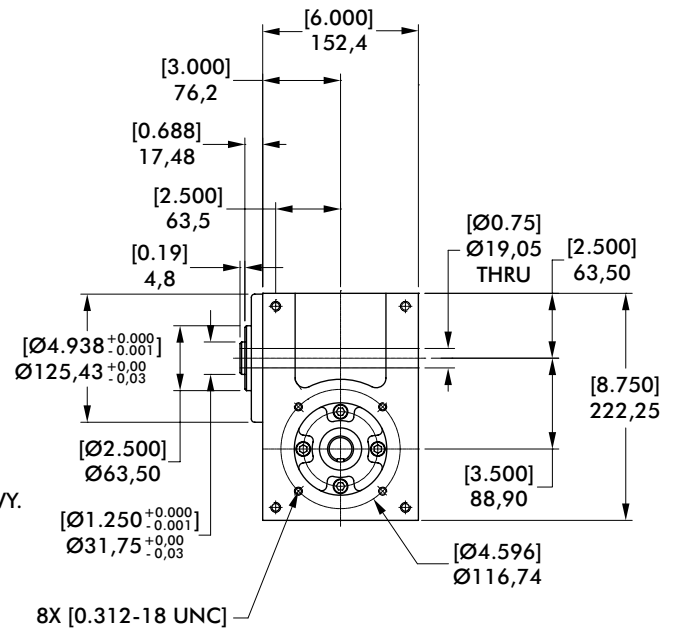
350RGD/350RGS SERIES

Roller Gear Index Drive | Dimensions

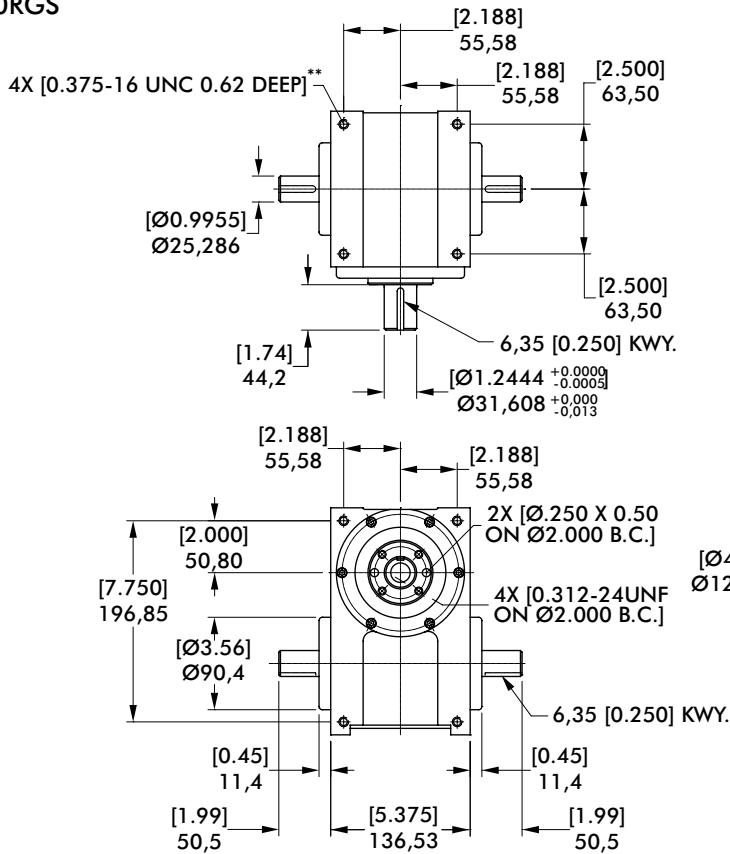
350RGD

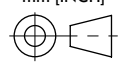


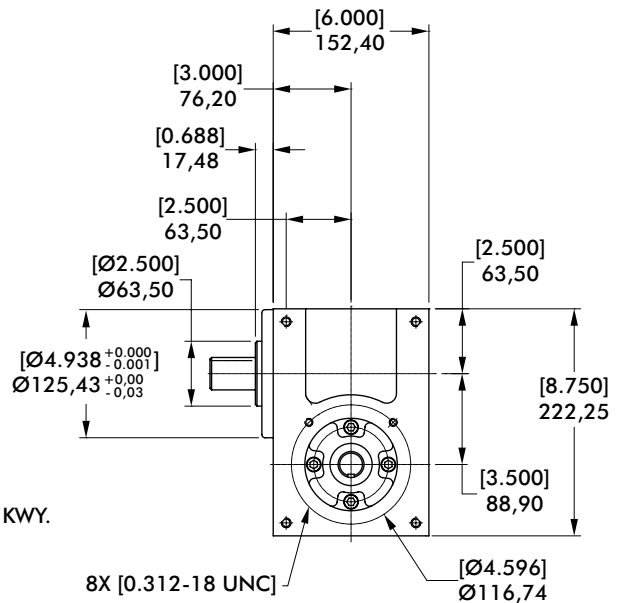
** 4 TAPPED MOUNTING HOLES IN ANY ONE OF SIX FINISHED SIDES, TO BE SPECIFIED BY CUSTOMER



350RGS



mm [INCH]

 THIRD ANGLE PROJECTION



350RGD/350RGS SERIES

Roller Gear Index Drive | Features | Optional Accessories | Technical Information

350RGD/350RGS Indexer Capacities						
Stops	Index Period	Motion	B ₁₀ Capacity at 50 RPM N-m [in-lb]	RGD Internal Inertia kg-cm ² [lb-in ²]	RGS Internal Inertia kg-cm ² [lb-in ²]	Model
1	330	msc.50	200 [1774]	22,5 [7.7]	28,4 [9.7]	350RG(D/S)1H24-330
2	270	ms	141 [1244]	22,5 [7.7]	28,4 [9.7]	350RG(D/S)2H24-270
	180	msc.67	231 [2047]	22,5 [7.7]	28,4 [9.7]	350RG(D/S)2H24-180
3	270	ms	173 [1530]	22,5 [7.7]	28,4 [9.7]	350RG(D/S)3H24-270
	180	ms	181 [1601]	22,5 [7.7]	28,4 [9.7]	350RG(D/S)3H24-180
4	300	ms	192 [1701]	23,7 [8.1]	29,6 [10.1]	350RG(D/S)4H24-300
	180	ms	226 [2001]	23,7 [8.1]	29,6 [10.1]	350RG(D/S)4H24-180
6	270	ms	182 [1615]	22,5 [7.7]	28,4 [9.7]	350RG(D/S)6H24-270
	90	ms	233 [2063]	22,5 [7.7]	28,4 [9.7]	350RG(D/S)6H24-90
8	270	ms	208 [1840]	23,7 [8.1]	29,6 [10.1]	350RG(D/S)8H24-270
	90	ms	307 [2716]	23,7 [8.1]	29,6 [10.1]	350RG(D/S)8H24-90
12	270	ms	128 [1132]	23,1 [7.9]	29,0 [9.9]	350RG(D/S)12H20-270
	90	ms	167 [1476]	23,1 [7.9]	29,0 [9.9]	350RG(D/S)12H20-90

Other Motions (stops and index periods) available. Contact your DESTACO sales representative for more information.

Features

- Universal Mounting: mounting holes on any of 6 sides
- Center Through Hole (Ø19.05 mm [Ø.75 in]) in RGD model.
- Right Hand Cam Standard

Optional Accessories

- R180 Reducer (Ratios from 5:1 to 60:1)
 - 1/3 HP AC Drive Package with Inverter Duty Motor and Inverter Drive (up to 60 cpm)
 - 1/3 HP DC Motor with Varipak DC Motor Control (up to 30 cpm)
- R225 Reducer (Ratios from 5:1 to 60:1)
 - 56C Motor Adapter and Coupling
 - 1 HP AC Drive Package with Inverter Duty Motor and Inverter Drive (up to 60 cpm)
 - 1 HP DC Motor with Varipak DC Motor Control (up to 30 cpm)
- Single or Dual Cycle Cam and Limit Switch
- Relief in Dwell for shot-pin applications
- Left Hand Cam
- Relief in Dwell for shot-pin applications

Output Load Capacity (loads carried during index):

	RGD	RGS
Radial	8607 N [1935 lbs]	8042 N [1808 lbs]
Thrust/Axial	6254 N [1406 lbs]	3496 N [786 lbs]
Moment	273 N-m [2419 in-lb]	357 N-m [3164 in-lb]

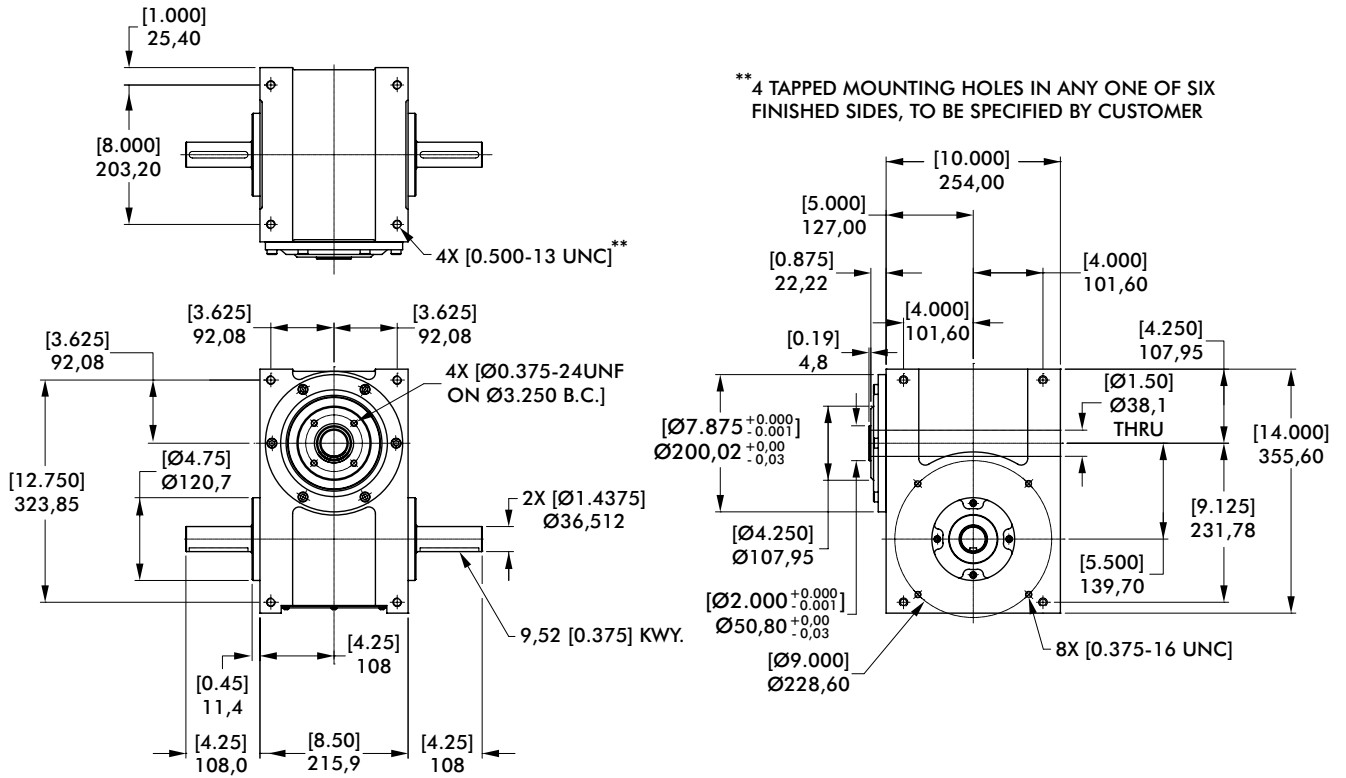
Accuracy ±41 arcsec / ±0,030 mm [±.0012 in] at 152,4 mm [6 in] Radius

Repeatability ±10 arcsec / ±0,008 mm [±.0003 in] at 152,4 mm [6 in] Radius

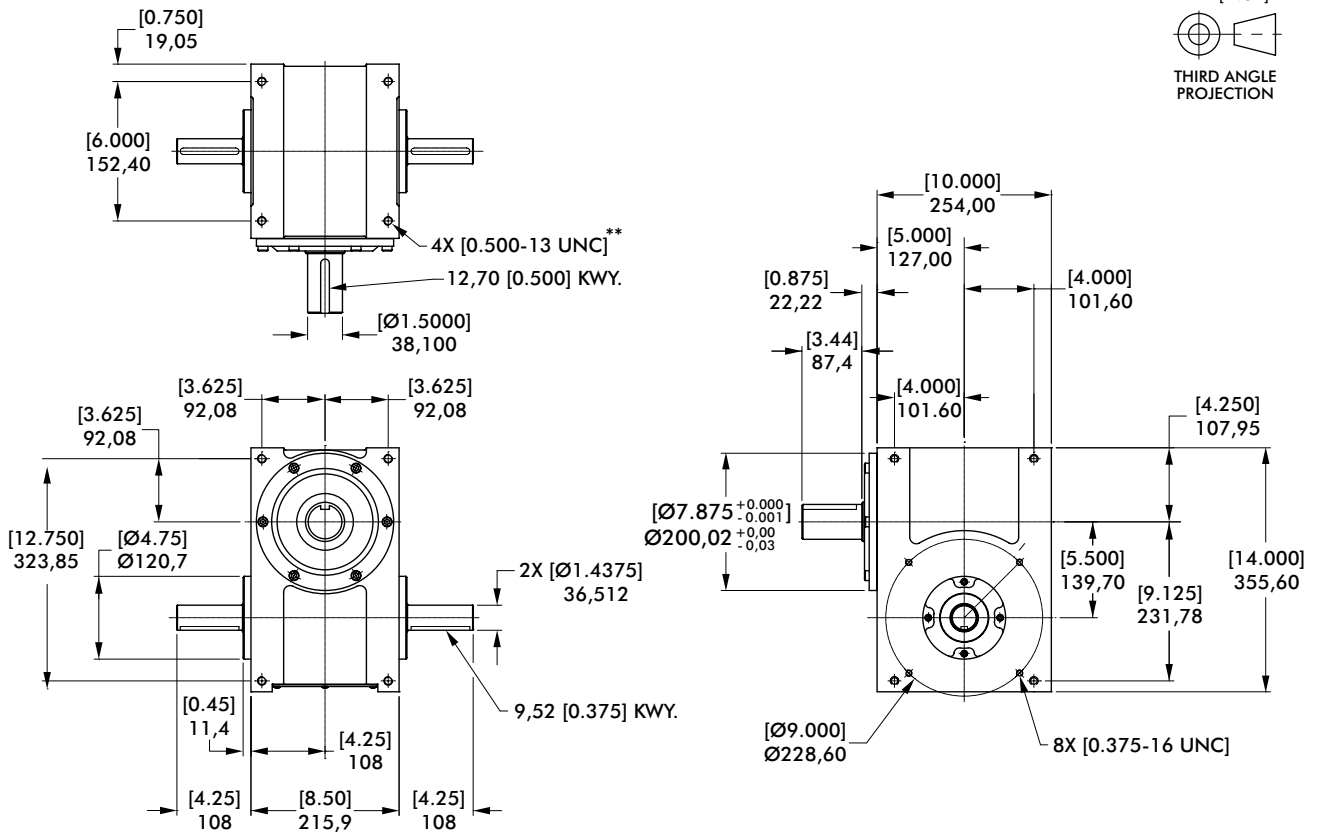
500RGD/500RGS SERIES

Roller Gear Index Drive | Dimensions

500RGD



500RGS



500RGD/500RGS SERIES

Roller Gear Index Drive | Features | Optional Accessories | Technical Information

500RGD/500RGS Indexer Capacities						
Stops	Index Period	Motion	B ₁₀ Capacity at 50 RPM N-m [in-lb]	RGD Internal Inertia kg-cm ² [lb-in ²]	RGS Internal Inertia kg-cm ² [lb-in ²]	Model
1	330	msc.60	765 [6767]	181,4 [62]	131,7 [45]	500RG(D/S)1H40-330
2	270	ms	497 [4400]	181,4 [62]	131,7 [45]	500RG(D/S)2H40-270
3	270	ms	595 [5265]	181,4 [62]	131,7 [45]	500RG(D/S)3H40-270
	180	ms	645 [5706]	181,4 [62]	131,7 [45]	500RG(D/S)3H40-180
4	270	ms	692 [6121]	193,1 [66]	140,5 [48]	500RG(D/S)4H40-270
	120	msc.20	440 [3892]	175,6 [60]	122,9 [42]	500RG(D/S)4H32-120
6	270	ms	617 [5464]	181,4 [62]	131,7 [45]	500RG(D/S)6H40-270
	90	ms	781 [6909]	181,4 [62]	131,7 [45]	500RG(D/S)6H40-90
8	270	ms	695 [6151]	193,1 [66]	140,5 [48]	500RG(D/S)8H40-270
	90	ms	929 [8219]	193,1 [66]	140,5 [48]	500RG(D/S)8H40-90
12	270	ms	296 [2616]	169,7 [58]	117,1 [40]	500RG(D/S)12H28-270
	90	ms	390 [3449]	169,7 [58]	117,1 [40]	500RG(D/S)12H28-90

Other Motions (stops and index periods) available. Contact your DESTACO sales representative for more information.

Features

- Universal Mounting: mounting holes on any of 6 sides
- Center Through Hole (Ø38.1 mm [Ø1.50 in]) in RGD model.
- Right Hand Cam Standard

Optional Accessories

- 1 hp AC Drive Package with Inverter Duty Motor and Inverter Drive (up to 60 cpm)
- 1 hp DC Motor with Varipak DC Motor Control (up to 30 cpm)
- Single or Dual Cycle Cam and Limit Switch
- Output Overload Clutch Models: 11S, 11C, 11F, 11C-SD, 11S-SD, 11FC-SD
 - Available Settings (in-lbs): 2300, 4000, 6000, 8500, 11000
- Left Hand Cam
- Relief in Dwell for shot-pin applications
- Left Hand Cam

Output Load Capacity (loads carried during index):

	RGD	RGS
Radial	17811 N [4004 lbs]	16756 N [3767 lbs]
Thrust/Axial	12273 N [2759 lbs]	6374 N [1433 lbs]
Moment	961 N-m [8509 in-lb]	1464 N-m [12959 in-lb]

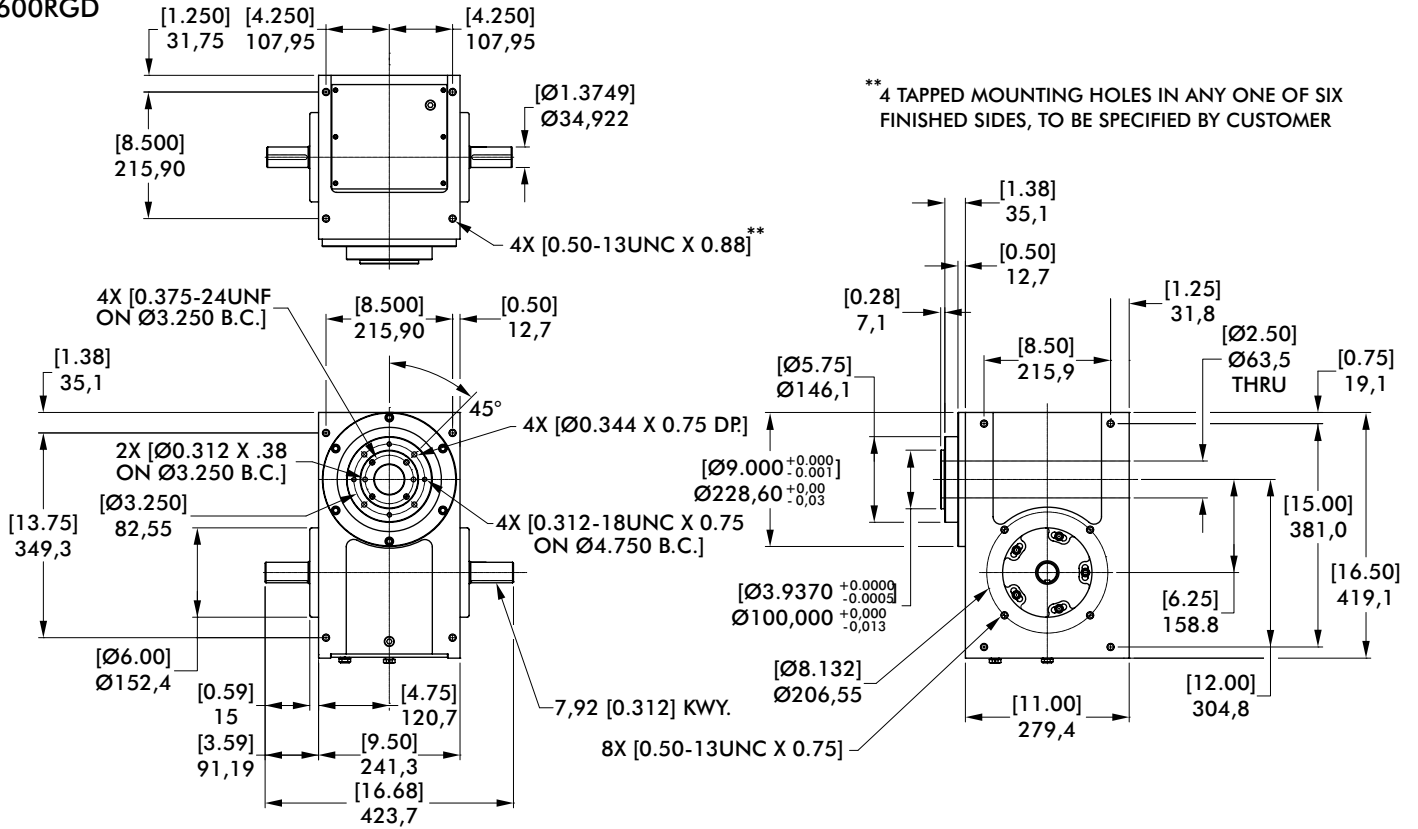
Accuracy ±29 arcsec / ±0,020 mm [±.0008 in] at 152,4 mm [6 in] Radius

Repeatability ±7 arcsec / ±0,005 mm [±.0002 in] at 152,4 mm [6 in] Radius

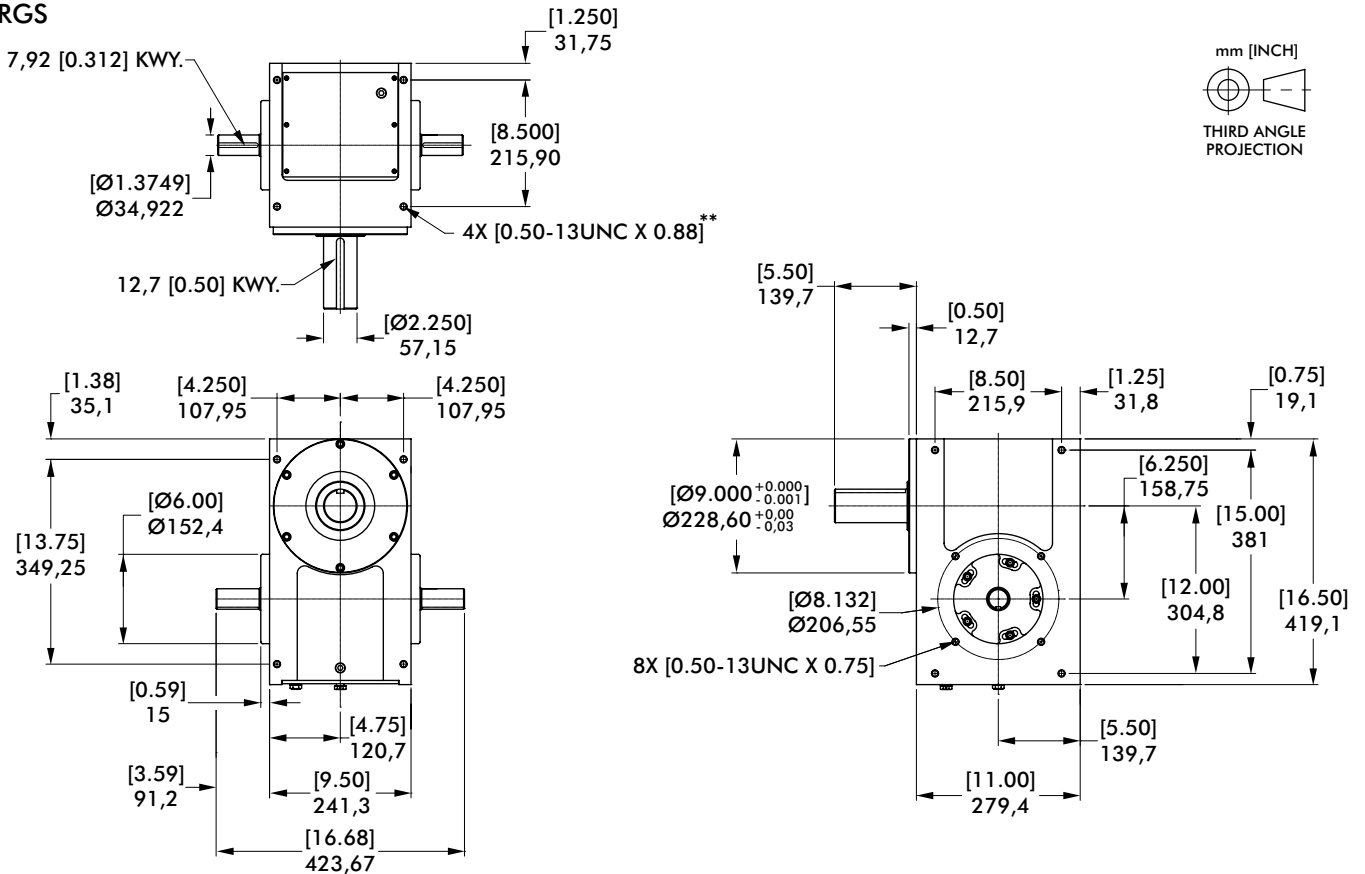
600RGD/600RGS SERIES

Roller Gear Index Drive | Dimensions

600RGD



600RGS



600RGD/600RGS SERIES

Roller Gear Index Drive | Features | Optional Accessories | Technical Information

600RGD/600RGS Indexer Capacities						
Stops	Index Period	Motion	B ₀ Capacity at 50 RPM N-m [in-lb]	RGD Internal Inertia kg-cm ² [lb-in ²]	RGS Internal Inertia kg-cm ² [lb-in ²]	Model
2	300	ms	736 [6516]	749,2 [256]	400,9 [137]	600RG(D/S)2H48-300
3	270	ms	899 [7955]	749,2 [256]	400,9 [137]	600RG(D/S)3H48-270
	180	ms	991 [8769]	749,2 [256]	400,9 [137]	600RG(D/S)3H48-180
4	270	ms	763 [6749]	728,7 [249]	383,4 [131]	600RG(D/S)4H40-270
	180	ms	845 [7477]	728,7 [249]	383,4 [131]	600RG(D/S)4H40-180
6	270	ms	936 [8286]	749,2 [256]	400,9 [137]	600RG(D/S)6H48-270
	90	ms	1211 [10715]	749,2 [256]	400,9 [137]	600RG(D/S)6H48-90
8	270	ms	783 [6928]	714 [244]	368,7 [126]	600RG(D/S)8H40-270
	90	ms	1010 [8936]	714 [244]	368,7 [126]	600RG(D/S)8H40-90
12	270	ms	462 [4091]	714 [244]	368,7 [126]	600RG(D/S)12H32-270
	90	ms	615 [5444]	714 [244]	368,7 [126]	600RG(D/S)12H32-90
16	270	ms	1079 [9553]	728,7 [249]	383,4 [131]	600RG(D/S)16H40-270 II
	90	ms	1381 [12224]	728,7 [249]	383,4 [131]	600RG(D/S)16H40-90 II

Other Motions (stops and index periods) available. Contact your DESTACO sales representative for more information.

Features

- Universal Mounting: mounting holes on any of 6 sides
- Center Through Hole (Ø63.5 mm [Ø2.50 in]) in RGD model.
- Right Hand Cam Standard

Optional Accessories

- 7300C or 7350C Reducer (Ratios from 5:1 to 60:1)
- 1 or 2 hp AC Drive Package with Inverter Duty Motor and Inverter Drive (up to 60 cpm)
- 1 or 2 hp DC Motor with Varipak DC Motor Control (up to 30 cpm)
- Single or Dual Cycle Cam and Limit Switch
- Output Overload Clutch Models: 11FM, 11SM
– Available Settings (in-lbs): 2300, 4000, 6000, 8500, 11000
- Left Hand Cam
- Relief in Dwell for shot-pin applications
- Left Hand Cam

Output Load Capacity (loads carried during index):

	RGD	RGS
Radial	25208 N [5667 lbs]	17028 N [3828 lbs]
Thrust/Axial	15693 N [3528 lbs]	15698 N [3529 lbs]
Moment	1841 N-m [16292 in-lb]	2085 N-m [18451 in-lb]
Accuracy	±40 arcsec / ±0,028 mm [±.0011 in] at 152,4 mm [6 in] Radius	
Repeatability	±10 arcsec / ±0,008 mm [±.0003 in] at 152,4 mm [6 in] Radius	