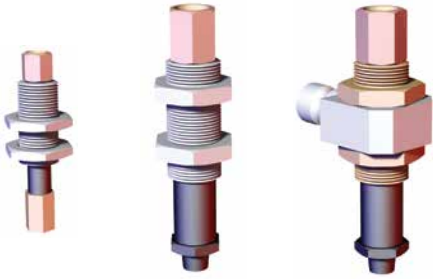


SPRING-LOADED CUP MOUNTS

Vacuum Products | Dimensions | Technical Specifications

LC Bulk Head Style Micro Series Level Compensators



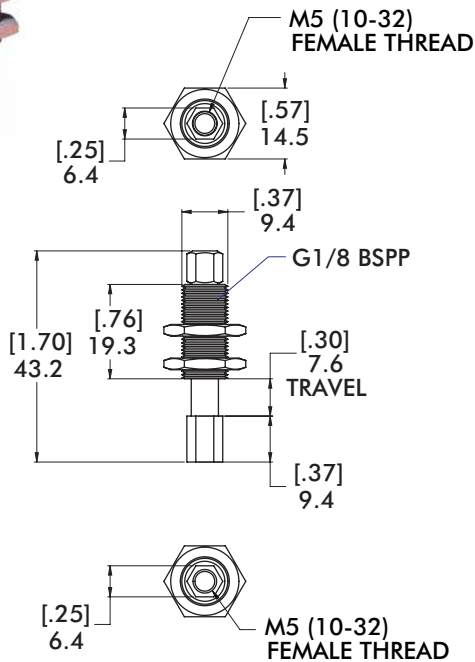
Specifications:
Material: Aluminum

Features:

- M5 or G mounting threads and vacuum ports.



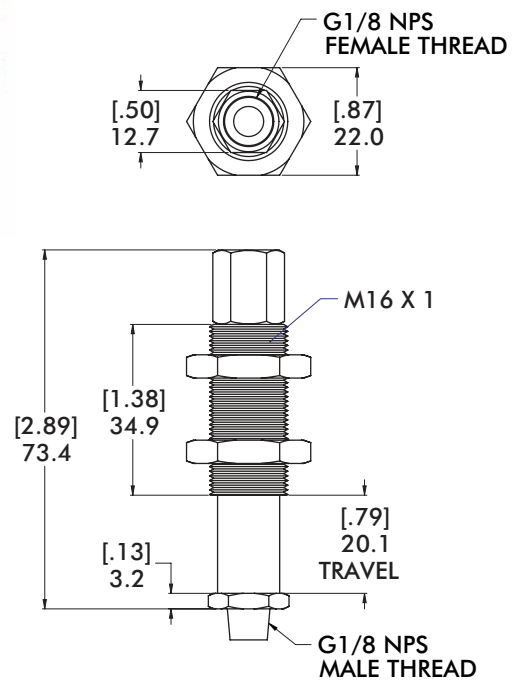
0.30" TRAVEL
ORDERING INFORMATION
CPI-LC10



Weight
5.7 g [0.2 oz.]



0.75" TRAVEL
ORDERING INFORMATION
CPI-LC18



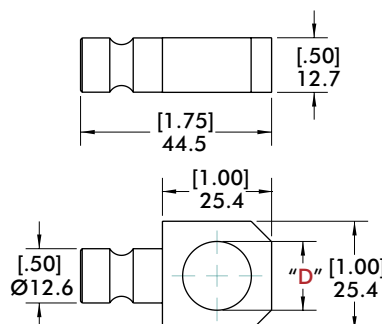
Weight
28.3 g [1.0 oz.]

LCM Series Mount



CPI-LCM-10-"D"

Weight
23 g [0.8 oz.]



"D" = (Ø) Diameter
16 = Ø16mm [.63"]
10 = Ø10mm [.39"]

SPRING-LOADED CUP MOUNTS

Vacuum Products | Dimensions | Technical Specifications

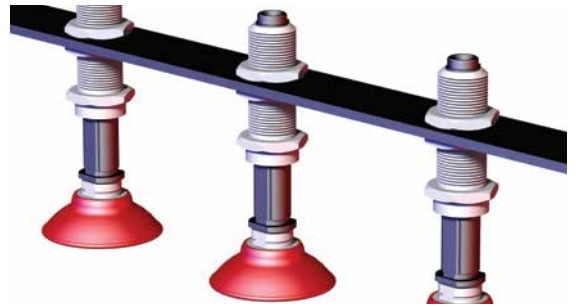
RCM Bulkhead Style Standard Travel

Features:

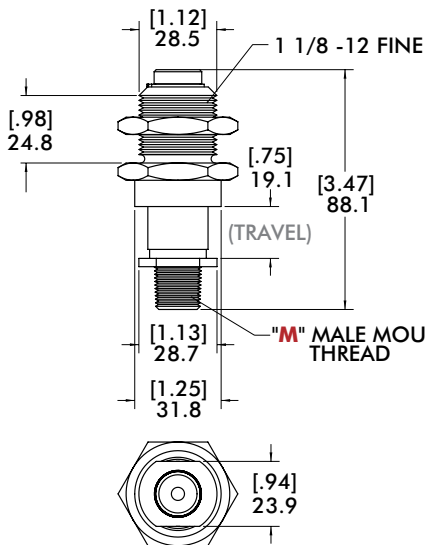
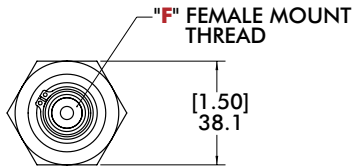
- Available in three different travel lengths.
- NPT or G mounting threads and vacuum ports.

Specifications:

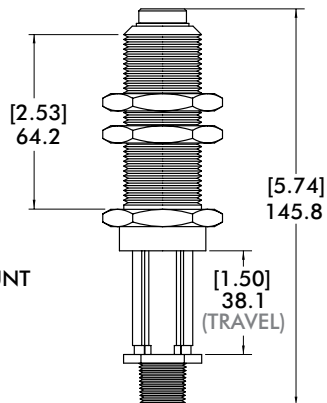
Material: Aluminum



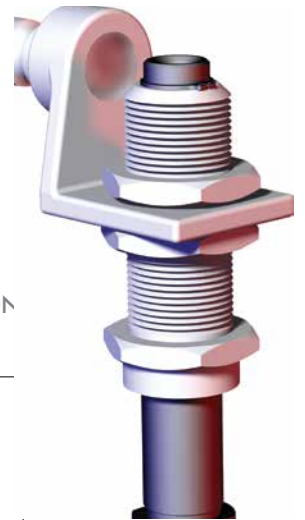
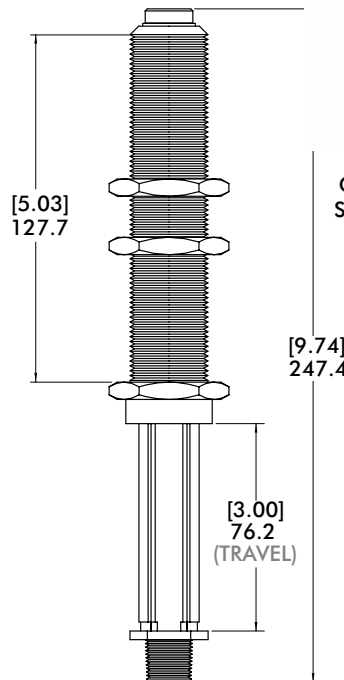
0.75" TRAVEL
ORDERING INFORMATION
CPI-RCM-30



1.50" TRAVEL
ORDERING INFORMATION
CPI-RCM-150-U14-NR



3.00" TRAVEL
ORDERING INFORMATION
CPI-RCM-300-U14-NR



CPI-RCM-150-U14-NR
Shown with CPI-SAP-30

Bulkhead Mount - CPI-RCM-XXX

Version	Mount Thread M	Vacuum Port F
Imperial	3/8" NPT Male	1/4" NPT

Weight
.75" Travel = 142g [5 oz]
1.50" Travel = 227g [8 oz]
3.00" Travel = 340g [12 oz]

SPRING-LOADED CUP MOUNTS

Vacuum Products | Dimensions | Technical Specifications | Ordering Information

SCM Apple-Core Style

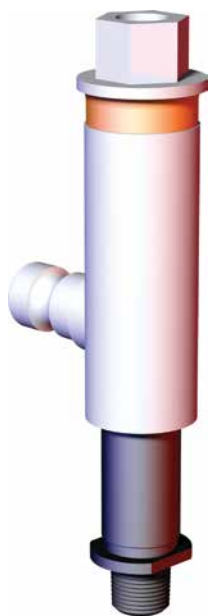


Specifications:

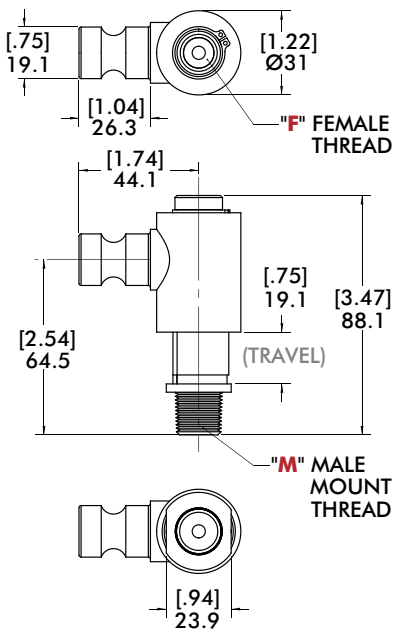
Material: Aluminum used on 1.50"/40mm and 3.00"/75mm travel.

Features:

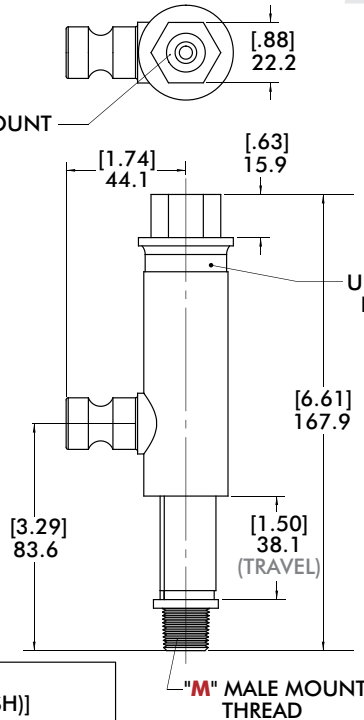
- Available in three different travel lengths.
- Apple core .75" [19mm] mounting for adjustment along on axis.
- NPT or G mounting threads and vacuum ports.



0.75"/19MM TRAVEL
ORDERING INFORMATION
CPI-SCM-075-(X)-NR (ENGLISH)
CPI-SCM-19-(X)-NR (METRIC)

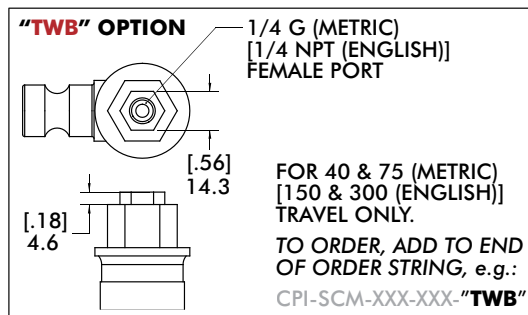
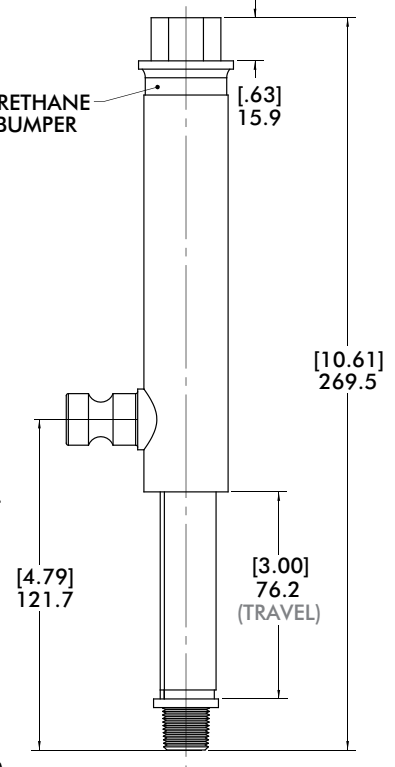


1.50"/40MM TRAVEL
ORDERING INFORMATION
CPI-SCM-150-(X)-NR (ENGLISH)
CPI-SCM-40-(X)-NR (METRIC)



Weight	
.75" 19mm Travel	= 142g [5 oz]
1.50"/40mm Travel	= 227g [8 oz]
3.00"/75mm Travel	= 340g [12 oz]

3.00"/75MM TRAVEL
ORDERING INFORMATION
CPI-SCM-300-(X)-NR (ENGLISH)
CPI-SCM-75-(X)-NR (METRIC)



(NR = NON ROTATING)

CPI-SCM-(19/075)-(X)-NR Ports

Version	M	F	(X)
Metric	3/8" G	1/4" G	G14
Imperial	3/8" NPT	1/4" NPT	U14

CPI-SCM-(40/150 & 75/300)-(X)-NR Ports

Version	M	F	(X)
Metric	3/8" G	3/8" G	G14
Imperial	3/8" NPT	3/8" NPT	U14

SPRING-LOADED CUP MOUNTS

Vacuum Products | Features and Options

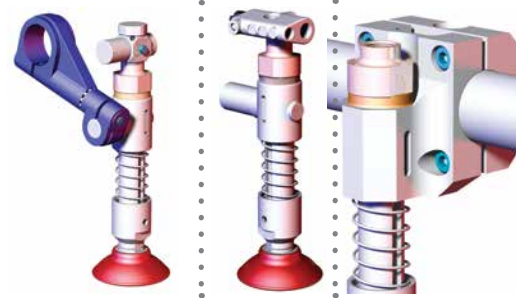
TCL T-Clamp Ø1.00" (in)

Features:

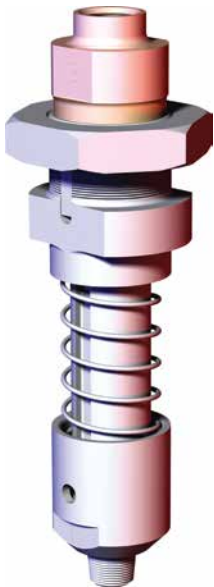
- Four mounting options.
- Three travel lengths.
- NPT or G mounting threads and vacuum ports.
- Urethane shock absorber.
- Teflon coated shaft.
- Fully modular construction.

Benefits:

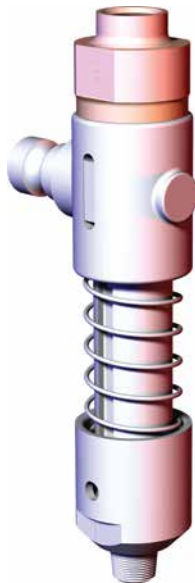
- Urethane shock absorber reduces "pick-up" shock.
- Extensive use of polymers reduce weight and cost.
- Extended travel cup mounts can be reconfigured or rebuilt.
- Smooth operation, reduced wear.



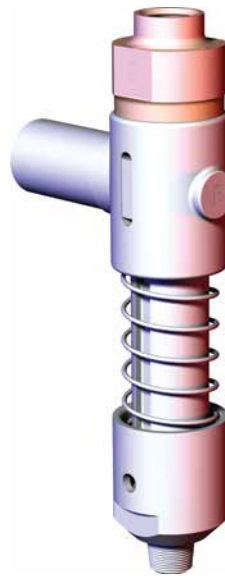
Ø1.25" Bulkhead Style
CPI-SCM(B)-"T"



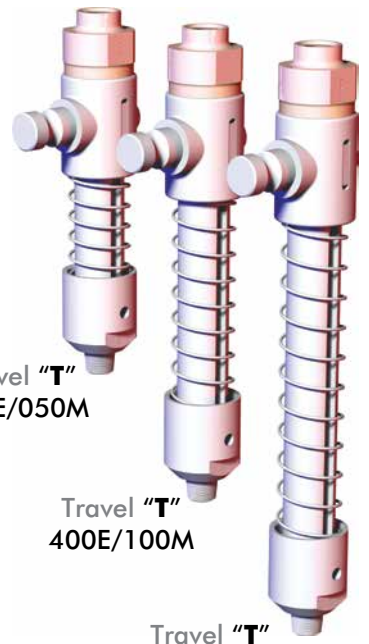
Ø0.75" Apple Core Style
CPI-SCM(A)-"T"



Ø1.00"/25MM
Extension Style
CPI-SCM(10/25)-"T"



Travel Length CPI-SCM(X)-"T"

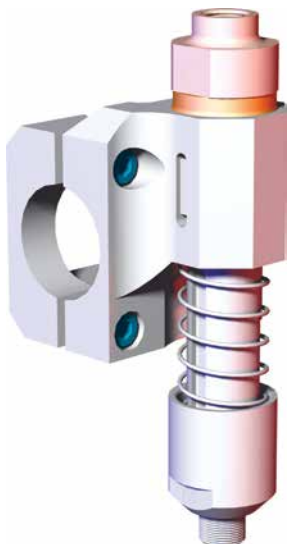


Travel "T"
200E/050M

Travel "T"
400E/100M

Travel "T"
600E/150M

Ø1.50"/40MM
Tube Mount
CPI-SCM(C)-"D"- "T"- "O"



Ø1.50"/40MM
Single Strap Tube Mount
CPI-SCM(S)-"D"- "T"- "O"



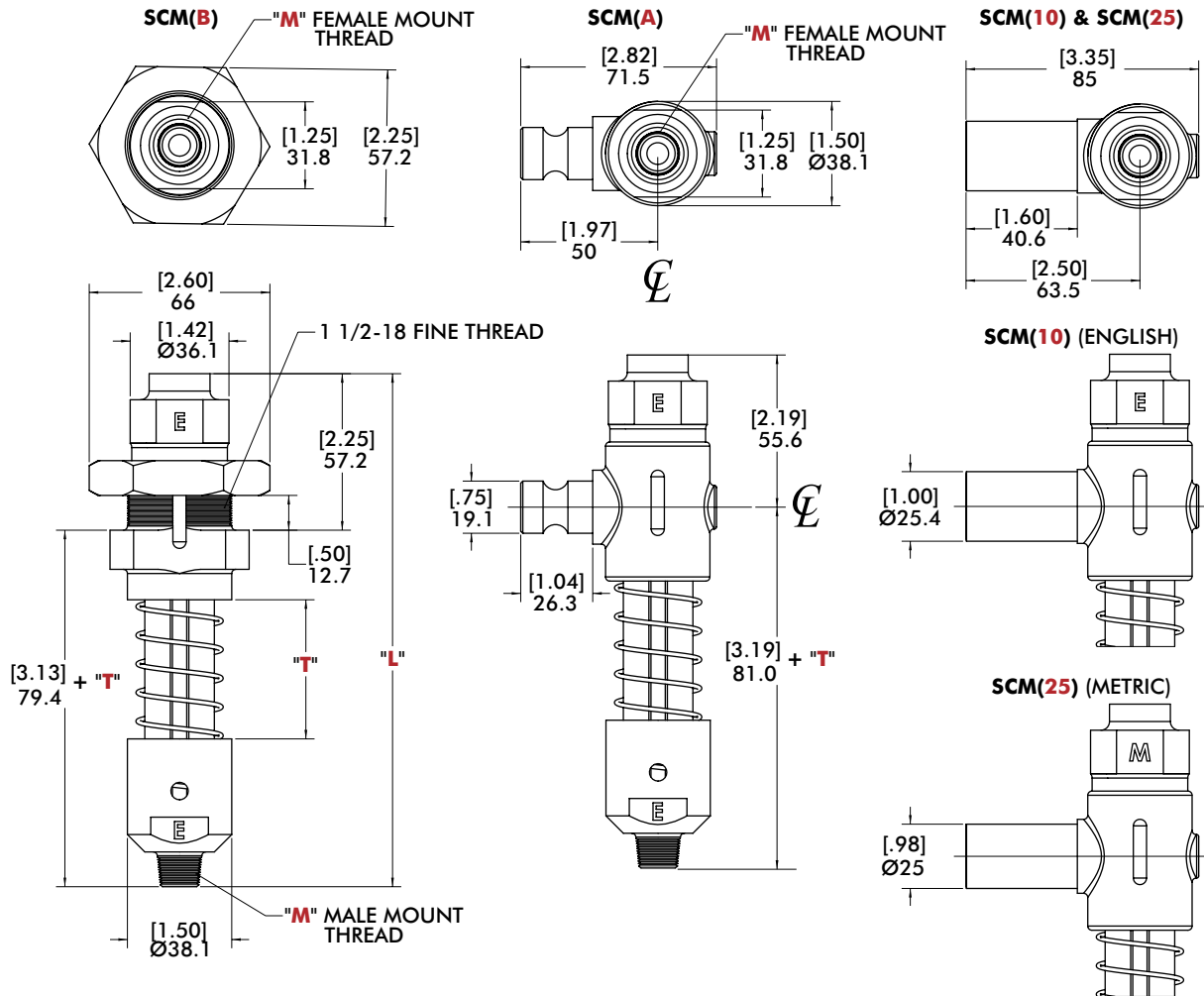
Ø1.50"/45MM
Single Strap Tube Mount
CPI-SCMS-45B-"T"



SPRING LOADED VACUUM CUP MOUNTS

Vacuum Products | Extended Travel Dimensions

SCM Bulkhead/Apple Core/Extension Style



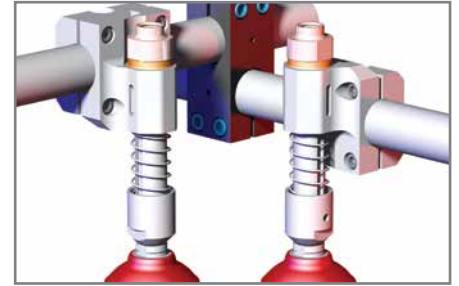
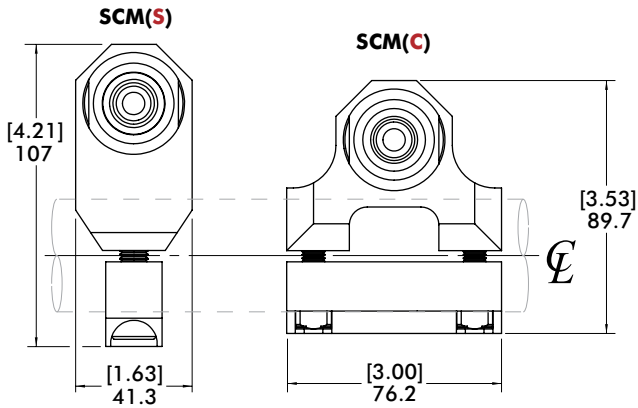
SCM Travel and Length - CPI-SCM(X)-"T"

Version	Travel "T"	L	M	Weight
Imperial	200E (2.00" Vertical Travel)	187.3 [7.38]	3/8" NPT	.48kg [1.06 lb]
	400E (4.00" Vertical Travel)	238.2 [9.38]	3/8" NPT	.53kg [1.16 lb]
	600E (6.00" Vertical Travel)	288.9 [11.38]	3/8" NPT	.58kg [1.27 lb]
Metric	050M (50mm Vertical Travel)	187.3 [7.38]	3/8" G	.48kg [1.06 lb]
	100M (100mm Vertical Travel)	238.2 [9.38]	3/8" G	.53kg [1.16 lb]
	150M (150mm Vertical Travel)	288.9 [11.38]	3/8" G	.58kg [1.27 lb]

SPRING-LOADED CUP MOUNTS

Vacuum Products | Extended Travel Dimensions

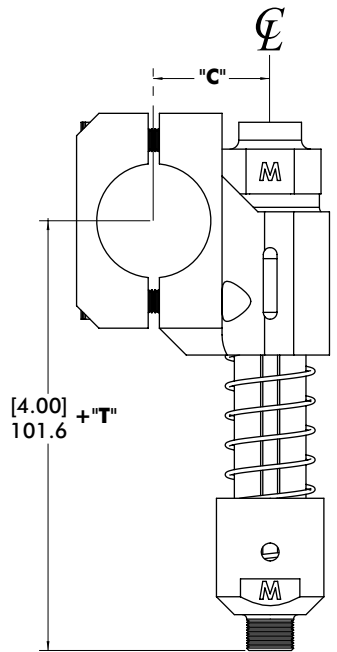
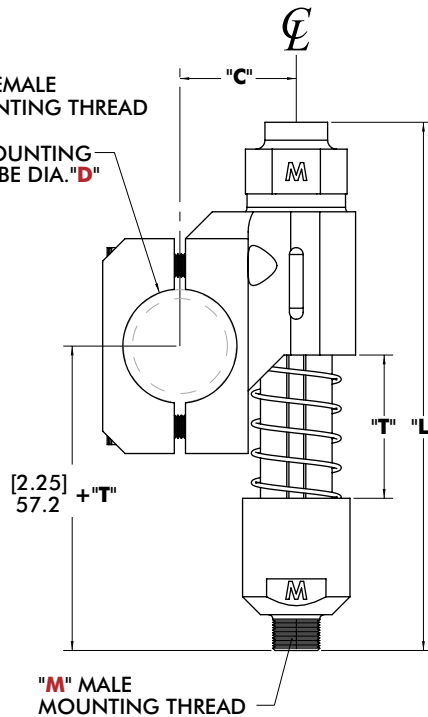
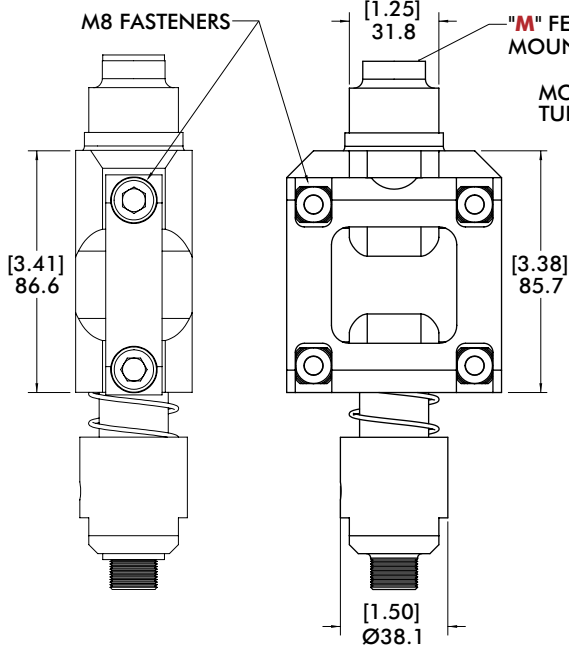
SCM Tube Mounted



Patent Pending

SCM(S/C)
MOUNTING
ORIENTATION (SHOWN)
"O" = A (RAISED POSITION)

SCM(S/C)
MOUNTING
ORIENTATION (SHOWN)
"O" = B (LOWERED POSITION)



Model	C
CPI-SCMC	41.3 [1.63]
CPI-SCMS	54.1 [2.13]

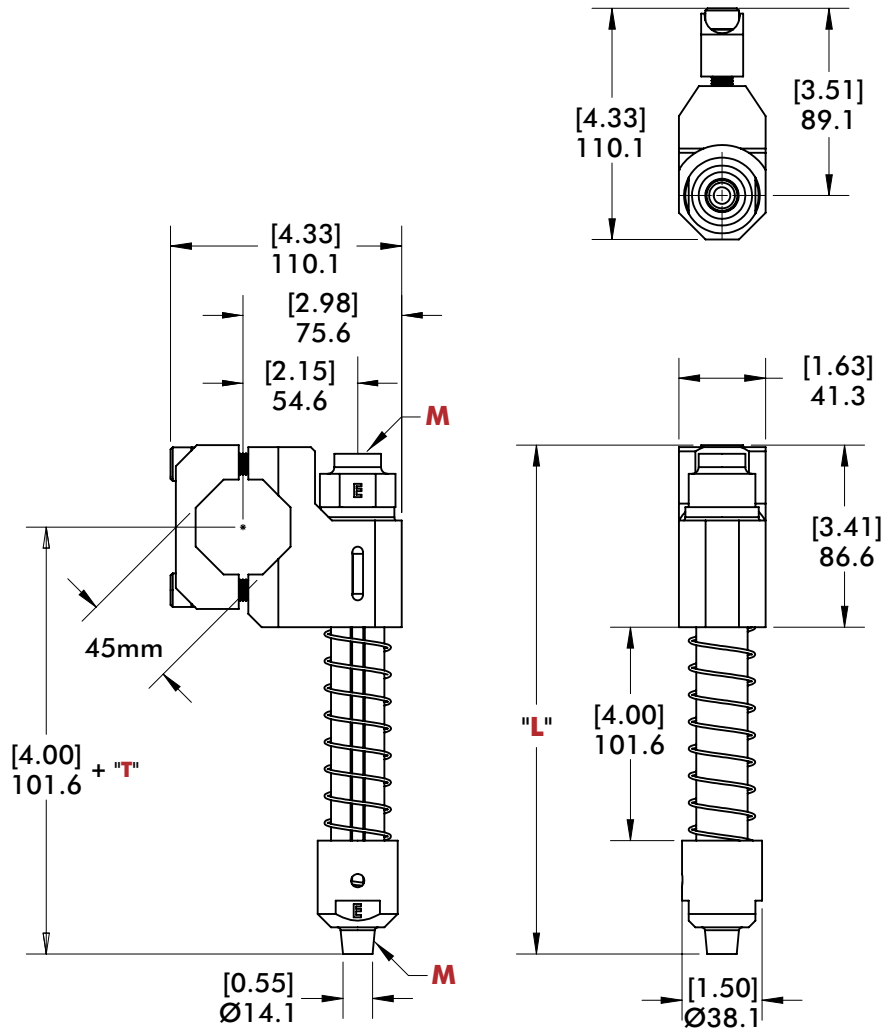
SCM Travel and Length - CPI-SCM(X)-"D"- "T"- "O"

Version	Travel "T"	L	M	D	Weight
Imperial	200E (2.00" Vertical Travel)	187.3 [7.38]	3/8" NPT	150 (Ø1.50")	.85kg [1.87 lb]
	400E (4.00" Vertical Travel)	238.2 [9.38]	3/8" NPT	150 (Ø1.50")	.90kg [1.97 lb]
	600E (6.00" Vertical Travel)	288.9 [11.38]	3/8" NPT	150 (Ø1.50")	.94kg [2.08 lb]
Metric	050M (50mm Vertical Travel)	187.3 [7.38]	3/8" G	40M (Ø40mm)	.85kg [1.87 lb]
	100M (100mm Vertical Travel)	238.2 [9.38]	3/8" G	40M (Ø40mm)	.90kg [1.97 lb]
	150M (150mm Vertical Travel)	288.9 [11.38]	3/8" G	40M (Ø40mm)	.94kg [2.08 lb]

BODY BUILDER SPRING LOADED VACUUM CUP MOUNTS

Vacuum Products | Extended Travel Dimensions

SCM BodyBuilder Mounted



SCM Travel and Length - CPI-SCMS-45B-"T"

Version	Travel "T"	L	M	Weight
Imperial	200E (2.00" Vertical Travel)	191.5 [7.54]	3/8" NPT	.77kg [1.7 lb]
	400E (4.00" Vertical Travel)	242.2 [9.54]	3/8" NPT	.82kg [1.8 lb]
	600E (6.00" Vertical Travel)	293.1 [11.54]	3/8" NPT	.87kg [1.9 lb]
Metric	050M (50mm Vertical Travel)	191.5 [7.54]	3/8" G	.77kg [1.7 lb]
	100M (100mm Vertical Travel)	242.2 [9.54]	3/8" G	.82kg [1.8 lb]
	150M (150mm Vertical Travel)	293.1 [11.54]	3/8" G	.87kg [1.9 lb]

SPRING LOADED VACUUM CUP MOUNT ACCESSORIES

Vacuum Products | Dimensions | Technical Specifications

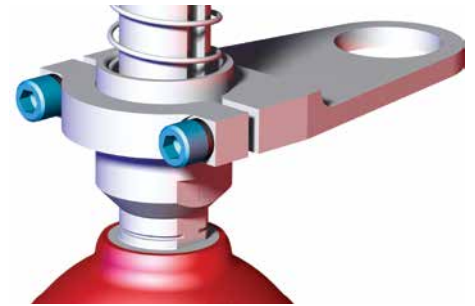
SAP Extended Travel Proximity Switch Mounts

Specifications:

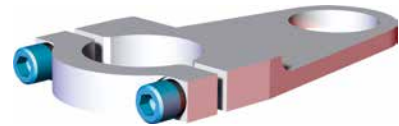
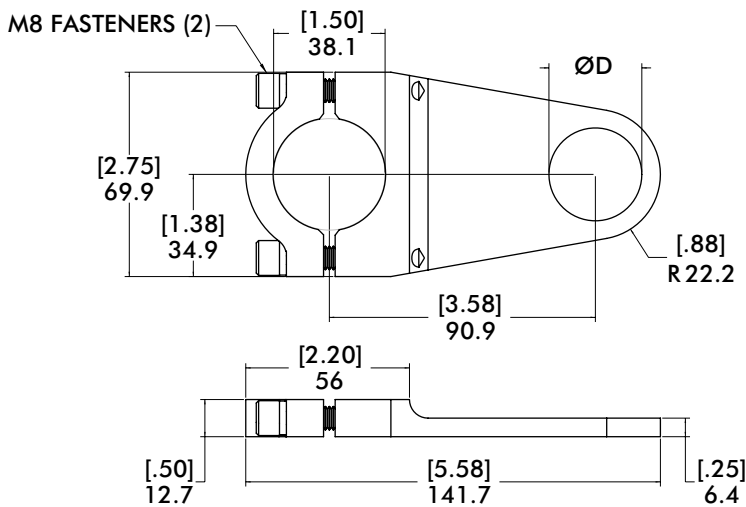
Material: Aluminum

Features:

- Mounts 30mm barrel style and square style proximity switches to the extended travel spring-loaded cup mounts.

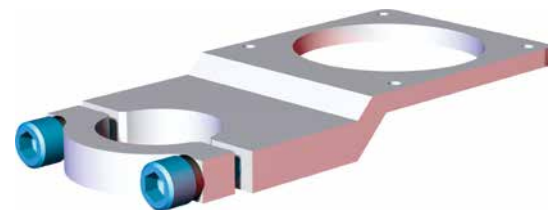
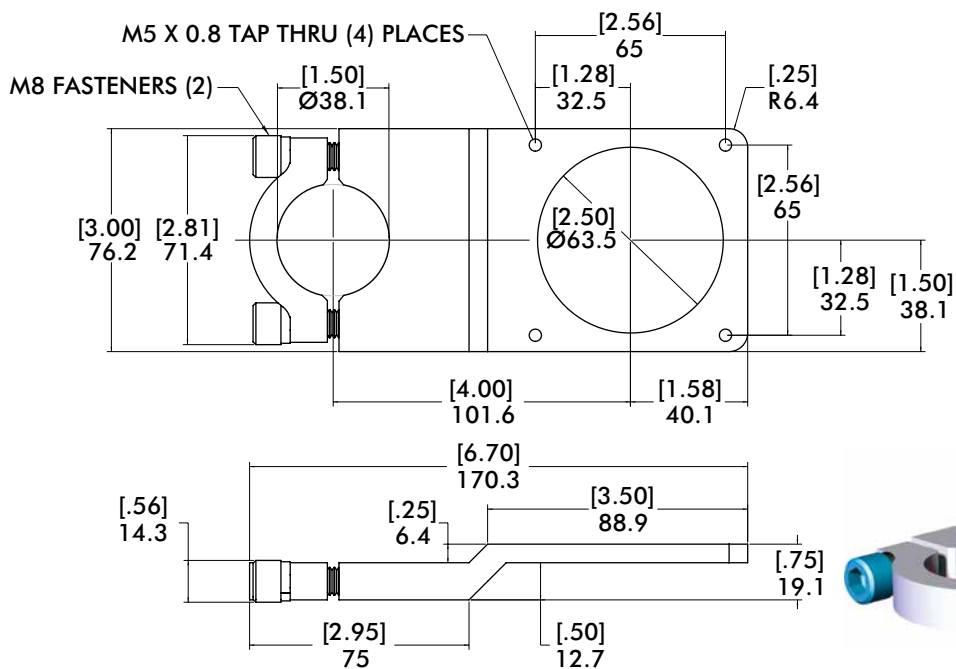


SAP 30mm Barrel Style



Model	ØD	Weight
CPI-SAP-30-PM-150	[1.25] 31.8	.13 kg [.29 lb]
CPI-SAP-18-PM-150	[.75] 19	.17 kg [.38 lb]

SAP 50mm Square Style

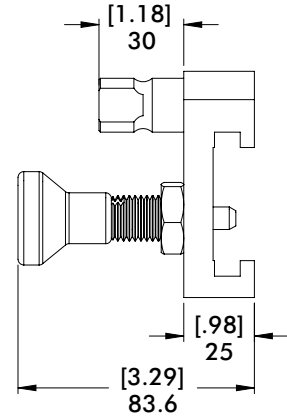
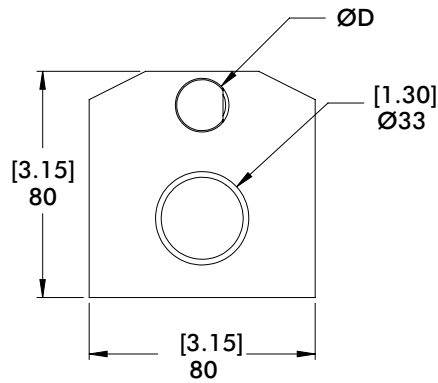
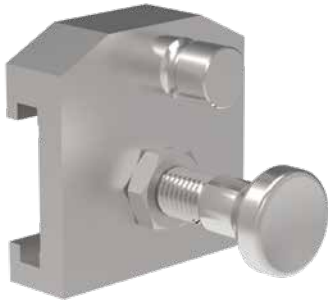


Model	Weight
CPI-SAP-NI50-PM-150	.23 kg [.56 lb]

DOUBLE BLANK DETECTOR QUICK-CHANGE MOUNT

Vacuum Products | Dimensions | Technical Specifications

DBD Quick-Change Mount



Model	ØD	Weight
DBD-19-QC-A	19mm	522g [1.15 lb]
DBD-20-QC-A	20mm	527g [1.16 lb]