

Product overview



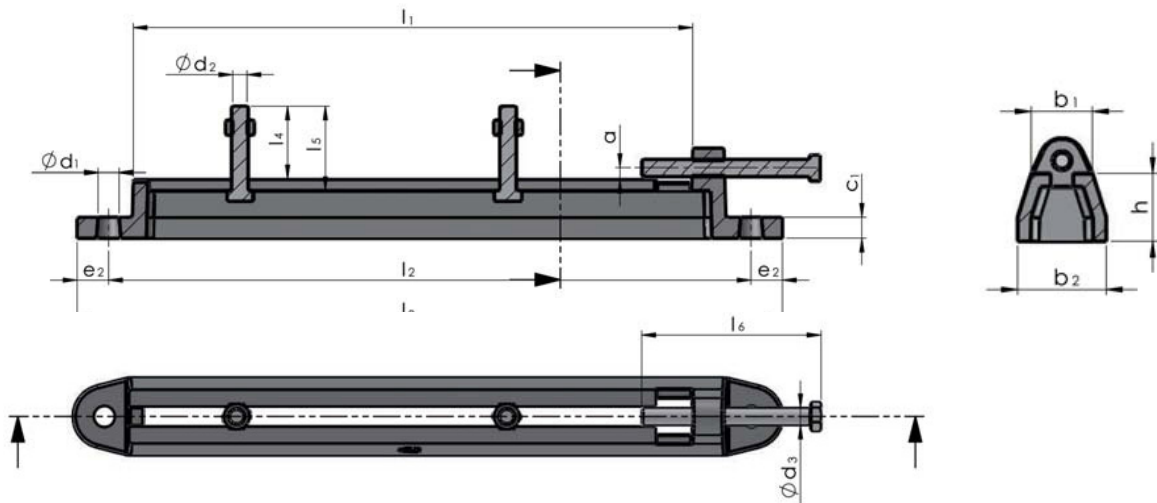
Motor slide rails

Light version

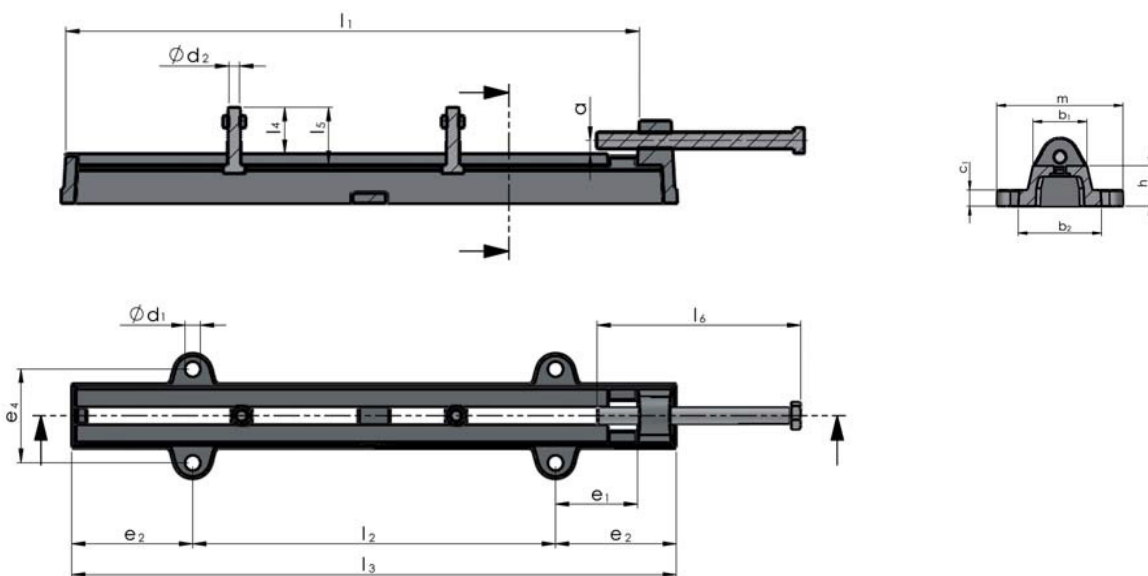
MOTOR SLIDE RAILS

LIGHT VERSION

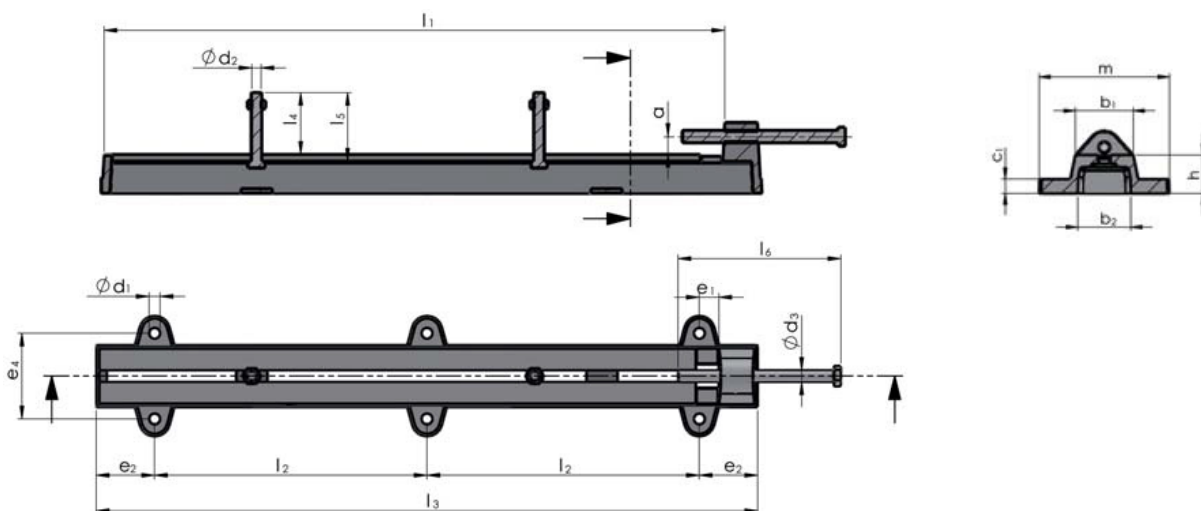
Sliding length from 250 to 650 mm



Sliding length from 700 to 1.500 mm



Sliding length from 1.600 to 2.200 mm



MOTOR SLIDE RAILS

LIGHT VERSION

motor size	sliding length [mm]	dimensions [mm]													motor fixing bolts [mm]	clamping bolts [mm]	weight per set [kg]
		l ₁	a	b ₁	b ₂	c ₁	d ₁	e ₁	e ₂	e ₄	h	l ₂	l ₃	l ₄			
80 90	250	6	30	42	12	12	46	17,5	-	33	315	350	30	-	M 8 x 40	M 10 x 100	3,0
100 110 132	330	8	34	50	13	15	43	22,5	-	35	390	435	35	-	M10 x 45	M 12 x 120	4,5
160 180	400	8	38	55	15	15	43	22,5	-	42	460	505	48	-	M 12 x 60	M 12 x 120	6,5
160 180	450	8	40	60	15	15	55	22,5	-	44	530	575	47	-	M 12 x 60	M 12 x 120	8,0
160 180	500	8	45	65	18	15	55	22,5	-	48	580	625	47	-	M 12 x 60	M 12 x 150	12,0
200 225	550	12	46	65	18	19	55	22,5	-	53	630	675	60	-	M 16 x 75	M 16 x 150	14,0
200 225	600	12	50	70	18	19	55	25	-	55	680	730	59	-	M 16 x 75	M 16 x 150	16,0
200 225	650	12	54	75	18	19	53	25	-	55	725	775	59	-	M 16 x 75	M 16 x 150	17,5
250 280	700	16	65	80	18	19	105	150	115	60	450	750	86	155	M 20 x 100	M 20 x 200	25,0
250 280	800	16	68	88	22	19	105	150	120	60	550	850	82	175	M 20 x 100	M 20 x 200	32,0
250 280	900	16	70	92	22	19	100	153	130	68	650	955	80	185	M 20 x 100	M 20 x 200	40,
315	1000	16	75	104	23	24	100	155	140	72	750	1060	100	200	M 24 x 125	M 24 x 300	54,0
315	1100	16	80	105	23	24	120	185	140	74	800	1170	100	200	M 24 x 125	M 24 x 300	60,0
315	1200	16	85	110	25	24	120	190	140	76	900	1280	100	200	M 24 x 125	M 24 x 300	70,0
315 355	1300	16	85	115	25	28	120	180	160	78	1010	1370	125	225	M 24 x 150	M 24 x 350	77,0
315 355	1400	16	90	120	25	28	145	215	165	80	1050	1480	129	245	M 24 x 150	M 24 x 350	95,0
315 355	1500	16	90	120	30	28	145	215	170	90	1150	1580	122	250	M 24 x 150	M 24 x 350	110,0
-	1600	45	140	160	40	28	55	150	220	100	700	1700	152	310	M 27 x 175	M 30 x 400	205,0
-	1700	45	140	160	40	28	55	150	220	100	750	1800	152	310	M 27 x 175	M 30 x 400	215,0
-	1900	45	160	180	45	28	55	150	250	110	850	2000	150	340	M 27 x 175	M 30 x 400	305,0
-	2000	45	180	200	45	35	55	150	280	125	1000	2300	225	370	M 30 x 250	M 30 x 400	410,0

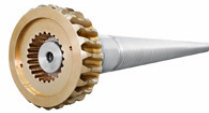
- Good damping properties (cast iron EN-GJL 200 according to DIN EN 1561)
- Optimal adjustability
- Up to sliding length 2.200 mm on request
- Quick availability due to stock
- Delivery includes adjustment and fixing screws
- Delivery with galvanized screws possible
- Stone bolts according to DIN 529 with hexagonal nuts can be provided



FLOHR - PRODUCTS OVERVIEW

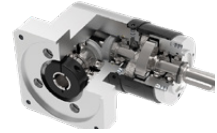
Gears

- Spiral toothed bevel gears
- Bevel gears
- Worm gears
- Spur gears
- Special gears



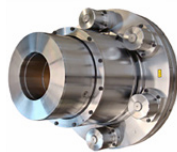
Gear Technology

- Bevel gearboxes
- Angle-planetary gearboxes
- Worm gearboxes
- Cam drives and indexing units
- Cam components
- Special gearboxes



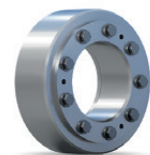
Couplings

- Rigid and flexible couplings
- Frictional connections
- Drum-coupling
- Gear-couplings
- Safety couplings



Friction connections

- Shrink discs
- Shaft couplings
- Flange couplings
- Locking units



Clamping technology

- Manual and pneumatic clamping solutions
- Power clamps
- Pivot units
- End effector solutions
- Linear units
- Grippers



Belt drives

- V-belt and flat belt pulleys
- Flywheels
- Special pulleys
- Motor mounting systems
- Drive belts
- Customer designed castings
- Accessories



Sensor systems

- Incremental encoders
- Magnetic encoders
- Absolute encoders
- Electronic overspeed switches
- Electronic position switches
- Universal encoder systems
- Systems



Contract manufacturing

- Turning, milling, grinding
- Grooving and broaching
- Balancing
- Calculation and design
- Assembly
- Service and repair




INDUSTRIE TECHNIK GMBH

FLOHR Germany

FLOHR INDUSTRIE TECHNIK GmbH
Im Unteren Tal 1
D-79761 Waldshut-Tiengen
Phone: +49 (0) 77 51 / 87 31 0
info@flohr-industrietechnik.de
www.flohr-industrietechnik.de

FLOHR Switzerland

FLOHR INDUSTRIE TECHNIK
Zilistude 164
CH-5465 Mellikon
Phone: +41 (0) 56 / 267 08 10
info@flohr.ch
www.flohr.ch

FLOHR Austria

FLOHR INDUSTRIE TECHNIK
Bucherstraße 37b
A-6922 Wolfurt
Phone: +43 (0) 5572 / 372 158
info@flohr.at
www.flohr.at