

REP3 SERIES

3-Jaw Parallel Grippers | Features and Benefits | How To Order

Features:

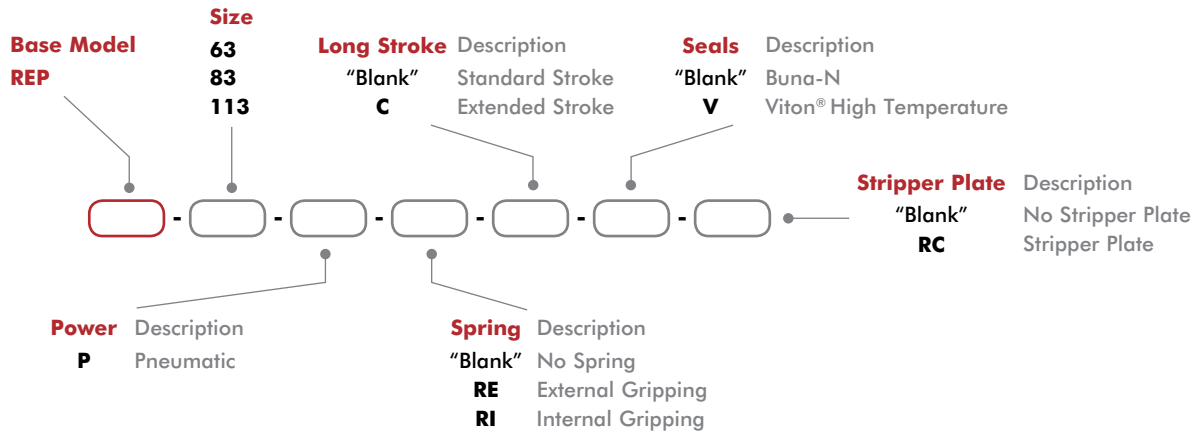
- Multipurpose robust gripper with high repeatability
- Spring assist option maintains grip in case of air pressure loss
- Uses inductive or magneto resistive sensors for sensing jaw position
- Grip force range from 771N to 2235N
- Purge and scavenge ports for harsh & clean environments
- Repeatability of +/-0.02mm

Applications:

- Long cycle life requirements
- High vibration environments
- Pick and place, part feeds



How To Order



Accessories

| Sensor Accessories | Model Numbers | Part Number | Qty/Unit |
|---|---------------|-------------|----------|
| NPN Inductive Sensor with M8 Quick Disconnect* | All Models | OISN-011 | 1-4 |
| PNP Inductive Sensor with M8 Quick Disconnect* | All Models | OISP-011 | 1-4 |
| NPN Magneto Resistive Sensor with Quick Disconnect* | All Models | OHSN-006 | 1-2 |
| PNP Magneto Resistive Sensor with Quick Disconnect* | All Models | OHSP-006 | 1-2 |
| NPN Magneto Resistive Sensor (Short Barrel) with Qk Disconnect* | All Models | OHSN-008 | 1-2 |
| PNP Magneto Resistive Sensor (Short Barrel) with Qk Disconnect* | All Models | OHSP-008 | 1-2 |
| M8 Quick Disconnect 2 Meter Cable Length* | All Models | CABL-010 | 1-4 |
| M8 Quick Disconnect 2 Meter Cable Length* | All Models | CABL-013 | 1-4 |
| Inductive Sensor Mounting Kit (1 holder, 1 flag, 2 spacers) | 63 | OSMK-105 | 1-2 |
| Inductive Sensor Mounting Kit (1 holder, 1 flag, 2 spacers) | 83 | OSMK-106 | 1-2 |
| Inductive Sensor Mounting Kit (1 holder, 1 flag, 2 spacers) | 113 | OSMK-107 | 1-2 |

*Sensor and cable sold separately.

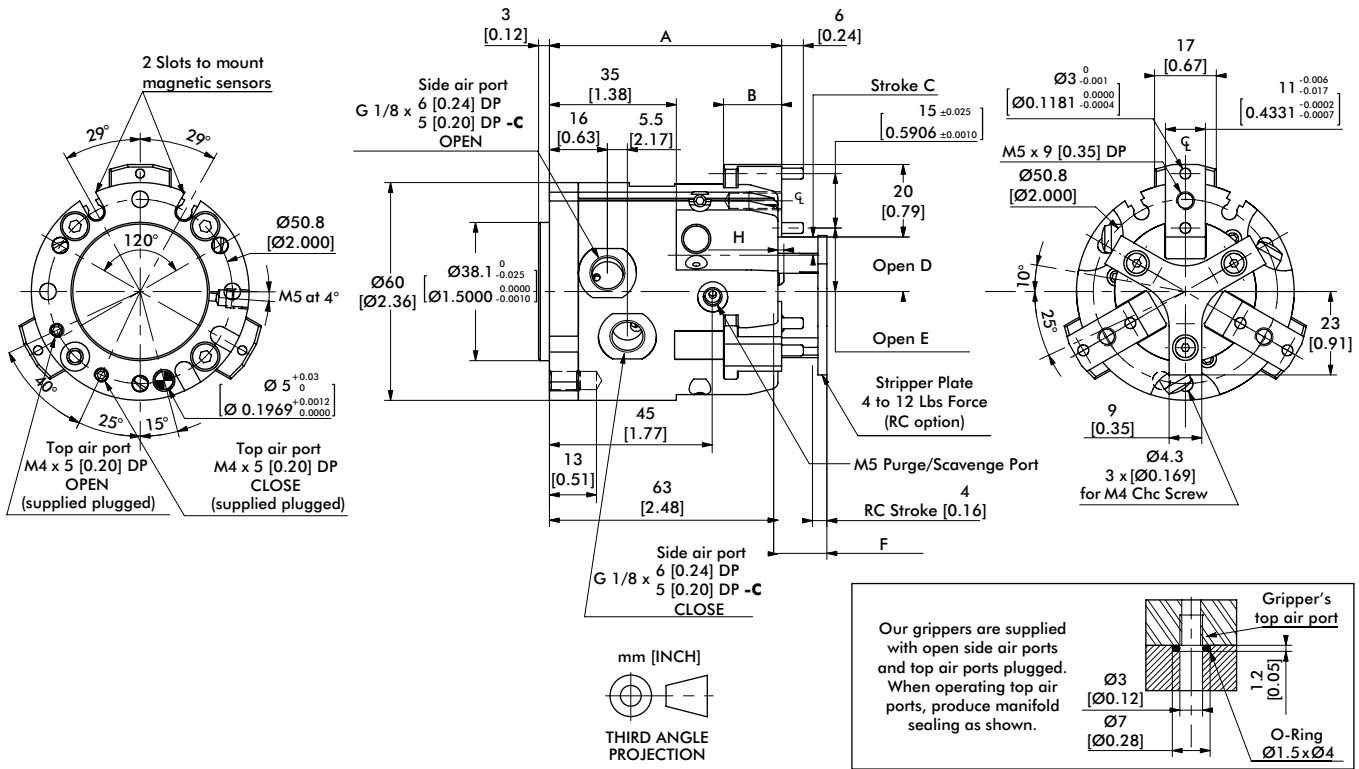
3-Jaw Parallel Grippers | Technical Specifications

| Specifications | Units | 63 | 63-C | 83 | 83-C | 113 | 113-C |
|---|------------------------------------|-----------------------|---------------|---------------|---------------|---------------|---------------|
| Total Rated Grip Force F @ 100 psi [7 bar]* | N [lbs] | 753 [169] | 469 [105] | 2077 [467] | 1341 [301] | 3268 [735] | 2180 [490] |
| Total Stroke | mm [in] | 10 [0.394] | 16 [0.630] | 13 [0.512] | 20 [0.787] | 20 [0.787] | 30 [1.181] |
| Weight | kg [lbs] | 0.55 [1.2] | | 0.9 [2.0] | | 2.45 [5.4] | |
| Pressure Range w/o Spring | bar [psi] | 2-7 [30-100] | | | | | |
| Pressure Range with Spring | bar [psi] | 3-7 [45-100] | | | | | |
| Ingress Protection Class (IP) | | IP55 | | | | | |
| Displacement | cm ³ [in ³] | 12 [0.72] | | 35 [2.13] | | 87 [5.31] | |
| Temperature Range (Buna-N seals) | °C [°F] | -35°~80° [-30°~180°] | | | | | |
| Temperature Range (Viton® seals) | °C [°F] | -30°~150° [-20°~300°] | | | | | |
| Actuation (open/close) | sec. | 0.10 | | 0.18 | | 0.35 | |
| Accuracy | mm [in] | ±0.05 [±0.002] | | | | | |
| Repeatability | mm [in] | ±0.02 [±0.0008] | | | | | |
| Valve to Actuate Single Acting | | 3-way, 2-position | | | | | |
| Valve to Actuate Double Acting | | 4-way, 2-position | | | | | |

* with springs

REP-63, -63-C

3-Jaw Parallel Grippers | Dimensions and Technical Specifications

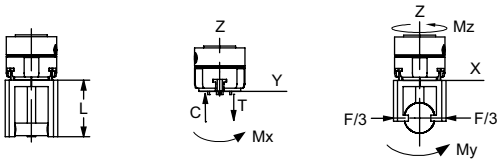
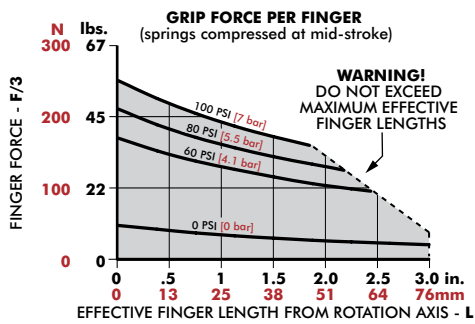


| Model | A | B | C | D | E | F | H |
|----------|-----------|-----------|----------|-----------|--------------|--------------|------------|
| REP-63 | 62 [2.52] | 16 [0.63] | 5 [0.20] | 15 [0.59] | 17.5 [0.689] | 13.5 [0.531] | 1.6 [0.06] |
| REP-63-C | 68 [2.68] | 20 [0.79] | 8 [0.31] | 21 [0.83] | 23.5 [0.926] | 17.5 [0.689] | 5.6 [0.22] |

Dimensions in mm [in]

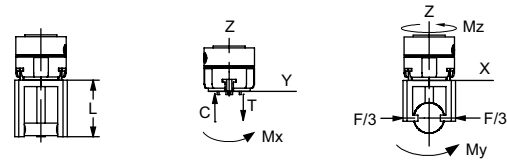
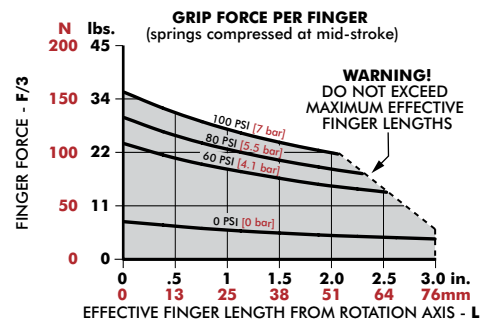
| Seal Repair Kits | REP-63 |
|------------------------|-----------|
| Buna-N Seal Repair Kit | SLKT-155 |
| Viton® Seal Repair Kit | SLKT-155V |

Loading Information



| REP-63 | Static |
|-------------------------------------|--------------------|
| Maximum Tensile T | 860 N [193 lbs] |
| Maximum Compressive C | 1150 N [259 lbs] |
| Maximum Moment M_x | 18 Nm [159 in-lbs] |
| Maximum Moment M_y | 30 Nm [266 in-lbs] |
| Maximum Moment M_z | 30 Nm [44 in-lbs] |

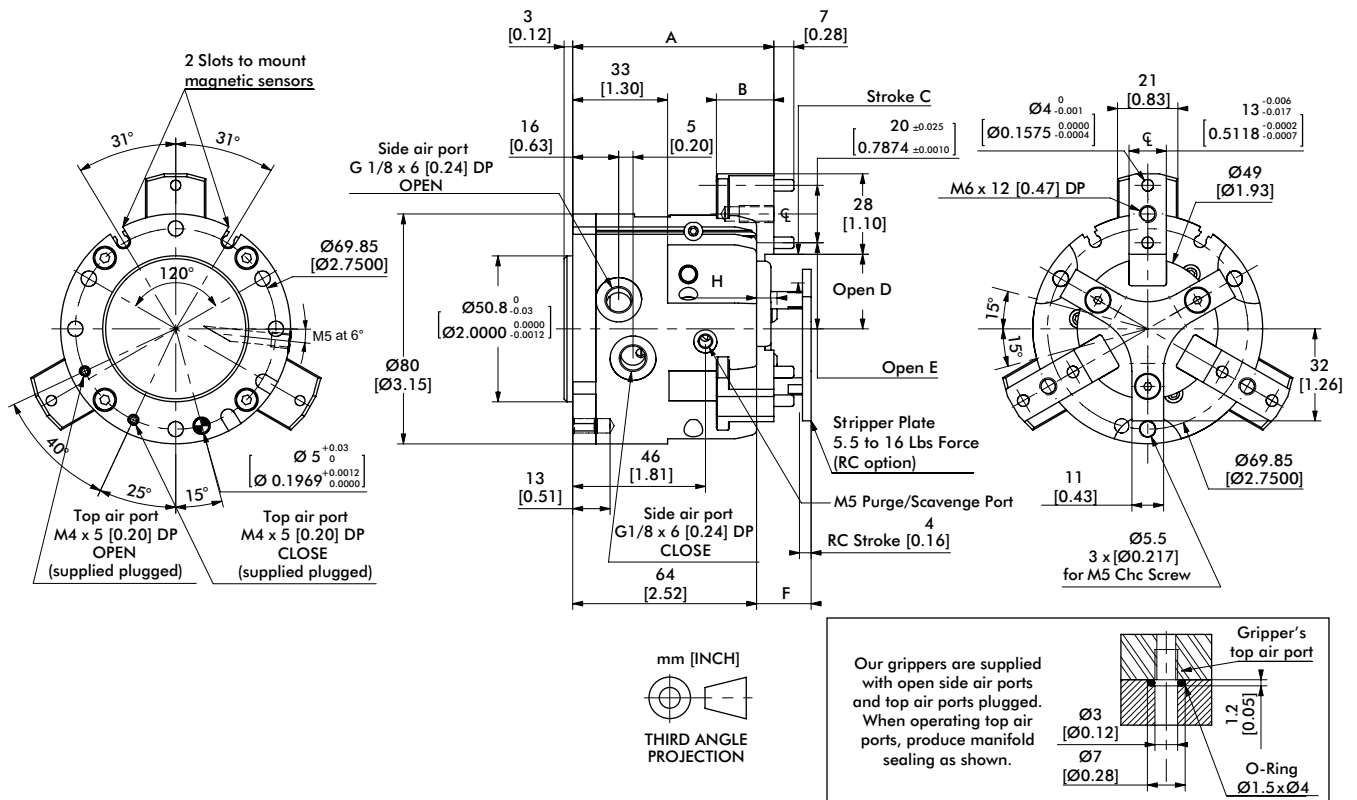
†Capacities are per set of jaws and are not simultaneous



| REP-63-C | Static |
|-------------------------------------|--------------------|
| Maximum Tensile T | 860 N [193 lbs] |
| Maximum Compressive C | 1150 N [259 lbs] |
| Maximum Moment M_x | 15 Nm [133 in-lbs] |
| Maximum Moment M_y | 30 Nm [266 in-lbs] |
| Maximum Moment M_z | 50 Nm [443 in-lbs] |

†Capacities are per set of jaws and are not simultaneous

3-Jaw Parallel Grippers | Dimensions and Technical Specifications

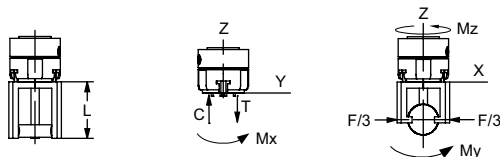
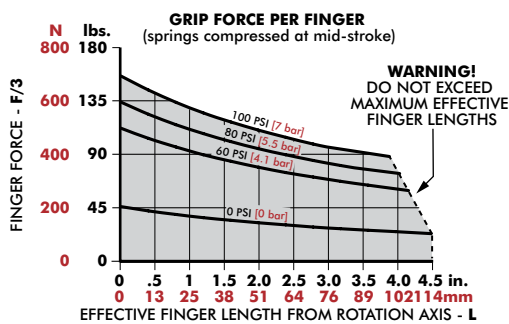


| Model | A | B | C | D | E | F | H |
|----------|-----------|-----------|-------------|-----------|-----------|-----------|------------|
| REP-83 | 65 [2.56] | 15 [0.59] | 6.5 [0.256] | 19 [0.75] | 23 [0.91] | 14 [0.55] | 2.1 [0.08] |
| REP-83-C | 70 [2.76] | 20 [0.79] | 10 [0.39] | 26 [1.10] | 30 [1.18] | 19 [0.75] | 7.1 [0.28] |

Dimensions in mm [in]

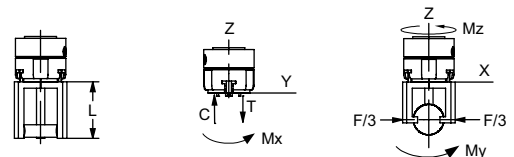
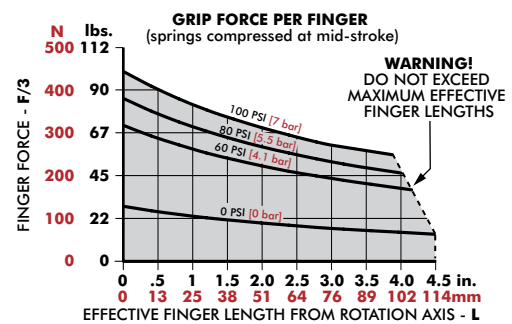
| Seal Repair Kits | REP-83 |
|------------------------|-----------|
| Buna-N Seal Repair Kit | SLKT-157 |
| Viton® Seal Repair Kit | SLKT-157V |

Loading Information



| REP-83 | Static |
|-------------------------------------|--------------------|
| Maximum Tensile T | 1250 N [281 lbs] |
| Maximum Compressive C | 1400 N [315 lbs] |
| Maximum Moment M_x | 30 Nm [266 in-lbs] |
| Maximum Moment M_y | 55 Nm [487 in-lbs] |
| Maximum Moment M_z | 60 Nm [531 in-lbs] |

[†]Capacities are per set of jaws and are not simultaneous

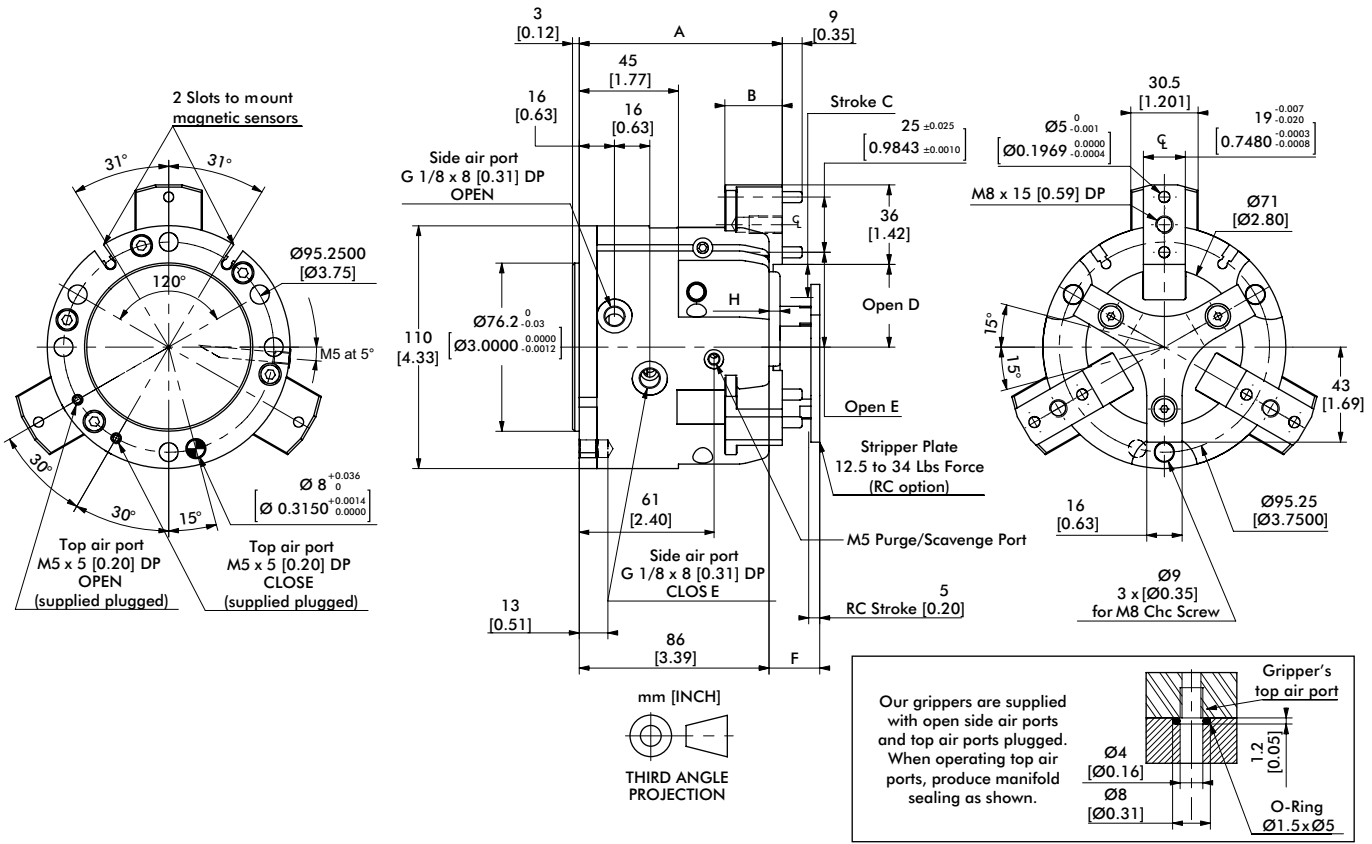


| REP-83-C | Static |
|-------------------------------------|--------------------|
| Maximum Tensile T | 1210 N [272 lbs] |
| Maximum Compressive C | 1360 N [306 lbs] |
| Maximum Moment M_x | 25 Nm [221 in-lbs] |
| Maximum Moment M_y | 50 Nm [443 in-lbs] |
| Maximum Moment M_z | 60 Nm [531 in-lbs] |

[†]Capacities are per set of jaws and are not simultaneous

REP-113, -113-C

3-Jaw Parallel Grippers | Dimensions and Technical Specifications

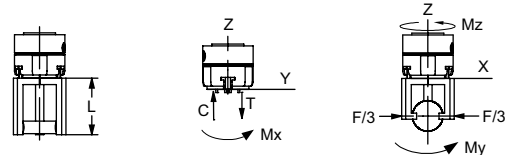
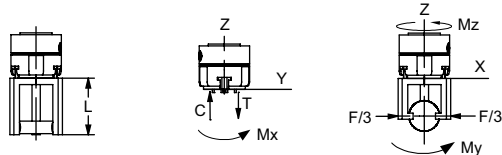
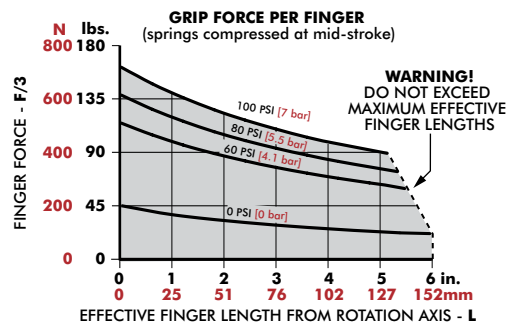
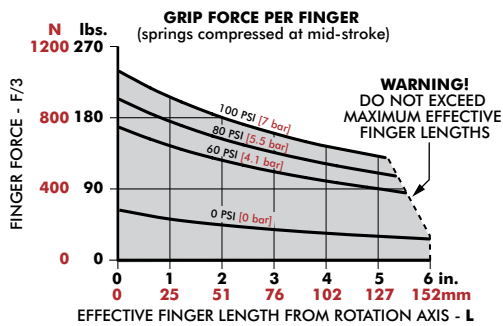


| Model | A | B | C | D | E | F | H |
|-----------|-----------|-----------|-----------|--------------|-----------|-----------|----------|
| REP-113 | 87 [3.43] | 21 [0.83] | 10 [0.39] | 27.5 [1.083] | 33 [1.30] | 18 [0.71] | -- |
| REP-113-C | 92 [3.62] | 26 [1.02] | 15 [0.59] | 37.5 [1.476] | 43 [1.69] | 23 [0.91] | 5 [0.20] |

Dimensions in mm [in]

| Seal Repair Kits | REP-113 |
|------------------------|-----------|
| Buna-N Seal Repair Kit | SLKT-158 |
| Viton® Seal Repair Kit | SLKT-158V |

Loading Information



| REP-113 | Static |
|-------------------------------------|---------------------|
| Maximum Tensile T | 1980 N [445 lbs] |
| Maximum Compressive C | 2150 N [483 lbs] |
| Maximum Moment M_x | 58 Nm [513 in-lbs] |
| Maximum Moment M_y | 100 Nm [885 in-lbs] |
| Maximum Moment M_z | 110 Nm [974 in-lbs] |

†Capacities are per set of jaws and are not simultaneous

| REP-113-C | Static |
|-------------------------------------|---------------------|
| Maximum Tensile T | 1970 N [443 lbs] |
| Maximum Compressive C | 2140 N [481 lbs] |
| Maximum Moment M_x | 52 Nm [460 in-lbs] |
| Maximum Moment M_y | 100 Nm [885 in-lbs] |
| Maximum Moment M_z | 110 Nm [974 in-lbs] |

†Capacities are per set of jaws and are not simultaneous