

330, 351, 371, 381 SERIES

Pull Action Latch Clamps | Product Overview

Features:

- J-hook style latch clamps are supplied with threaded J-hooks for easy adjustment
- Supplied with patented thumb control lever for one handed operation
- DESTACO® Toggle Lock Plus™ versions available
- Stainless steel version available as **-SS** models

Applications:

- Molding
- Closures for doors, lids, covers
- Assembly

Also Available:

- Clamps with longer hooks available Upon Request that are 25mm, 50mm, 100mm longer than standard length
- To order clamp with longer hook, add **-M-25**, **-M-50**, or **-M-100** to the end of the model. Example: 330-**M-50**

Covered under one or more U.S./International Patents

330
330-**SS**



351
351-**SS**



351-**B**
351-**BSS**
Narrow Base



351-**R**
351-**RSS**
with DESTACO®
Toggle Lock
Plus™



371
371-**SS**



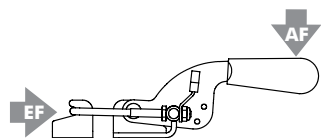
371-**R**
371-**RSS**
with DESTACO®
Toggle Lock
Plus™



381
381-**SS**



Technical Information | Holding Capacities



Model	Max. Holding Capacity	Weight	EF:AF	Drawing Movement	Replacement Hook Assembly	Hook Adj. Range	
330	900 N [200 lbf]	0,11kg [0.24lb]	17:1	59,7 [2.35]	330215	7.4 [0.29]	
330-SS					330915		
351	1670 N [375 lbf]	0,28kg [0.61lb]	21:1	101,6 [4.00]	351215	12.4 [0.49]	
351-SS	2000 N [450 lbf]				351915		
351-B	1670 N [375 lbf]				351215		
351-BSS					351915		
351-R	1670 N [375 lbf]	0,36kg [0.8lb]	36:1	136,7 [5.38]	351215	23.9 [0.94]	
351-RSS					351915		
371	3340 N [750 lbf]	0,69kg [1.53lb]	36:1	136,7 [5.38]	371215	29.7 [1.17]	
371-SS					371915		
371-R					0,85kg [1.88lb]		371215
371-RSS							371915
381	4450 N [1000 lbf]	1,16kg [2.56lb]	37:1	155,7 [6.13]	381215	29.7 [1.17]	
381-SS					381915		

EF = Exerting Force, AF = Applied Force

330, 351, 371, 381 SERIES

Pull Action Latch Clamps | Dimensions | -SS/-B/-BSS

330
330-SS



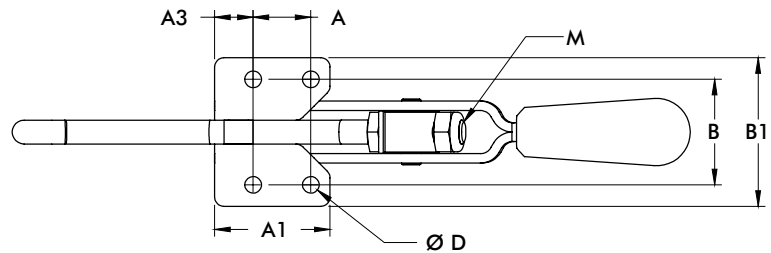
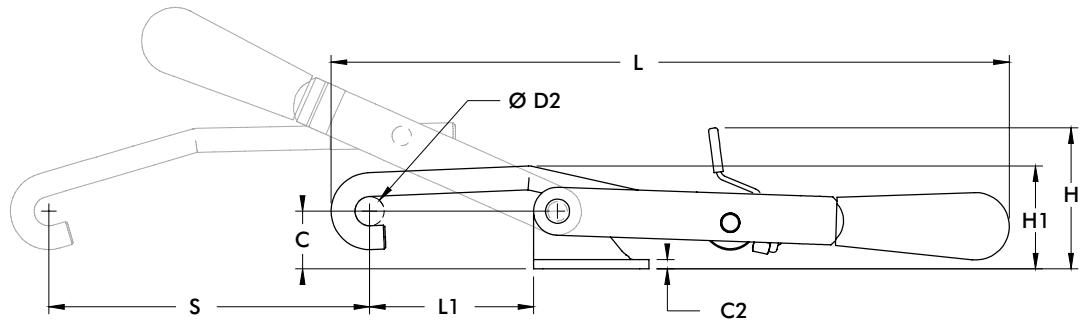
351
351-SS



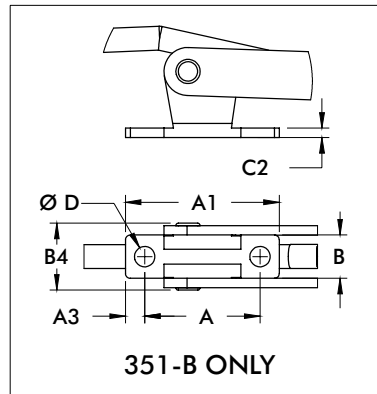
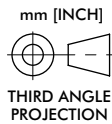
371
371-SS



381
381-SS



351-B
351-BSS
Narrow Base



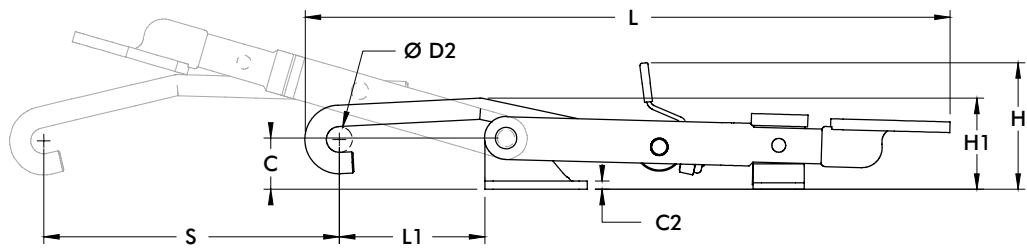
Model	A	A1	A3	B
330	[0.50]	[1.00]	[0.25]	[1.22]
330-SS	12,7	25,4	6,4	30,9
351	[0.75]	[1.50]	[0.50]	[1.37]
351-SS	19,1	38,1	12,7	34,8
351-B	[1.50]	[2.00]	[0.25]	[0.56]
351-BSS	38,1	38,1	6,4	14,3
371	[1.25]	[1.94]	[0.34]	[1.94]
371-SS	31,8	49,2	8,7	49,2
381	[1.13]	[2.13]	[0.50]	[2.37]
381-SS	28,6	54,1	12,7	60,3

Model	B1	B4	C	C2	ØD	ØD2	H	H1	L	L1 Max	M	S
330	[1.69]	-	[0.56]	[0.12]	[0.22]	[0.32]	[1.43]	[0.89]	[6.01]	[1.70]	M5	[2.35]
330-SS	42,9	-	14,2	3,1	5,6	8,1	36,2	22,6	152,7	43,3		59,7
351	[1.93]	-	[0.75]		[0.22]		[1.83]	[1.34]		[2.13]		
351-SS	49,1	-	19,1	[0.12]	5,5	[0.38]	46,6	34	[8.82]	54,2	M8	[4.00]
351-B		[0.87]	[0.86]	3,1	[0.27]	9,7	[1.94]	[1.45]	224	[1.63]		101,6
351-BSS		22,1	21,8		6,7		49,3	36,8		41,4		
371	[2.63]	-	[1.42]	[0.16]	[0.34]	[0.50]	[2.58]	[2.23]	[11.89]	[2.81]	M10	[5.38]
371-SS	66,7	-	36,1	4	8,7	12,7	65,6	56,5	302	71,5		136,7
381	[3.38]	-	[1.81]	[0.19]	[0.41]	[0.62]	[2.90]	[2.71]	[13.45]	[3.13]	M12	[6.13]
381-SS	85,9	-	46	4,7	10,3	15,7	73,6	68,8	341,7	79,5		155,7

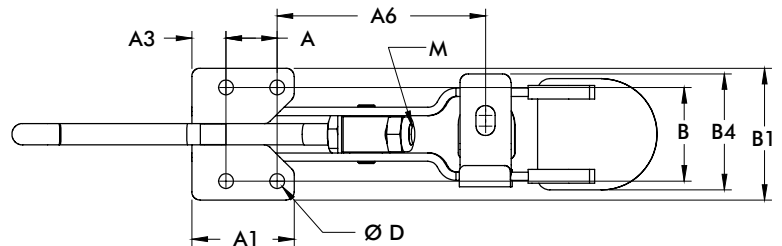
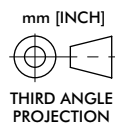
351-R, 371-R SERIES

Pull Action Latch Clamps | Dimensions

351-R
351-RSS
 with DESTACO®
 Toggle Lock
 Plus™

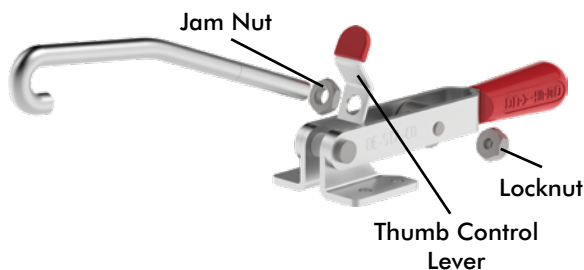


371-R
371-RSS
 with DESTACO®
 Toggle Lock
 Plus™



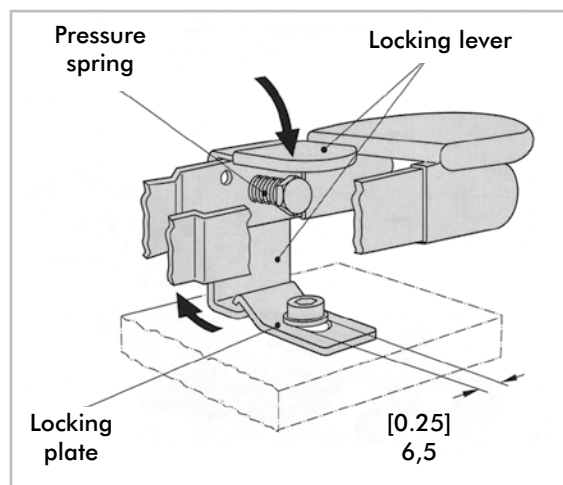
Model	A	A1	A3	A6	B	B1	B4	C	C2	ØD	H	H1
351-R	[0.75]	[1.50]	[0.50]	[3.06]	[1.37]	[1.93]	[1.70]	[0.75]	[0.12]	[0.22]	[1.85]	[1.34]
351-RSS	19,1	38,1	12,7	77,7	34,8	49,1	19,1	19,1	3,1	5,5	47,1	33,9
371-R	[1.25]	[1.94]	[0.34]	[4.73]	[1.94]	[2.63]	[2.25]	[1.42]	[0.16]	[0.34]	[2.65]	[2.22]
371-RSS	31,8	49,2	8,7	120,1	49,2	66,7	57,2	36,1	4	8,7	67,4	56,3

Model	L	L1	M	S
351-R	[9.45]	[2.13]	M8	[4.33]
351-RSS	240	54,2		110
371-R	[12.74]	[2.81]	M10	[5.59]
371-RSS	323,6	71,4		142



For added convenience, DESTACO Pull Action Toggle Clamps are supplied with a thumb control lever.

Replacement Thumb Control Lever	Used on Clamp Model
330-ZB1	330
351-ZB1	351, 351-B, 351-R, 351-SS, 351-RSS
371-ZB1	371, 371-R, 371-SS, 371-RSS
381-ZB1	381, 381-SS



Model 351-R, 351-RSS, 371-R, 371-RSS

Information concerning the assembly and function of the clamps locking mechanism

The locking plate which is supplied with the unit must be fastened with a screw (M6 or 1/4-20) as shown in this illustration. The screw head should be flat.

Function

When closing the latch clamp, the locking lever engages automatically. Actuate the locking lever to open the clamp.

330, 351, 371, 381 SERIES

Pull Action Latch Clamps | Replacement Hook Assembly Dimensions

Replacement Hook Assembly	Used on Clamp Model	A1	A2	B	ØC	M	Material				
330215	330	[2.00] 50,8	[1.50] 38,1	[0.75] 19,1	[0.32] 8,1	M5 x 0.8	Steel				
330215-M-25 ⓘ	330-M-25	[3.00] 76,2									
330215-M-50 ⓘ	330-M-50	[4.00] 101,6									
330215-M-100 ⓘ	330-M-100	[6.00] 152,4					[3.38] 85,9	[1.63] 41,4	[0.38] 9,6	M8 x 1.25	Stainless Steel
330915	330-SS	[2.00] 50,8									
330915-M-25 ⓘ	330-SS-M-25	[3.00] 76,2									
330915-M-50 ⓘ	330-SS-M-50	[4.00] 101,6									
330915-M-100 ⓘ	330-SS-M-100	[6.00] 152,4	[2.09] 53,1	[3.09] 78,5	[4.09] 103,9	M8 x 1.25	Steel				
351215	351, 351-B, 351-R	[2.09] 53,1									
351215-M-25 ⓘ	351-M-25 351-B-M-25 351-R-M-25	[3.09] 78,5									
351215-M-50 ⓘ	351-M-50 351-B-M-50 351-R-M-50	[4.09] 103,9									
351215-M-100 ⓘ	351-M-100 351-B-M-100 351-R-M-100	[6.09] 154,7					[2.09] 53,1	[3.09] 78,5	[4.09] 103,9	M8 x 1.25	Stainless Steel
351915	351-SS, 351-RSS	[2.09] 53,1									
351915-M-25 ⓘ	351-SS-M-25 351-RSS-M-25	[3.09] 78,5									
351915-M-50 ⓘ	351-SS-M-50 351-RSS-M-50	[4.09] 103,9									
351915-M-100 ⓘ	351-SS-M-100 351-RSS-M-100	[6.09] 154,7	[2.94] 74,7	[3.94] 100	[4.94] 125,5	M10 x 1.50	Steel				
371215	371, 371-R	[2.94] 74,7									
371215-M-25 ⓘ	371-M-25 371-R-M-25	[3.94] 100									
371215-M-50 ⓘ	371-M-50 371-R-M-50	[4.94] 125,5									
371215-M-100 ⓘ	371-M-100 371-R-M-100	[6.94] 176,3					[2.94] 74,7	[3.94] 100	[4.94] 125,5	M10 x 1.50	Stainless Steel
371915	371-SS, 371-RSS	[2.94] 74,7									
371915-M-25 ⓘ	371-SS-M-25, 371-RSS-M-25	[3.94] 100									
371915-M-50 ⓘ	371-SS-M-50 371-RSS-M-50	[4.94] 125,5									
371915-M-100 ⓘ	371-SS-M-100 371-RSS-M-100	[6.94] 176,3	[3.00] 76,2	[4.00] 101,6	[5.00] 127	M12 x 1.75	Steel				
381215	381	[3.00] 76,2									
381215-M-25 ⓘ	381-M-25	[4.00] 101,6									
381215-M-50 ⓘ	381-M-50	[5.00] 127									
381215-M-100 ⓘ	381-M-100	[7.00] 177,8					[3.00] 76,2	[4.00] 101,6	[5.00] 127	M12 x 1.75	Stainless Steel
381915	381-SS	[3.00] 76,2									
381915-M-25 ⓘ	381-SS-M-25	[4.00] 101,6									
381915-M-50 ⓘ	381-SS-M-50	[5.00] 127									
381915-M-100 ⓘ	381-SS-M-100	[7.00] 177,8									

ⓘ This item is available upon request.

