

803 SERIES

Pneumatic Toggle Clamps | Product Overview

Features:

- Pneumatic version of Model 603 manual straight line action clamp
- Sensor ready for round or T-slot style sensors

Applications:

- Assembly
- Welding

Also Available:

See page MC-ACC-1 for spindle accessories

See page MC-PSC-38 for sensing options

High temperature version available
Upon Request, add **-HT** to model number. Example: 803-U-**HT**

803
803-**ME**



Technical Information | Holding Capacities | Dimensions

Model	Maximum Holding Capacity	Maximum Exerting Force @ 5bar [72PSI]	Plunger Travel	Plunger Thread	Weight	Bore Size	Air Consumption† dm³ [ft³]	Port Size
803	[600 lbf] 2670 N	[675 lbf] 3015 N	[0.75] 19,1	5/16-18	[1.86lb] 0,84kg	[1.26] 32	[0.015] 0,42	1/8 NPT
803- ME				M8				G-1/8

†Per double stroke at 5bar [72PSI]

Max Cylinder Pressure: 10bar [145psig]

Max Operating Temp: -10°C to 90°C [-14°F to 194°F]

Replacement Seal Kit: 802450-32-1-00

Replacement Clamp Assembly: 803-LC, 803-M-LC

Replacement Cylinder Assembly: 807CYL

*In no case should the inlet pressure be high enough to create an exerting force that exceeds the clamp's holding capacity. See Technical Appendix Section for details.

Sensor Accessories

Round Reed Switch with Qk Disconnect

Item Number

810169

T-slot Reed Switch with Qk Disconnect

8EA-109-1

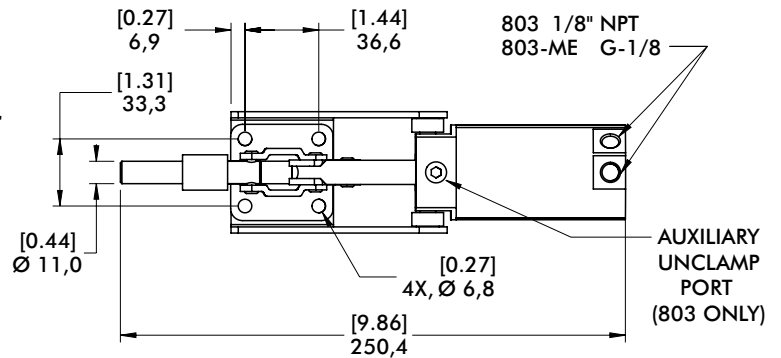
Quick Disconnect 2M Extension Cable

CABL-010

Quick Disconnect 5M Extension Cable

CABL-013

See Pneumatic Accessories section for more options



mm [INCH]
THIRD ANGLE PROJECTION

