

# 610 SERIES

## Straight Line Action Clamps | Product Overview

### Features:

- For push/pull clamping
- Allow handle to rotate and fall below mounting plane to lock in retracted position

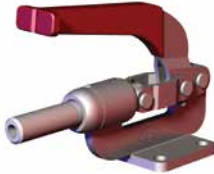
### Applications:

- Assembly & test
- Woodworking
- Tensioning devices

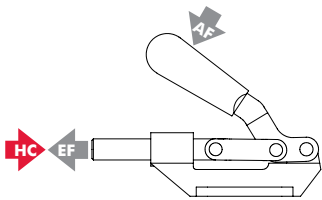
### Also Available:

See page MC-ACC-1 for accessories

610  
610-M

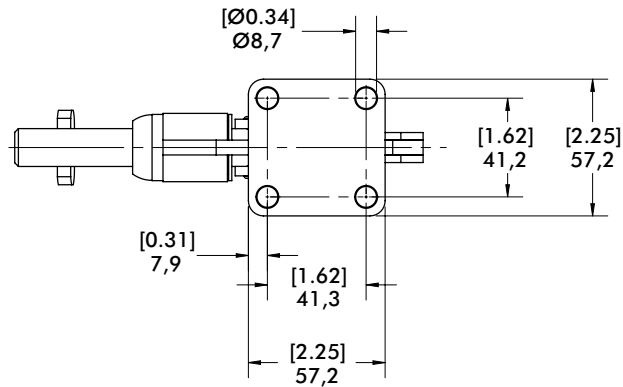
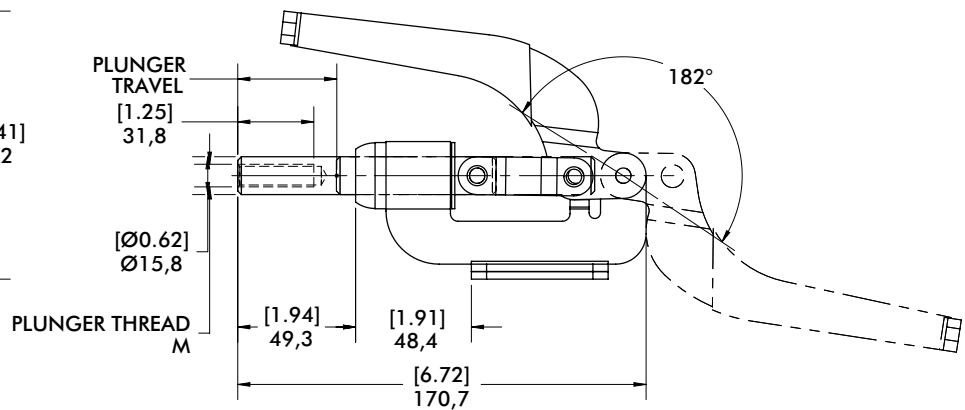
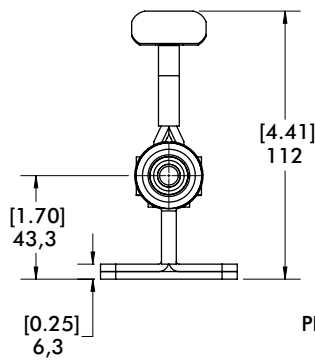


## Technical Information | Holding Capacities | Dimensions



Model	Max. Holding Capacity	Weight	EF:AF (pushing/pulling)	Plunger Travel	(M) Plunger Thread	Recommended Spindle (Not Supplied)
610	[800 lbf] 3560 N	[1.69lb] 0,77kg	51:1/70:1	[1.63] 41,4	3/8-16	210203
610-M					M10	210203-M

HC = Holding Capacity, EF = Exerting Force, AF = Applied Force



mm [INCH]  
THIRD ANGLE PROJECTION