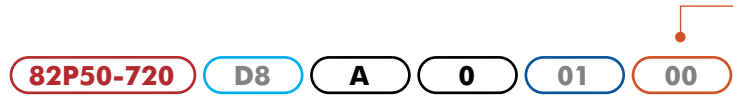


82P50/82P63

Pneumatic Pin Clamp | Tolerance Compensating | Ordering and Technical Information



Base Model	Description
82P50-720	50 mm Tandem Cylinder (G1/8 Port)
82P63-720	63 mm Tandem Cylinder (G1/8 Port)

Tolerance	Description
A	0-6 mm [0-0.236 in] tolerance compensation

Sensor	Description
D8	Inductive Sensing System with M12x1 Connector (8EA-151-1)



82P50-720

82P63-720

Specification	Unit	82P50	82P63
Clamping Force @ 5 bar	N [lbf]	1500 [337]	2500 [562]
Max. Operating Pressure	bar [psi]	6 [87]	6 [87]
Air Consumption			
Clamping @ 6 bar	liter [in ³]	0,66 [40.28]	0,92 [56.14]
Opening @ 6 bar	liter [in ³]	0,33 [20.13]	0,46 [28.07]
Weight	kg [lb]	3,2 [7.05]	3,9 [8.59]
Time:			
Clamping	sec	0,3	0,3
Opening	sec	0,3	0,3

82P50/82P63

Pneumatic Pin Clamp | Tolerance Compensating | Ordering and Technical Specifications

Hooks For 82P50
01 for Flange Hole
03 for Flat Hole



Hooks For 82P63
02 for Flange Hole
04 for Flat Hole



Centering Pin For 82P50 with Hook
00 None **01** or **03**
01 18 mm Round **01** or **03**
02 20 mm Round **01** or **03**
06 19,9 mm Round **01** or **03**
07 19,9 mm Diamond **01** or **03**



Centering Pin For 82P63 with Hook
00 None **02** or **04**
03 30 mm Round **02**
04 30 mm Diamond **02**
05 25 mm Round **02**
08 23 mm Round **02**
09 28 mm Round **02**
10 40 mm Round **04**
11 40 mm Diamond **04**

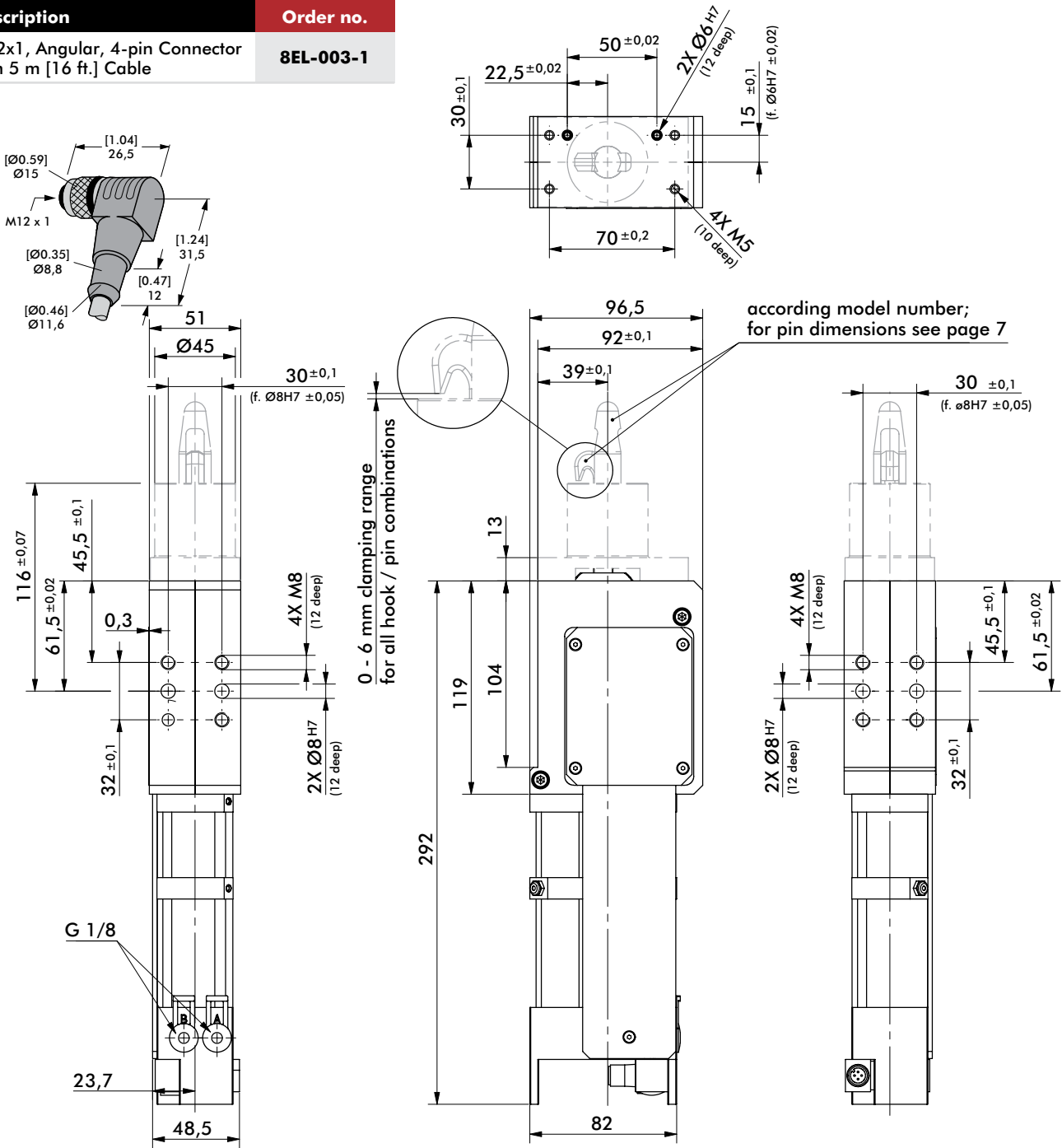


82P50

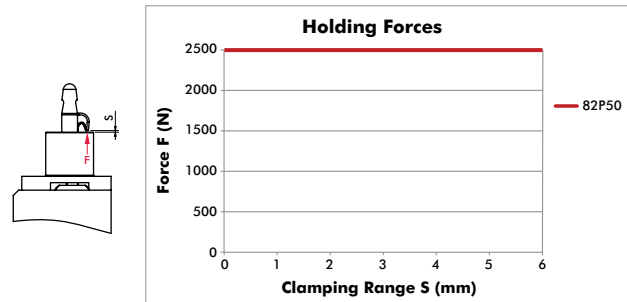
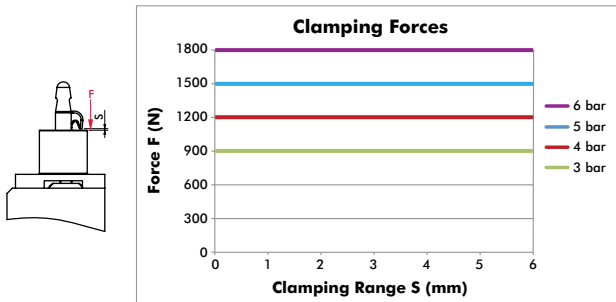
Pneumatic Pin Clamp | Tolerance Compensating | Dimensions and Technical Specifications

Sensor Cables Order separately

Description	Order no.
M12x1, Angular, 4-pin Connector with 5 m [16 ft.] Cable	8EL-003-1

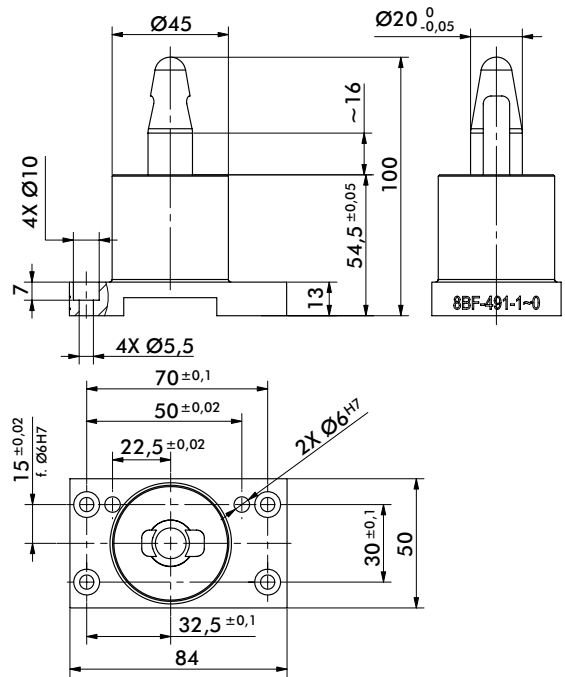
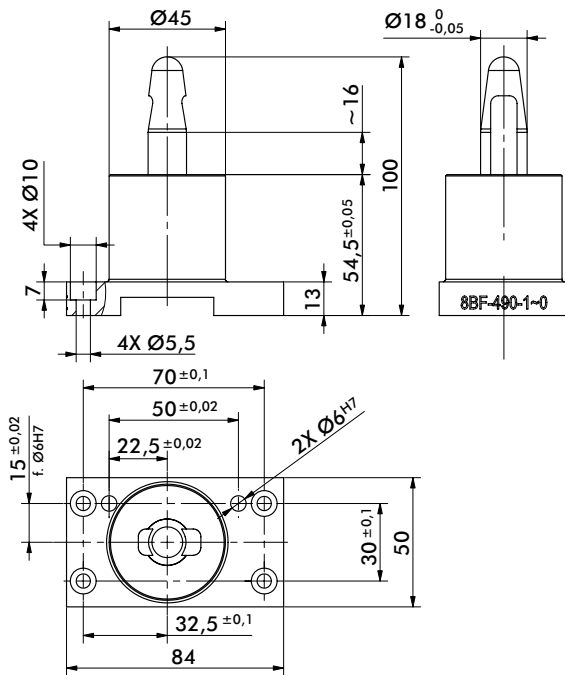


Operation with oil-free air is permissible.



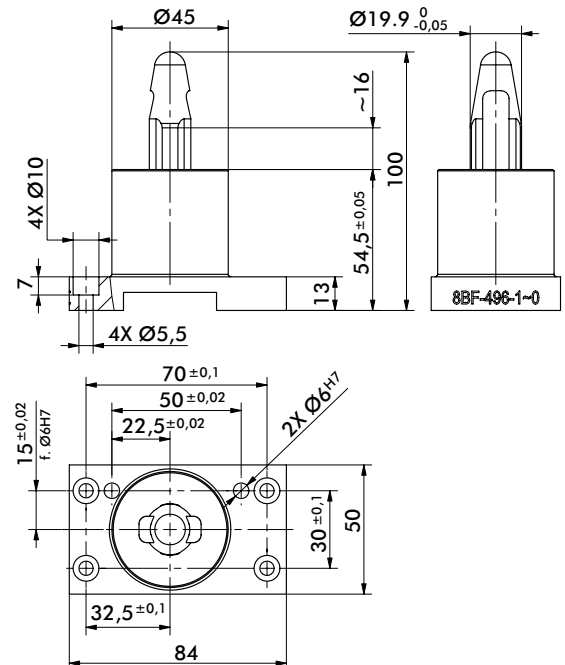
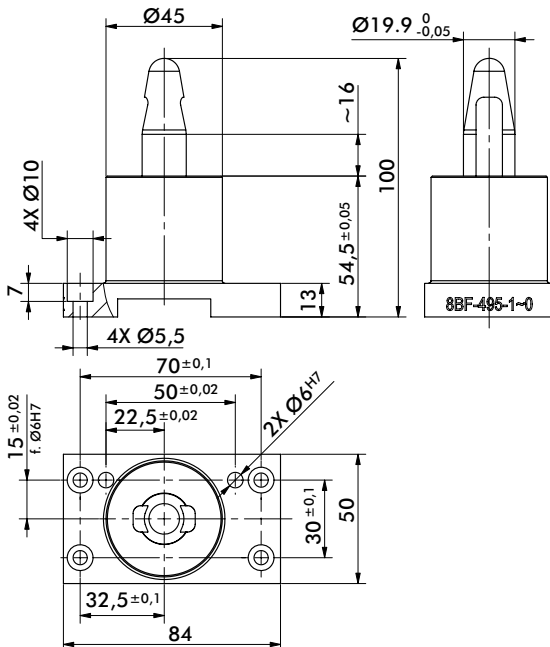
82P50 CENTERING PINS

Pneumatic Pin Clamp | Tolerance Compensating | Dimensions and Technical Specifications



Specification	8BF-490-1
Weight	~0,60 Kg
Diameter and Tolerance	Ø18 -0.05
Shape	Round

Specification	8BF-491-1
Weight	~0,60 Kg
Diameter and Tolerance	Ø20 -0.05
Shape	Round



Specification	8BF-495-1
Weight	~0,60 Kg
Diameter and Tolerance	Ø19,90 -0.05
Shape	Round

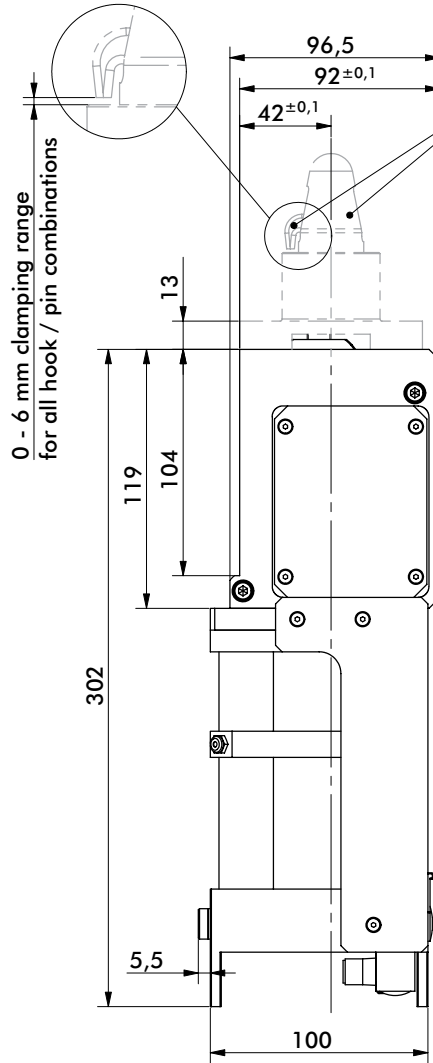
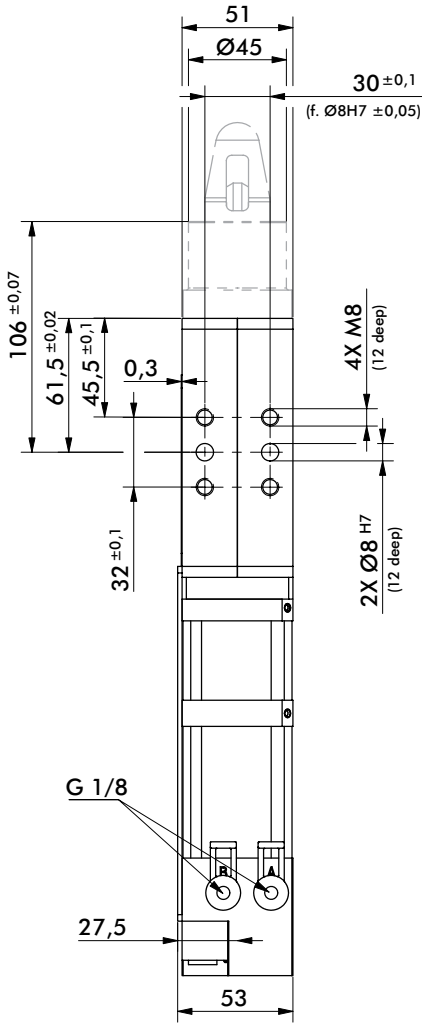
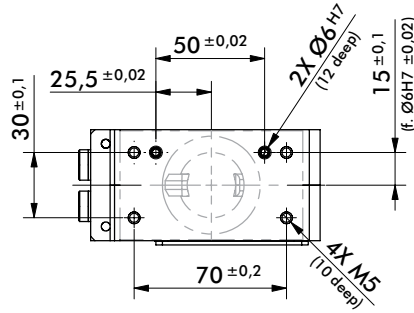
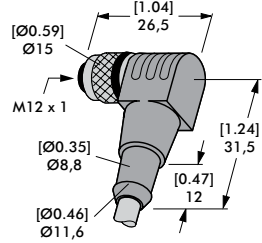
Specification	8BF-496-1
Weight	~0,60 Kg
Diameter and Tolerance	Ø19,90 -0.05
Shape	Diamond

82P63

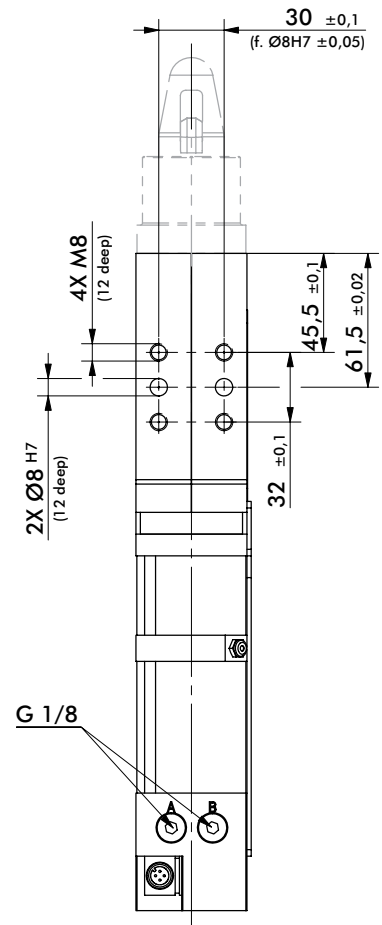
Pneumatic Pin Clamp | Tolerance Compensating | Dimensions and Technical Specifications

Sensor Cables Order separately

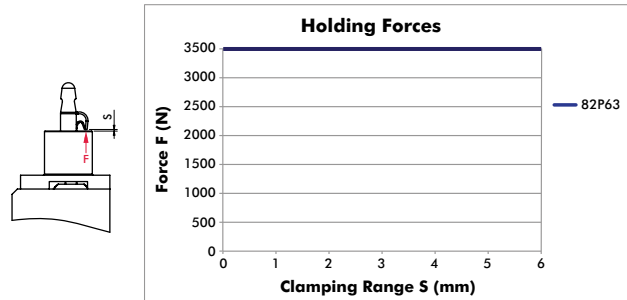
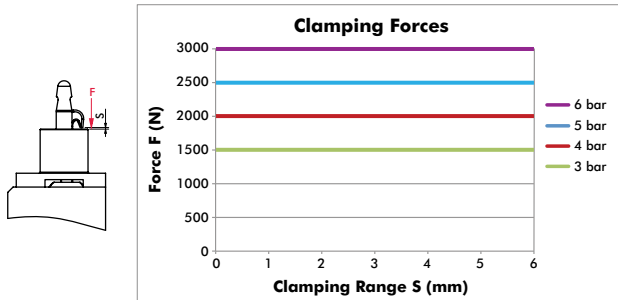
Description	Order no.
M12x1, Angular, 4-pin Connector with 5 m [16 ft.] Cable	8EL-003-1



according model number; for pin dimensions see pages 9-10

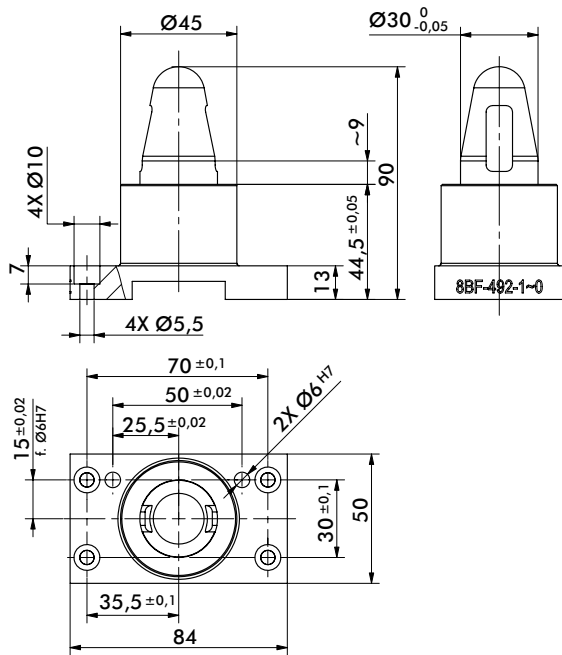


Operation with oil-free air is permissible.

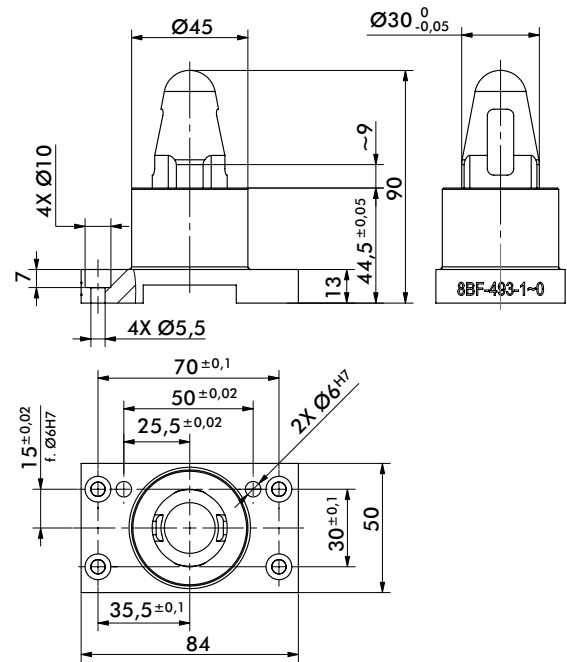


82P63 CENTERING PINS

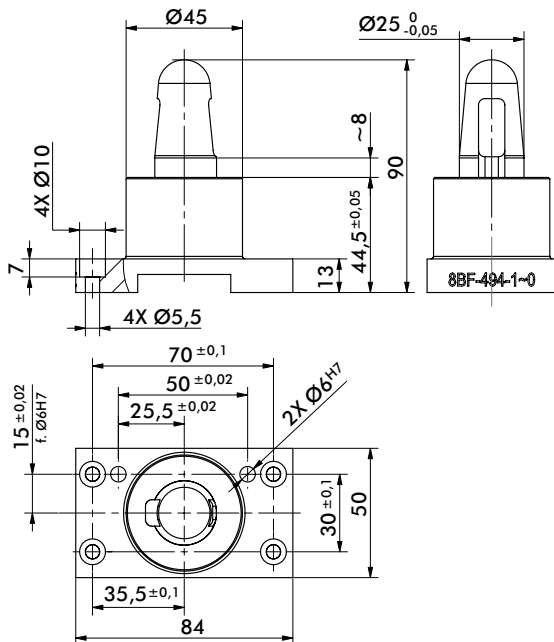
Pneumatic Pin Clamp | Tolerance Compensating | Dimensions and Technical Specifications



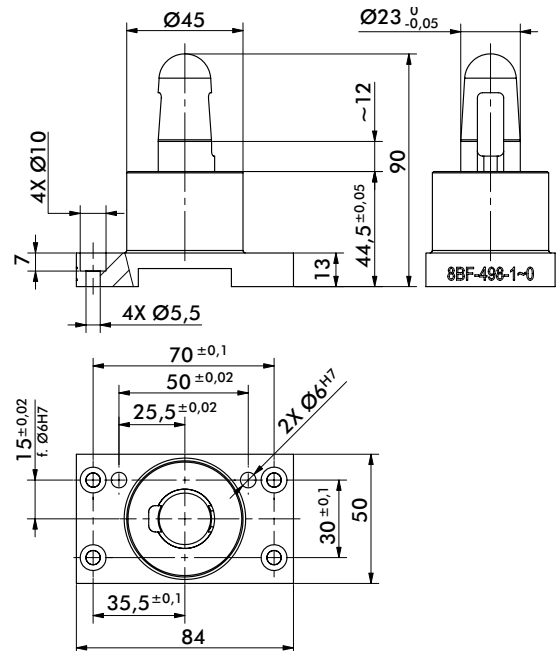
Specification	8BF-492-1
Weight	~0,57 Kg
Diameter and Tolerance	Ø30 -0.05
Shape	Round



Specification	8BF-493-1
Weight	~0,57 Kg
Diameter and Tolerance	Ø30 -0.05
Shape	Diamond



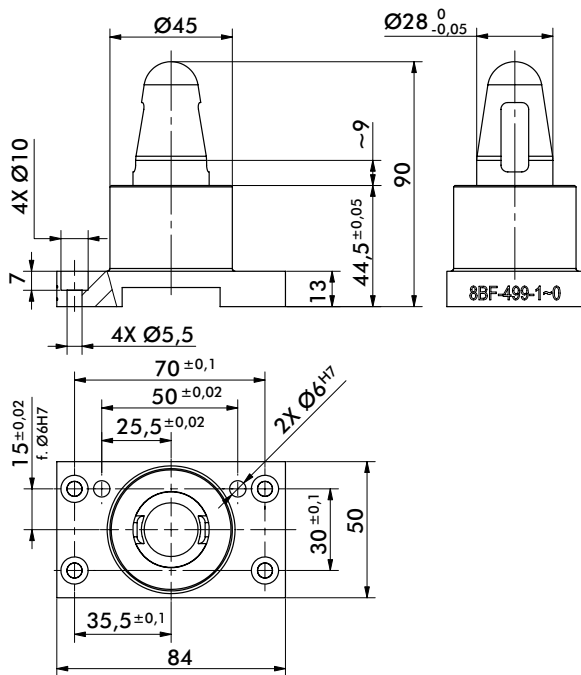
Specification	8BF-494-1
Weight	~0,54 Kg
Diameter and Tolerance	Ø25 -0.05
Shape	Round



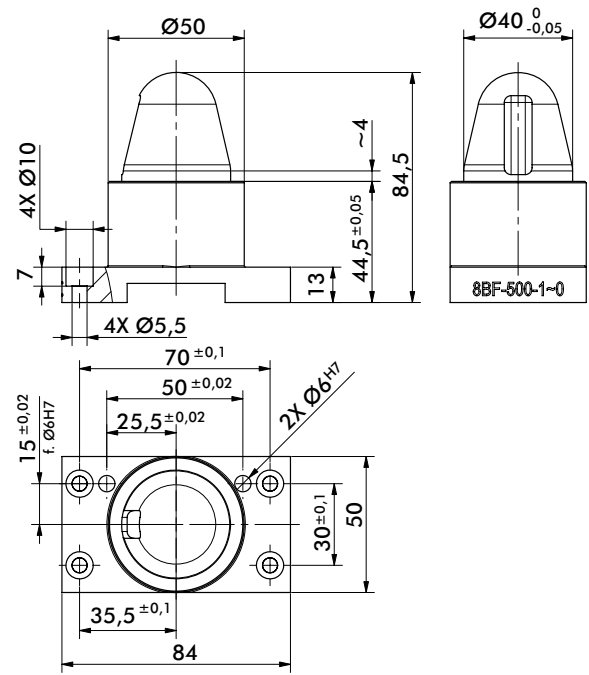
Specification	8BF-498-1
Weight	~0,53 Kg
Diameter and Tolerance	Ø23 -0.05
Shape	Round

82P63 CENTERING PINS

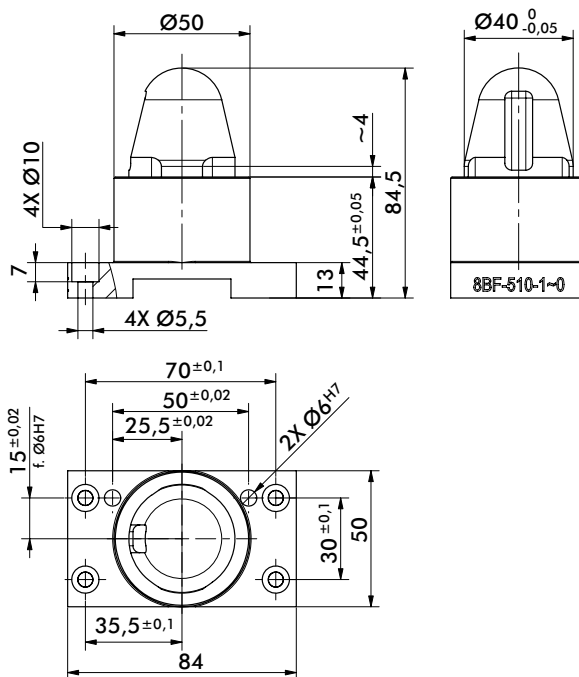
Pneumatic Pin Clamp | Tolerance Compensating | Dimensions and Technical Specifications



Specification	8BF-499-1
Weight	~0,56 Kg
Diameter and Tolerance	Ø28 -0.05
Shape	Round



Specification	8BF-500-1
Weight	~0,68 Kg
Diameter and Tolerance	Ø40 -0.05
Shape	Round

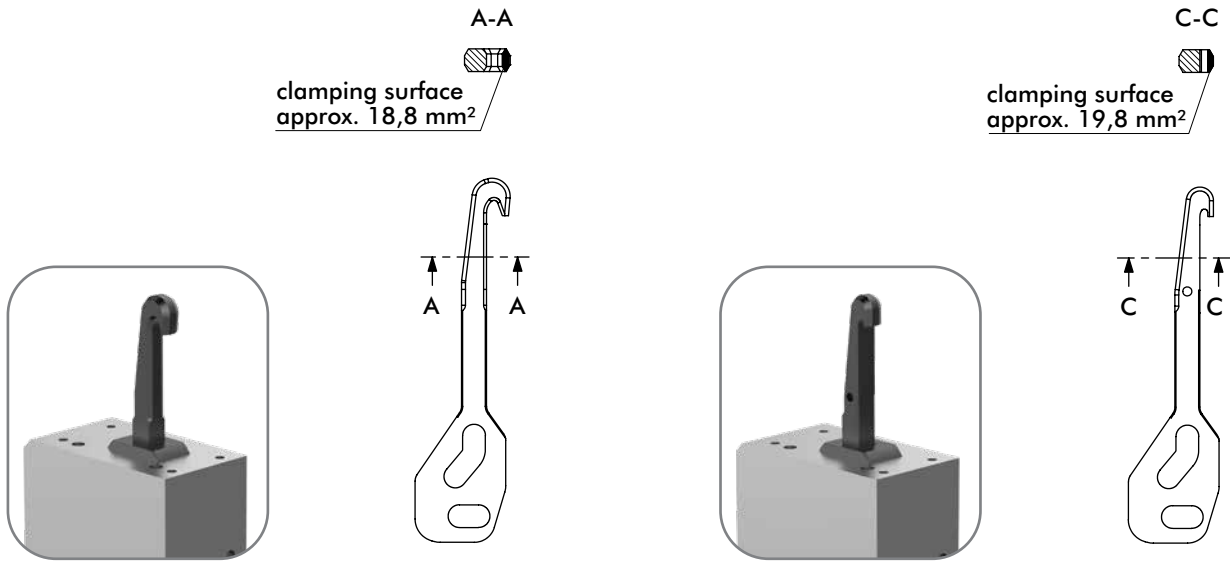


Specification	8BF-510-1
Weight	~0,68 Kg
Diameter and Tolerance	Ø40 -0.05
Shape	Diamond

82P50/82P63 CLAMPING HOOKS

Pneumatic Pin Clamp | Tolerance Compensating | Surface Pressure of Clamping Hooks

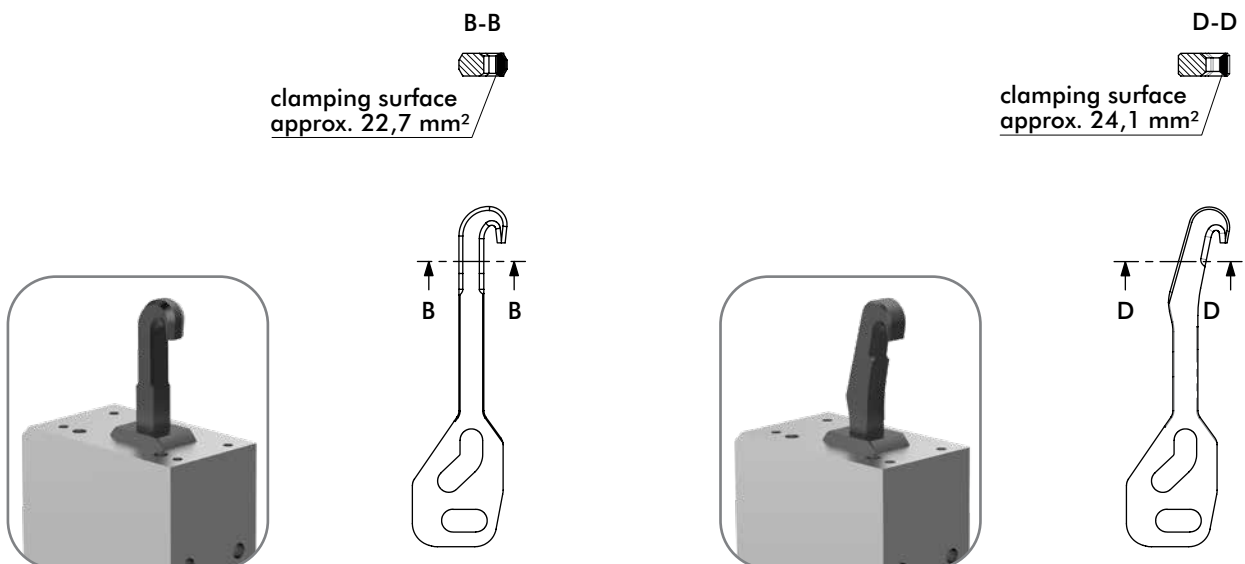
82P50



Specification	8JH-162-1			
Pressure [bar]	3.0	4.0	5.0	6.0
Clamping Force [N]	900	1200	1500	1800
Surface Pressure [N/mm ²]	48	64	80	96

Specification	8JH-164-1			
Pressure [bar]	3.0	4.0	5.0	6.0
Clamping Force [N]	900	1200	1500	1800
Surface Pressure [N/mm ²]	45	61	76	91

82P63



Specification	8JH-163-1			
Pressure [bar]	3.0	4.0	5.0	6.0
Clamping Force [N]	1500	2000	2500	3000
Surface Pressure [N/mm ²]	66	88	110	132

Specification	8JH-165-1			
Pressure [bar]	3.0	4.0	5.0	6.0
Clamping Force [N]	1500	2000	1500	1800
Surface Pressure [N/mm ²]	62	83	104	124