

PRECISION INDEXING SOLUTIONS

Table of Contents

INDEXERS

Servo Positioners



GTB Series
Globoidal (Roller Gear)
Servo Positioner.....IN-SRV-1



RSD Series
Rotary Servo Drives.....IN-SRV-39

Mechanical Indexers



RDM Series
Rotary Index Drive IN-MCH-2



RD Series
Roller Dial Index Drive..... IN-MCH-18



E Series
Heavy-Duty Index Drive IN-MCH-30



RA Series
Right Angle Index Drive IN-MCH-42



RGD/RGS Series
Roller Gear Index Drive IN-MCH-52



P Series
Parallel Shaft/Flange Drive.... IN-MCH-72



RNG Series
Ring Drive Dial Indexer.....IN-MCH-84

OVERLOAD CLUTCHES



Overload Clutches
Output Overload..... IN-CLU-1

CUSTOM CAMS



Custom Cams
Cam Design Solutions IN-CAM-1

CONVEYORS



Rite-Link Series
Thin-Profile.....IN-CNV-1



Precision Link Series
Table-TopIN-CNV-4



Precision Link Series
Heavy-Duty IN-CNV-16

PARTS HANDLERS



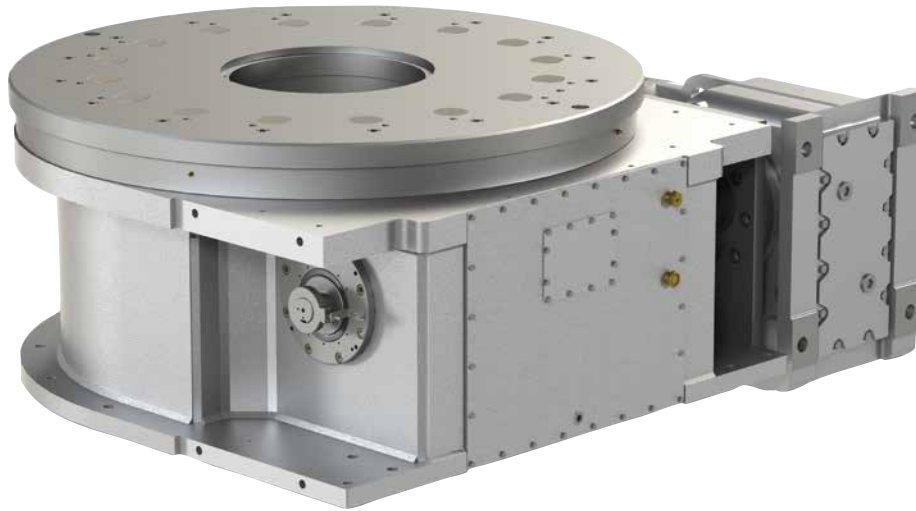
LPP Series
Linear Part Handlers IN-PRT-2



RPP Series
Rotary Part Handlers IN-PRT-8

HEAVY DUTY INDEX DRIVE

Table of Contents



Features:

The **CAMCO E-Series Heavy Duty Index Drive** is ideal for heavy-duty rotary dial applications with features including:

Large output mounting surface supported by a 4-point contact bearing providing superior thrust and moment capacity

Large center thru-hole to accommodate stationary center post, electrical wiring and air or hydraulic lines

Complete motorized drive package with reducer and AC inverter drive to suit most applications

Precision cam with preloaded cam followers for maximum accuracy

Durable welded steel housing

Preloaded "center rib" design for smooth acceleration and deceleration with precision positioning

Table of Contents

How to Order	3
750E.....	5
950E.....	7
1150E.....	9
1550E.....	11

E-SERIES

Heavy Duty Index Drive | How To Order

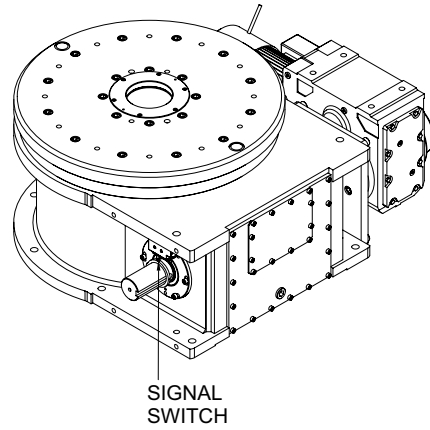
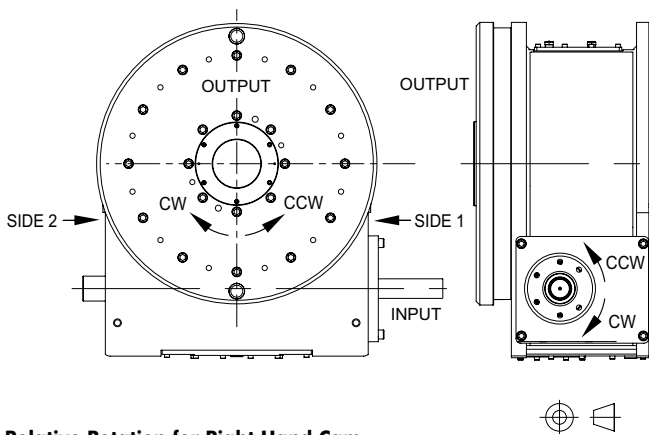
Base Model Description 750E w/ KH87 reducer & 12.5 HP AC motor (220/440V) 950E w/ KH87 reducer & 15 HP AC motor (220/440V) 1150E w/ KH107 reducer & 25 HP AC motor (220/440V) 1550E w/ KH127 reducer & 30 HP AC motor (220/440V)			Control (only available with these models) 1 15 HP 240V 750E & 950E only 2 15 HP 440V 750E & 950E only 3 25 HP 240V 1150E only 4 25 HP 440V 1150E only 5 30 HP 240V 1550E only 6 30 HP 440V 1550E only		
---	--	--	---	--	--

Motion Stops Index Period A 2 330 B 3 330 C 4 330 D 6 330 E 8 330 F 12 330 G 16 330	Index Mounting (See Figure 1) 1 2 3 4 5 6	Reducer Ratio 750E 950E 1150E 1550E A 14.50 29.00 40.19 B 19.95 42.33 54.07 C 24.92 49.90 70.95 D 31.39 52.17 81.98 E 44.02 66.52 89.89 F 49.16 73.30 110.18 G 63.00 82.61 122.98	Reducer Mounting (See Figure 3) A	Signal Switch M Mechanical P Proximity Example: MS or PS Note about signal switch options: a) Mechanical is a single switch with cam. b) Proximity option is a mounting bracket for 8 or 12 mm proximity switch. A proximity switch will not be supplied. Cam supplied as target.	Signal Switch Side (See Figure 2) S Shaft
--	---	---	---	---	---

Other Motions (stops and index periods) available. Contact your DESTACO sales representative for more information.

Input Shaft Configuration/Rotations (Figure 1)

Signal Switch Mounting Position (Figure 2)

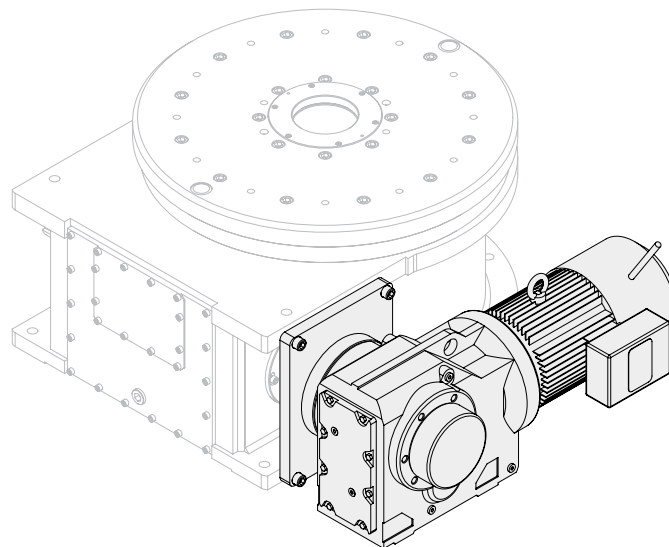


Relative Rotation for Right Hand Cam:

- CW Input Side 1 CCW Output
- CCW Input Side 2 CWW Output

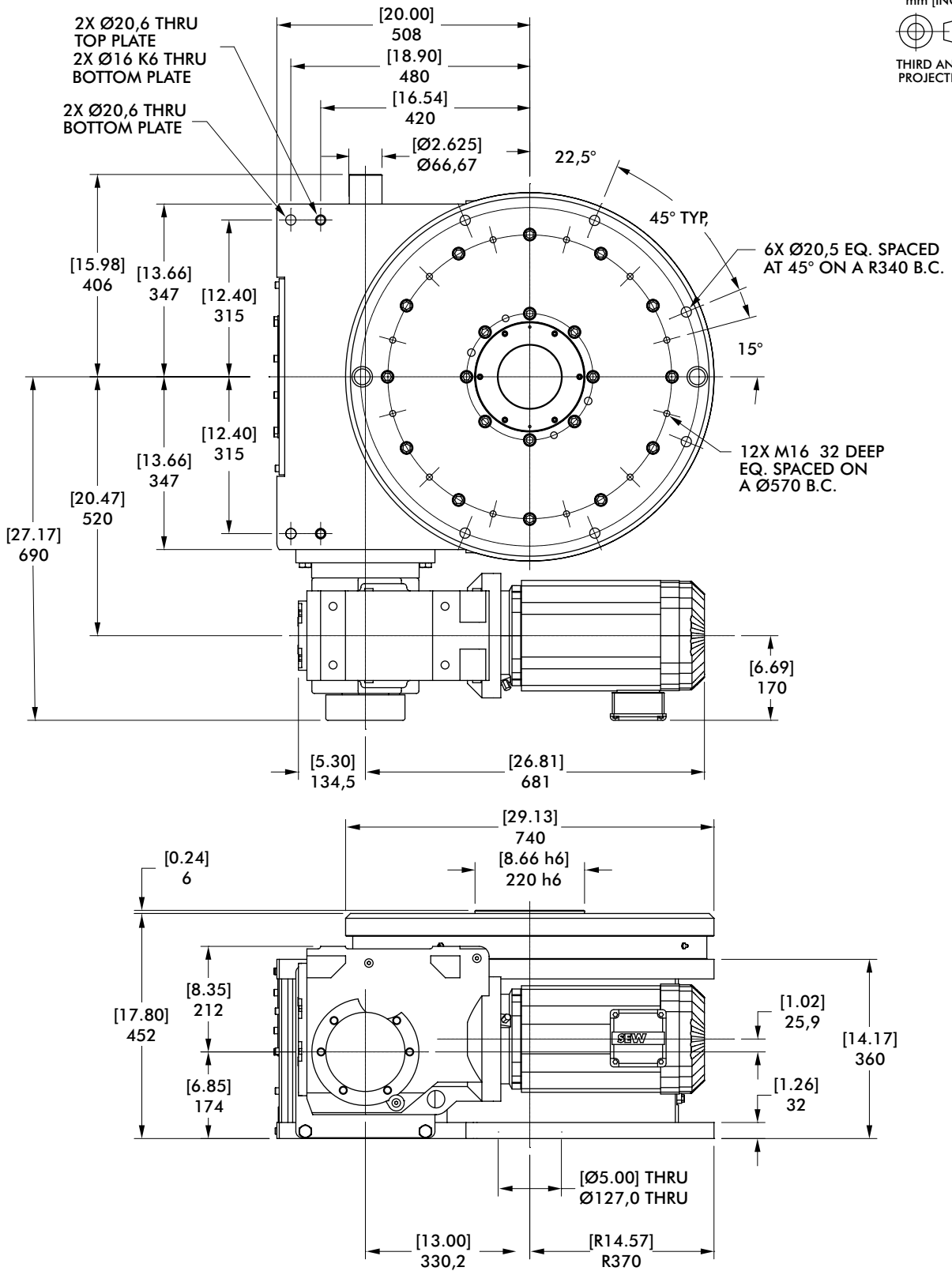
NOTE: Input can be driven in either direction

Gear Reducer Mounting Position (Figure 3)



750E SERIES

Heavy Duty Index Drive | Dimensions



Maximum Inertia x 1000 [lb-in ²] kg-cm ² for standard package							
Stops	Motion Time [seconds]						
	0.44	0.59	0.76	0.96	1.35	1.50	1.93
2	[0] 0	[27] 79	[105] 307	[254] 743	[751] 2198	[987] 2888	[1647] 4820
3	[14] 41	[98] 287	[257] 752	[562] 1645	[1577] 4615	[2058] 6023	[3407] 9970
4	[67] 196	[231] 676	[542] 1586	[1140] 3336	[3128] 9154	[4072] 11916	[6714] 19648
6	[191] 559	[542] 1586	[1209] 3538	[2491] 7290	[6756] 19771	[8781] 25697	[14447] 42278
8	[372] 1089	[931] 2724	[1677] 4908	[2841] 8314	[5587] 16350	[6968] 20391	[11444] 33490
12	[886] 2593	[2291] 6704	[4840] 14164	[8195] 23982	[16116] 47162	[20100] 58821	[33010] 96600
16	[1351] 3954	[2717] 7951	[4837] 14155	[8254] 24154	[16263] 47592	[20283] 59356	[33311] 97481
Reducer Ratio							
	14.45	19.45	24.92	31.39	44.02	49.16	63.00

Features

- KH87 Gear Reducer with Brake-motor
- Double Extended Camshaft (Input shaft)
- Center Thru Hole (Ø127 mm [Ø5 in])
- Cycle Cam and Limit Switch
- Right Hand Cam

Optional Accessories

- Left Hand Cam
- Relief in Dwell for Shot-Pin applications
- Dual Cam & limit Switch
- KH97 Gear Reducer with Brake-motor
- Stationary Center Post
- Visual Disk Dwell Indicator

Output Load Capacity (loads carried during index):

Radial	129888 N [29200 lbs]
Thrust/Axial	186825 N [42000 lbs]
Moment	46830 N-m [414500 in-lbs]

Typical Application

Dial Diameter: 1397 mm to 2794 mm [55 in to 110 in]

Accuracy

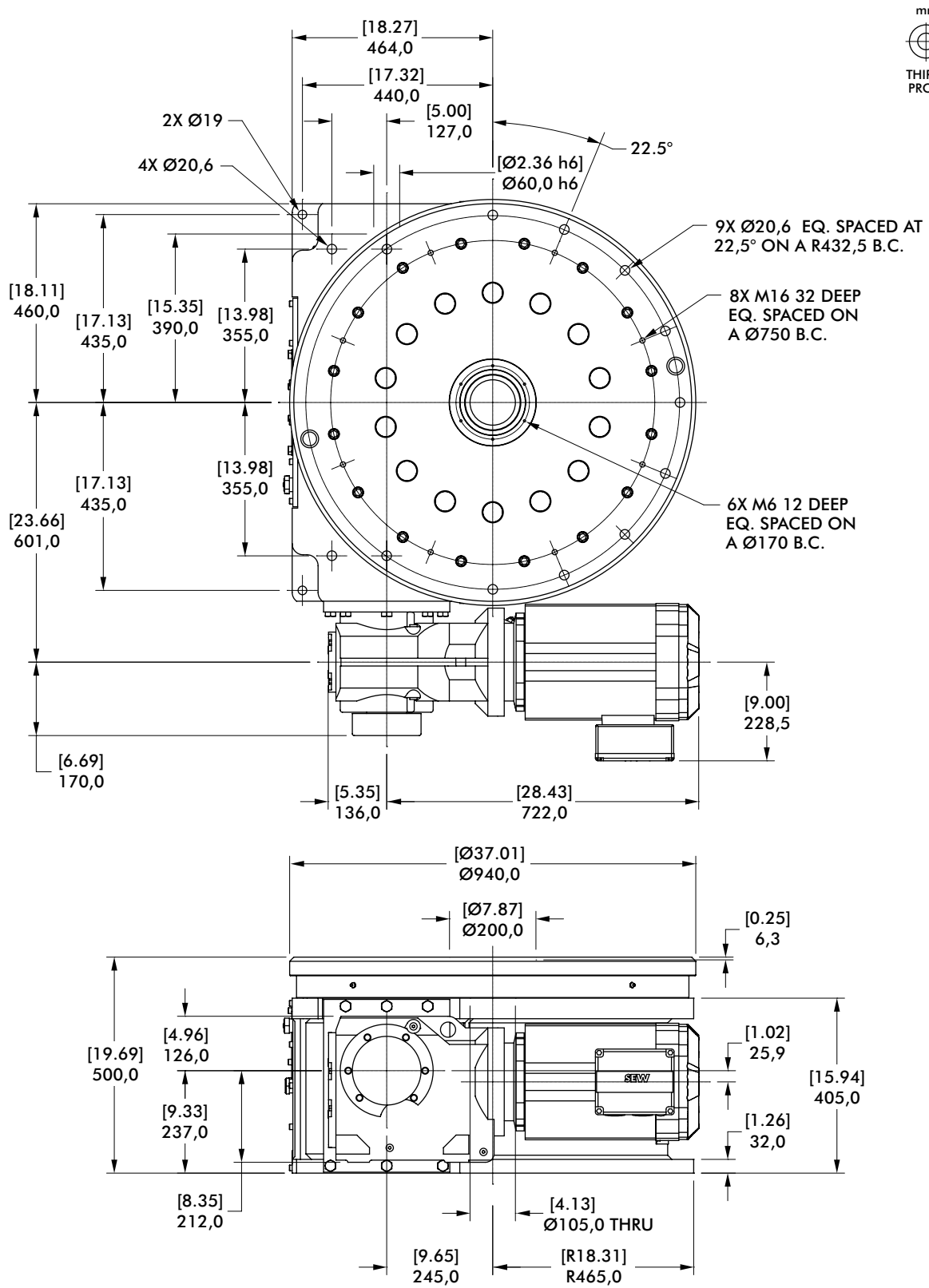
±27 arcsec / ±.0,05 mm [±.002 in]
at 381 mm [15in] Radius

Repeatability

±7 arcsec / ±.0,013 mm [±.0005 in]
at 381 mm [15in] Radius

950E SERIES

Heavy Duty Index Drive | Dimensions



Maximum Inertia x 1000 [lb-in ²] kg-cm ² for standard package							
Stops	Motion Time [seconds]						
	0.44	0.59	0.76	0.96	1.35	1.50	1.93
2	[0] 0	[0] 0	[61] 179	[224] 656	[619] 1811	[833] 2438	[1433] 4194
3	[0] 0	[59] 173	[250] 732	[619] 1811	[1507] 4410	[1989] 5821	[3337] 9765
4	[16] 47	[205] 600	[564] 1650	[1252] 3664	[2911] 8519	[3810] 11150	[6329] 18521
6	[187] 547	[634] 1855	[1479] 4328	[3102] 9078	[7013] 20523	[9135] 26733	[15073] 44110
8	[412] 1206	[1169] 3421	[2603] 7617	[5287] 15472	[11478] 33589	[14315] 41891	[23511] 68803
12	[1025] 3000	[2729] 7986	[5956] 17430	[10793] 31585	[23621] 69124	[30484] 89208	[53172] 155602
16	[1290] 3775	[2647] 7746	[4753] 13909	[8147] 23841	[17305] 50641	[21582] 63157	[35445] 103726
Reducer Ratio							
	14.45	19.45	24.92	31.39	44.02	49.16	63.00

Features

- KH87 Gear Reducer with Brake-motor
- Double Extended Camshaft (Input shaft)
- Center Thru Hole (Ø105 mm [Ø4.13 in])
- Cycle Cam and Limit Switch
- Right Hand Cam

Optional Accessories

- Left Hand Cam
- Relief in Dwell for Shot-Pin applications
- Dual Cam & limit Switch
- KH97 Gear Reducer with Brake-motor
- Stationary Center Post
- Visual Disk Dwell Indicator

Output Load Capacity (loads carried during index):

Radial	233976 N [52600 lbs]
Thrust/Axial	337397 N [75850 lbs]
Moment	110438 N-m [977500 in-lbs]

Typical Application Dial Diameter:

1778 mm to 3556 mm [70 in to 140 in]

Accuracy

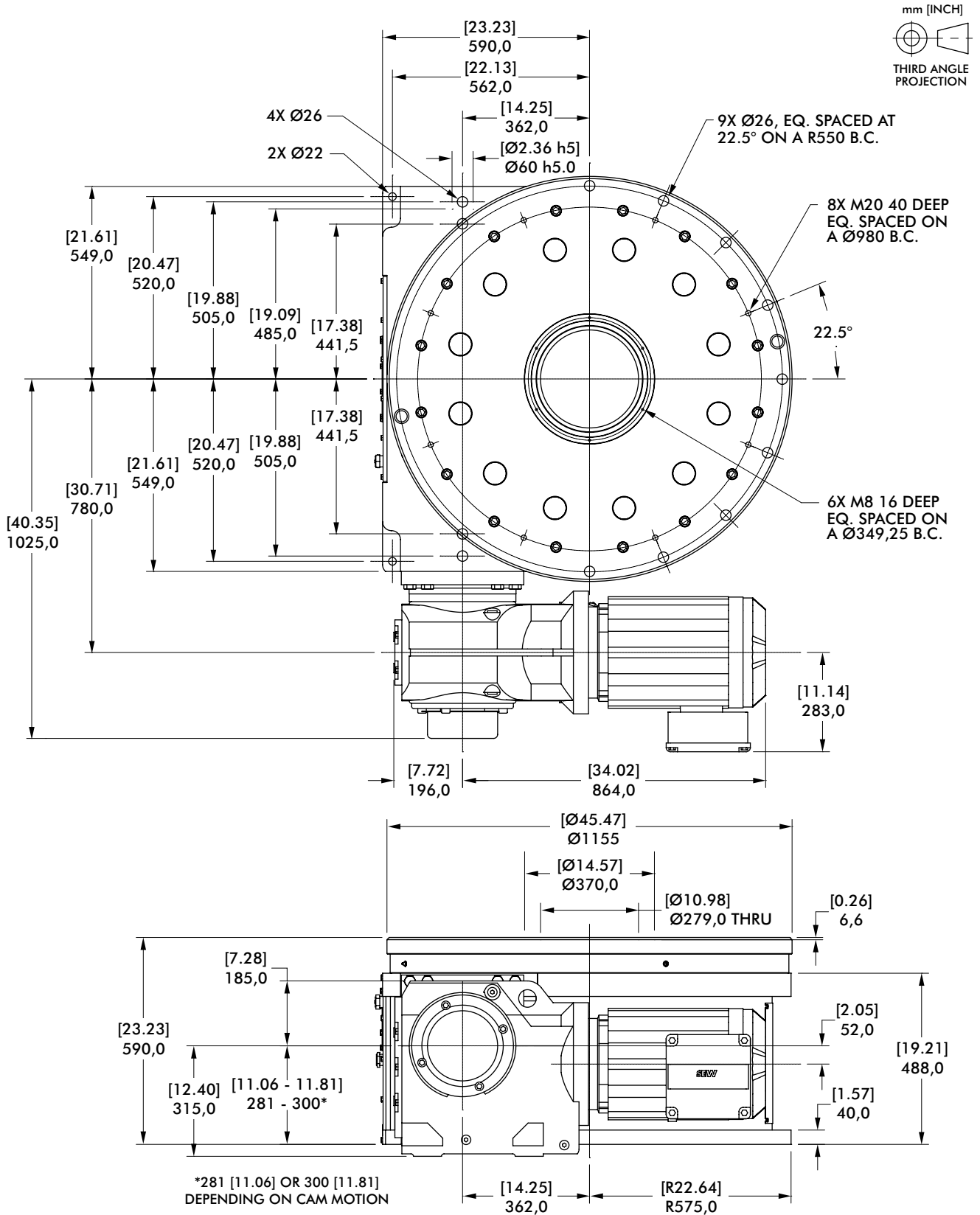
±29 arcsec / ±0,058 mm [±.0023 in] at 762 mm [30in] Radius

Repeatability

±6 arcsec / ±.0,015 mm [±.0006 in] at 762 mm [30in] Radius

1150E SERIES

Heavy Duty Index Drive | Dimensions



Maximum Inertia x 1000 kg-cm ² [lb-in ²] for standard package							
Stops	Motion Time [seconds]						
	0.89	1.29	1.52	1.75	2.03	2.24	2.52
2	[134] 392	[1141] 3339	[2093] 6125	[3329] 9742	[4746] 13889	[5835] 17076	[7501] 21951
3	[698] 2043	[2965] 8677	[5108] 14948	[7887] 23080	[11077] 32416	[13526] 39582	[17275] 50554
4	[1445] 4229	[5474] 16019	[9284] 27169	[14225] 41628	[19896] 58224	[24249] 70962	[30915] 90470
6	[3780] 11062	[12845] 37590	[21419] 62680	[32537] 95216	[45296] 132554	[55090] 161215	[70088] 205105
8	[6581] 19259	[21959] 64261	[36502] 106819	[54381] 159140	[73624] 215453	[89397] 261611	[113548] 332286
12	[15621] 45713	[50221] 146967	[82944] 242727	[123772] 362206	[167569] 490373	[203468] 595428	[258436] 756286
16	[27975] 81866	[61083] 178753	[84884] 248404	[111420] 326059	[150846] 441435	[183162] 536005	[232645] 680812
Reducer Ratio							
	29.00	42.33	49.90	57.17	66.52	73.30	82.61

Features

- KH107 Gear Reducer with Brake-motor
- Double Extended Camshaft (Input shaft)
- Center Thru Hole (Ø278 mm [Ø10.94 in])
- Cycle Cam & limit Switch
- Right Hand Cam

Optional Accessories

- Left Hand Cam
- Relief in Dwell for Shot-Pin applications
- Dual Cam & limit Switch
- KH127 Gear Reducer with Brake-motor
- Stationary Center Post
- Visual Disk Dwell Indicator

Output Load Capacity (loads carried during index):

Radial	262556 N [59025 lbs]
Thrust/Axial	380189 N [85470 lbs]
Moment	165968 N-m [1469000 in-lbs]

Typical Application Dial Diameter:

2286 mm to 4572 mm [90 in to 180 in]

Accuracy

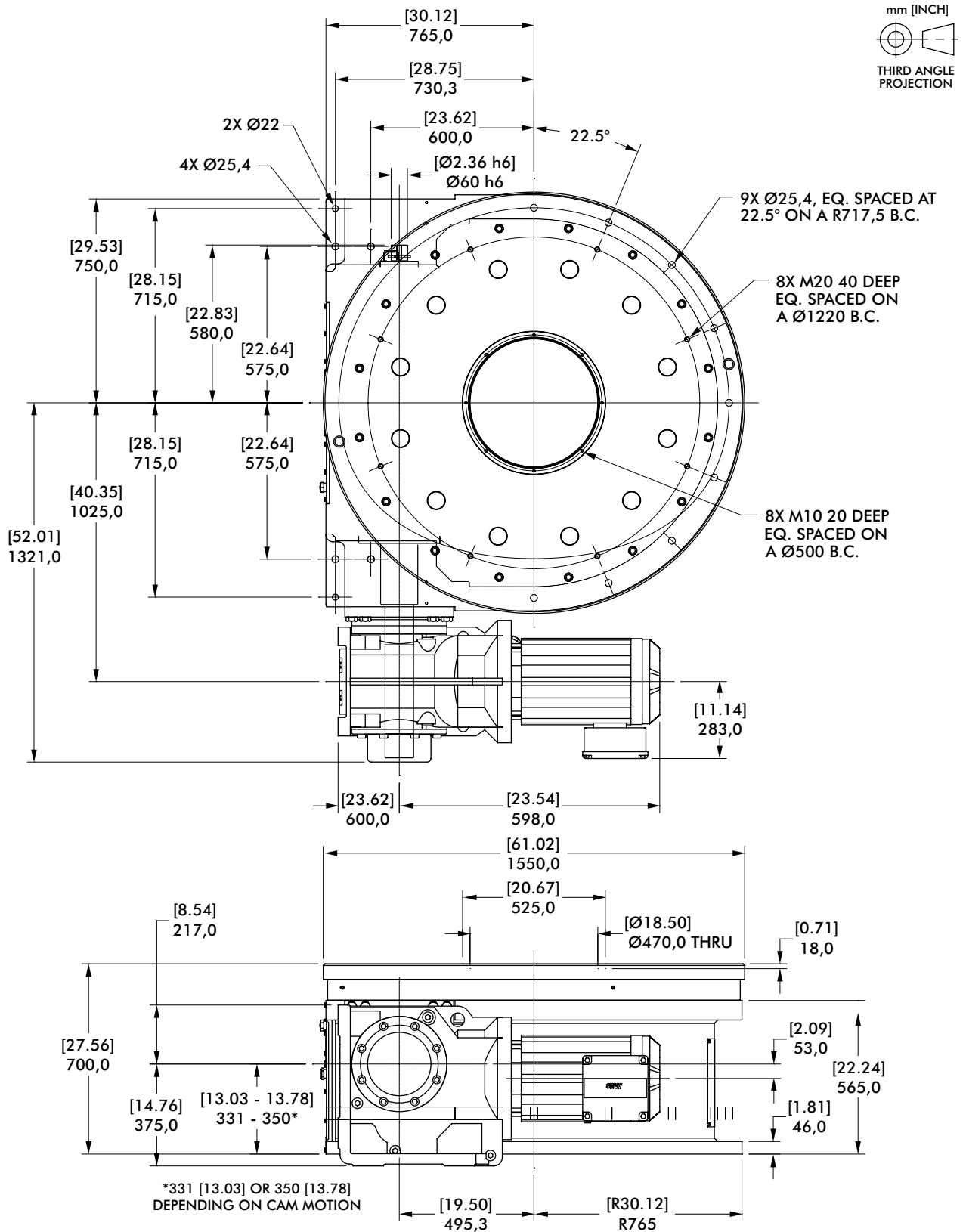
±16 arcsec / ±0,05 mm [±.002 in]
at 635 mm [25in] Radius

Repeatability

±4 arcsec / ±0,013 mm [±.0005 in]
at 635 mm [25in] Radius

1550E SERIES

Heavy Duty Index Drive | Dimensions



Maximum Inertia x 1000 kg-cm ² [lb-in ²] for standard package							
Stops	Motion Time [seconds]						
	1.23	1.65	2.17	2.50	2.75	3.37	3.74
2	[0] 0	[1926] 5636	[6208] 18167	[10388] 30399	[13740] 40209	[21944] 64217	[26735] 78237
3	[1811] 5300	[6814] 19940	[17561] 51390	[28054] 82097	[36466] 106714	[57057] 166971	[69084] 202167
4	[4396] 12864	[13172] 38546	[32028] 93727	[50439] 147605	[65198] 190795	[101324] 296514	[122426] 358267
6	[11290] 33039	[30132] 88178	[70615] 206647	[110143] 322322	[141829] 415048	[219391] 642025	[264696] 774605
8	[22185] 64922	[57289] 167650	[132712] 388368	[195668] 572602	[235249] 688432	1034294 [353436]	[436753] 1278112
12	146334 [50005]	366888 [125372]	[287302] 840760	1303461 [445415]	1674364 [572159]	2582270 [882406]	3038949 [1038461]
16	263112 [89910]	603493 [206224]	1039120 [355085]	1387320 [474071]	1667952 [569968]	2505914 [856314]	3038949 [1038461]
Reducer Ratio							
	40.19	54.07	70.95	81.98	89.89	110.18	122.48

Features

- KH127 Gear Reducer with Brake-motor
- Double Extended Camshaft (Input shaft)
- Center Thru Hole (Ø470 mm [Ø18.50 in])
- Cycle Cam and Limit Switch
- Right Hand Cam

Optional Accessories

- Left Hand Cam
- Relief in Dwell for Shot-Pin applications
- Dual Cam & limit Switch
- KH157 Gear Reducer with Brake-motor
- Stationary Center Post
- Visual Disk Dwell Indicator

Output Load Capacity (loads carried during index):

Radial	367423 N [82600 lbs]
Thrust/Axial	533786 N [120000 lbs]
Moment	328094 N-m [2904000 in-lbs]

Typical Application

Dial Diameter: 2997 mm to 5994 mm [118 in to 236 in]

Accuracy ±12 arcsec / ±0,043 mm [±.0017 in] at 762 mm [30in] Radius

Repeatability ±3 arcsec / ±0,010 mm [±.0004 in] at 762 mm [30in] Radius