

84A5-1 SERIES

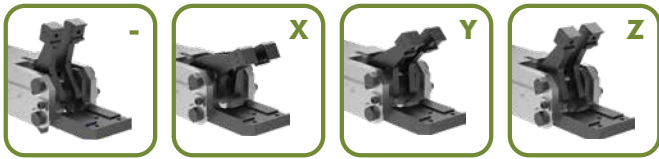
Cam Type Sheet Metal Grippers | Ordering Information

84A5 - 11 D5 A AA PA

Fixed Lower Jaw Opening Options

Description

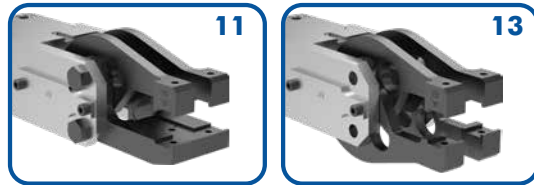
- 76° Jaw Opening (Standard)
- X 30° Jaw Opening
- Y 45° Jaw Opening
- Z 60° Jaw Opening



Jaw Arrangement Options

Description

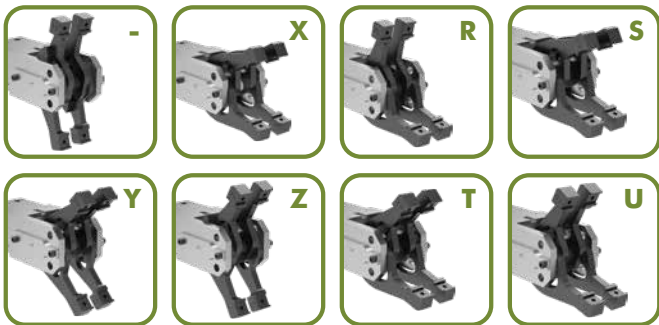
- 11 Double Upper, Single Lower, Straight Design
- 13 Double Upper and Lower, Straight Design



Moveable Lower Jaw Opening Options

Description

- 76° Jaw Opening (Symmetrical)
- X 30° Jaw Opening (Symmetrical)
- Y 45° Jaw Opening (Symmetrical)
- Z 60° Jaw Opening (Symmetrical)
- R 76° Upper/15° Lower Jaw
- S 30° Upper/15° Lower Jaw
- T 45° Upper/15° Lower Jaw
- U 60° Upper/15° Lower Jaw



Specifications	Unit	
Piston	mm	50
Actuation Time (open/close)	sec	0.6
Air Consumption per Double Stroke at 5 bar	L	0.66

Gripper Teeth and Points Options (Upper and Lower)

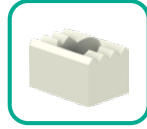
Steel Teeth

- 00** None
- AA** 8JZ-014-3



Plastic Teeth

- 00** None
- KA** 8JZ-021-1*



*Cannot be used with **A8** sensor option.

Steel Points (Upper only)

- 00** None
- PA** 8MJ-1001-1
- PB** 8MJ-1002-1
- PC** 8MJ-1003-1



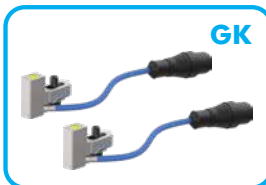
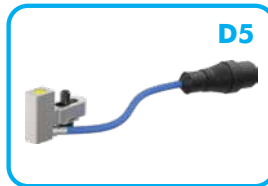
Shims for gripper teeth available
Order Separately **8SB-003-1**
Dimensions: 14,8 x 13 x 0,15 mm

Sensor Options

Description

- 00** None
- A8** Workpiece Control, Switching Distance 7mm
8EA-092-1 (for 84A5-11 only)*
- D5** Double Sheet Control, M12x1 Plug - 8EA-087-1
- GK** 2X **D5**
- GN** **A8** + **D5** (for 84A5-11 only)

*Cannot be used with **KA** plastic teeth option.



Shims for Sensor A8 available
Order Separately **8MB-003-1**

Mounting Options

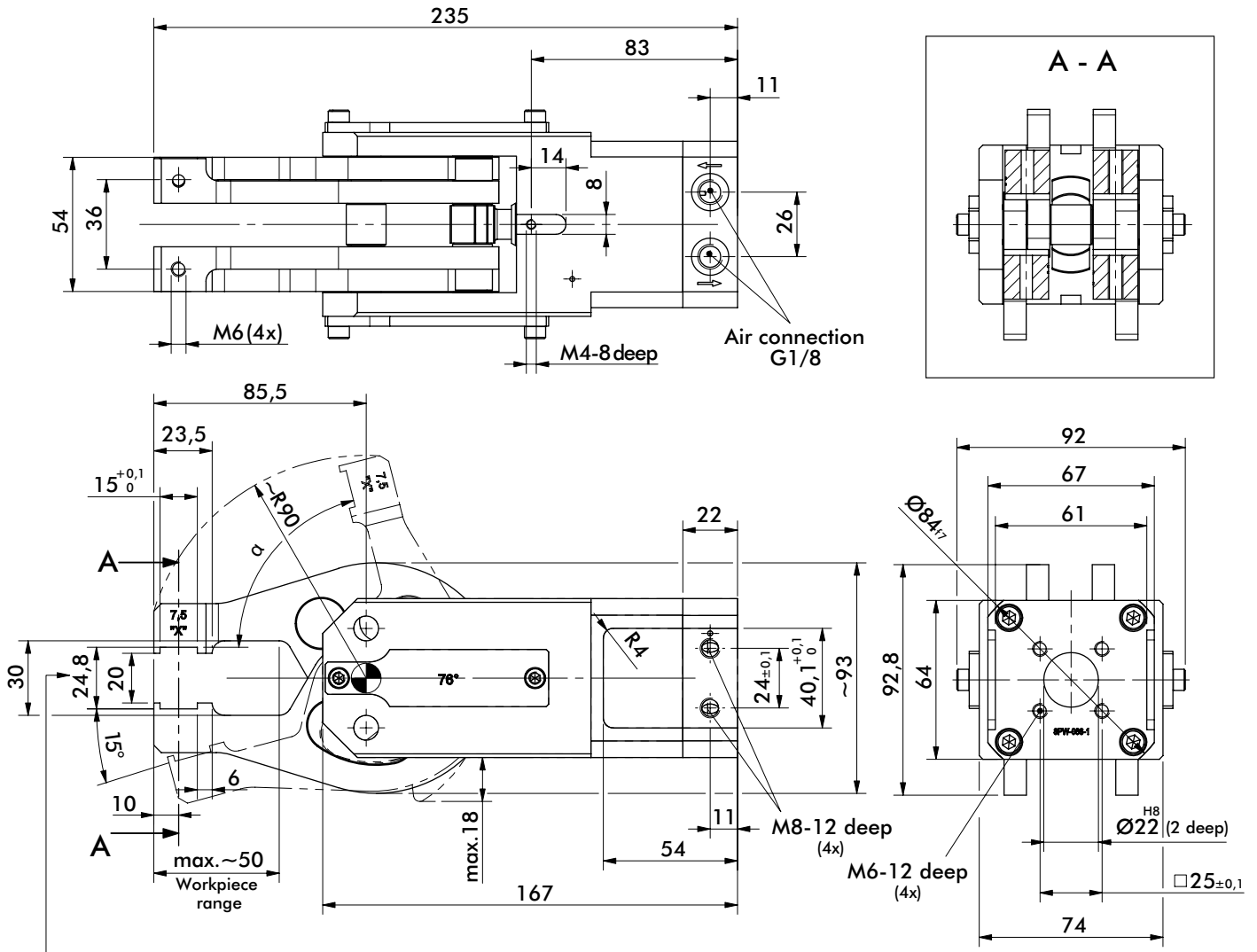
Description

- 0** None
- A** Rear Flange - 8MA-196-1



84A5.13 SERIES (DOUBLE 15° LOWER JAW)

Cam Type Sheet Metal Grippers | Dimensions and Technical Specifications



Addition of gripper teeth height and thickness of the clamped plate must be 24,8 mm. It might be necessary to use shim plates or to grind off the gripper teeth.

Medium air, max. 6 bar. Operation with oil-free air is permissible.

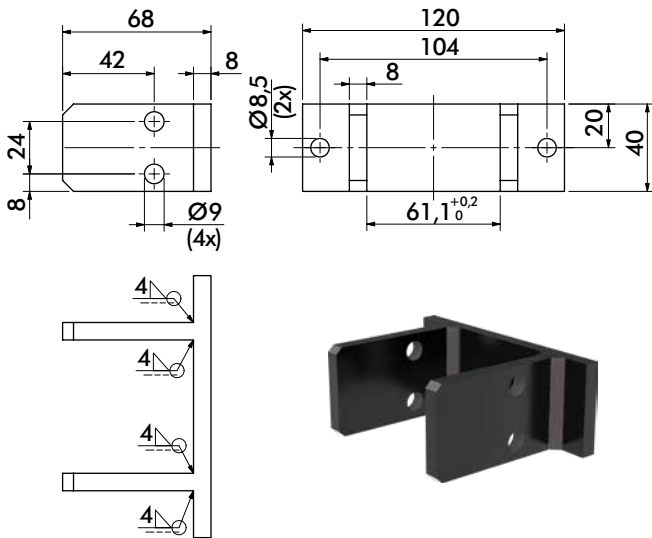
NOTE! Any extension of the moveable or fixed gripper jaws as well as the additional attachment of weights will void warranty.

Model 84A5.13	Opening Angle α Upper/Lower	Clamping force at 5 bar ~N [lbs]	Weight Kg [lbs]
R	76°/15°	1200 [270]	2,8 [6.17]
S	30°/15°		
T	45°/15°		
U	60°/15°		

84A5-1 SERIES ACCESSORIES

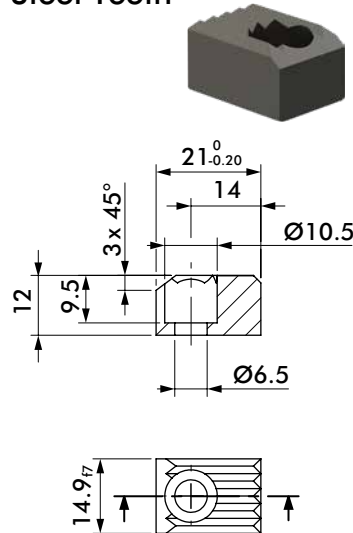
Cam Type Sheet Metal Grippers | Dimensions and Ordering Information

Mount



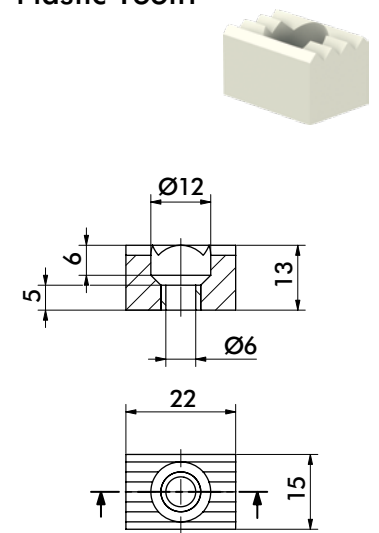
Mount	Part Number
Rear Flange	8MA-196-1

Steel Teeth



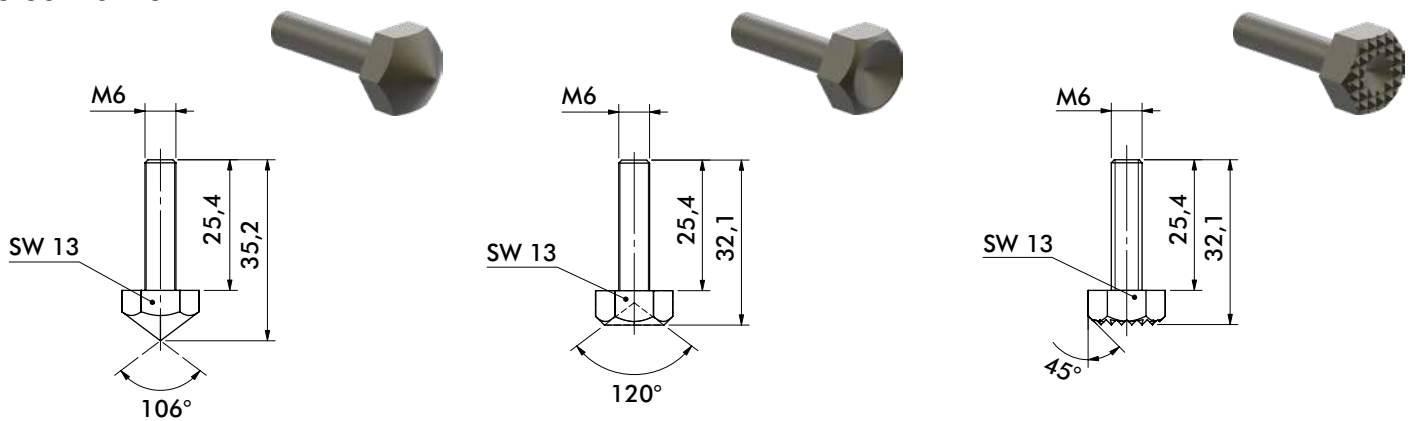
Steel Teeth	Part Number
Serrated	8JZ-014-3

Plastic Teeth



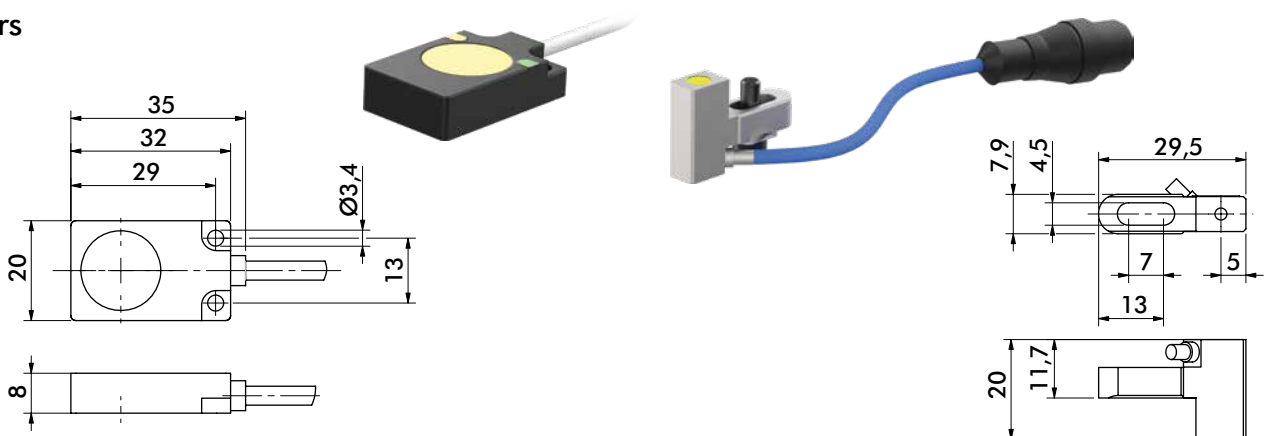
Plastic Teeth	Part Number
Serrated	8JZ-021-1

Steel Points



Steel Point	Part Number	Steel Point	Part Number	Steel Point	Part Number
Pointed	8MJ-1001-1	Flat	8MJ-1002-1	Serrated	8MJ-1003-1

Sensors



Workpiece Control Sensor	Part Number
7mm Sensing Distance, 2m Cable	8EA-092-1

Double Sheet Control Sensor	Part Number
1.5mm Sensing Distance	8EA-087-1