

# 84L3-2 SERIES

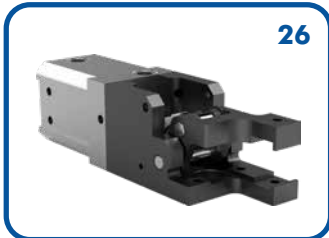
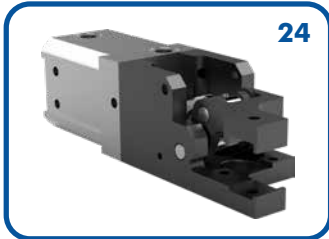
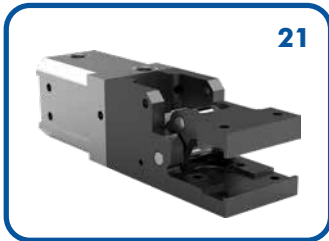
## Cam Type Sheet Metal Grippers | Ordering Information

84L3 - 26 A8 A (Lower) AG (Upper) PA

### Jaw Arrangement Options

**Description**

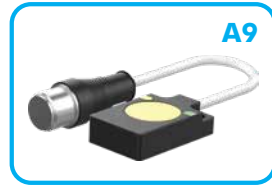
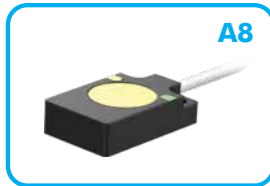
- 21** Double
- 24** Single, Right
- 26** Single, Left



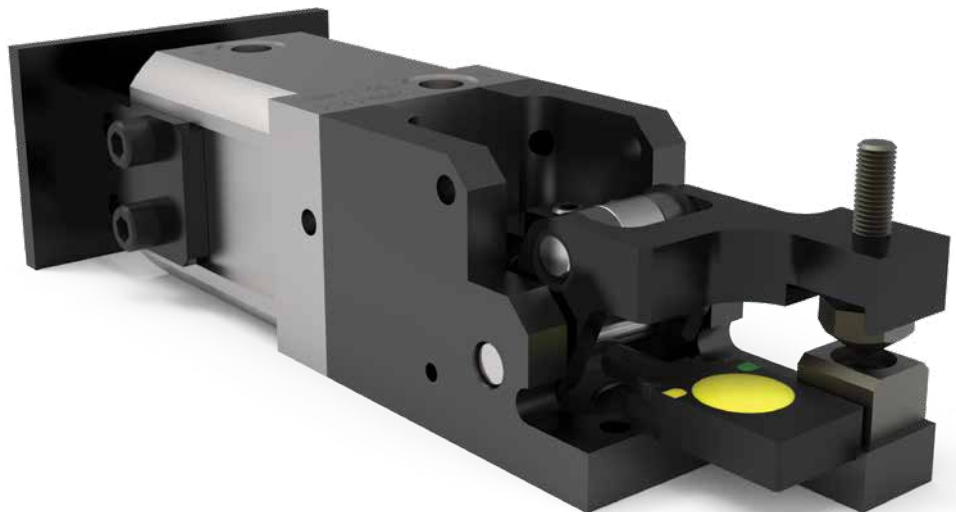
### Sensor Options

**Description**

- 00** None
- A8** Workpiece Control, Switching Distance 7mm  
8EA-092-1
- A9** Workpiece Control, Switching Distance 7mm,  
M12x1 Plug, 3 Pin - 8EA-092-2



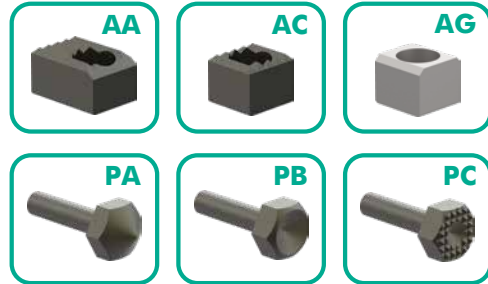
Shims for Sensor available  
Order Separately **8MB-003-1**



### Gripper Teeth and Points Options

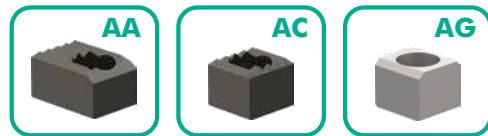
#### Upper Teeth Options

- 00** None
- AA** 14,9x21x12mm - 8JZ-014-3
- AC** 14,9x14x12mm - 8JZ-043-1
- AG** 14,9x14x12mm - 8JZ-050-1
- PA** 8MJ-1001-1
- PB** 8MJ-1002-1
- PC** 8MJ-1003-1



#### Lower Teeth Options

- 00** None
- AA** 14,9x21x12mm - 8JZ-014-3
- AC** 14,9x14x12mm - 8JZ-043-1
- AG** 14,9x14x12mm - 8JZ-050-1

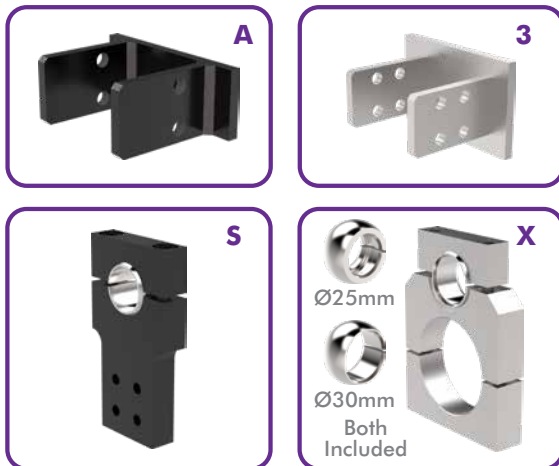


Shims for gripper teeth available  
Order Separately **8SB-003-1**  
Dimensions: 14,8 x 13 x 0,15 mm

### Mounting Options

#### Description

- 0** None
- A** Rear Flange - 8MA-006-1
- 3** Rear Flange - 8MA-273-1
- S** Rear Swivel Ball - 82ZB-007-1
- X** On-Body Swivel Ball - 82ZB-033-2

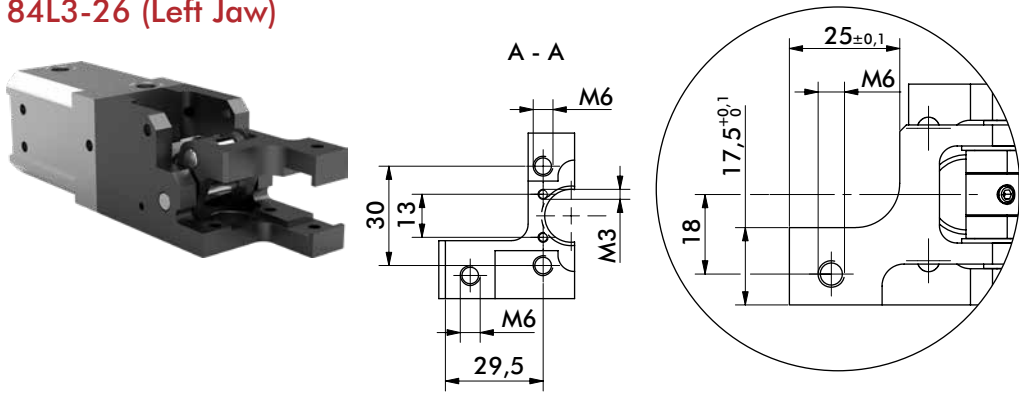




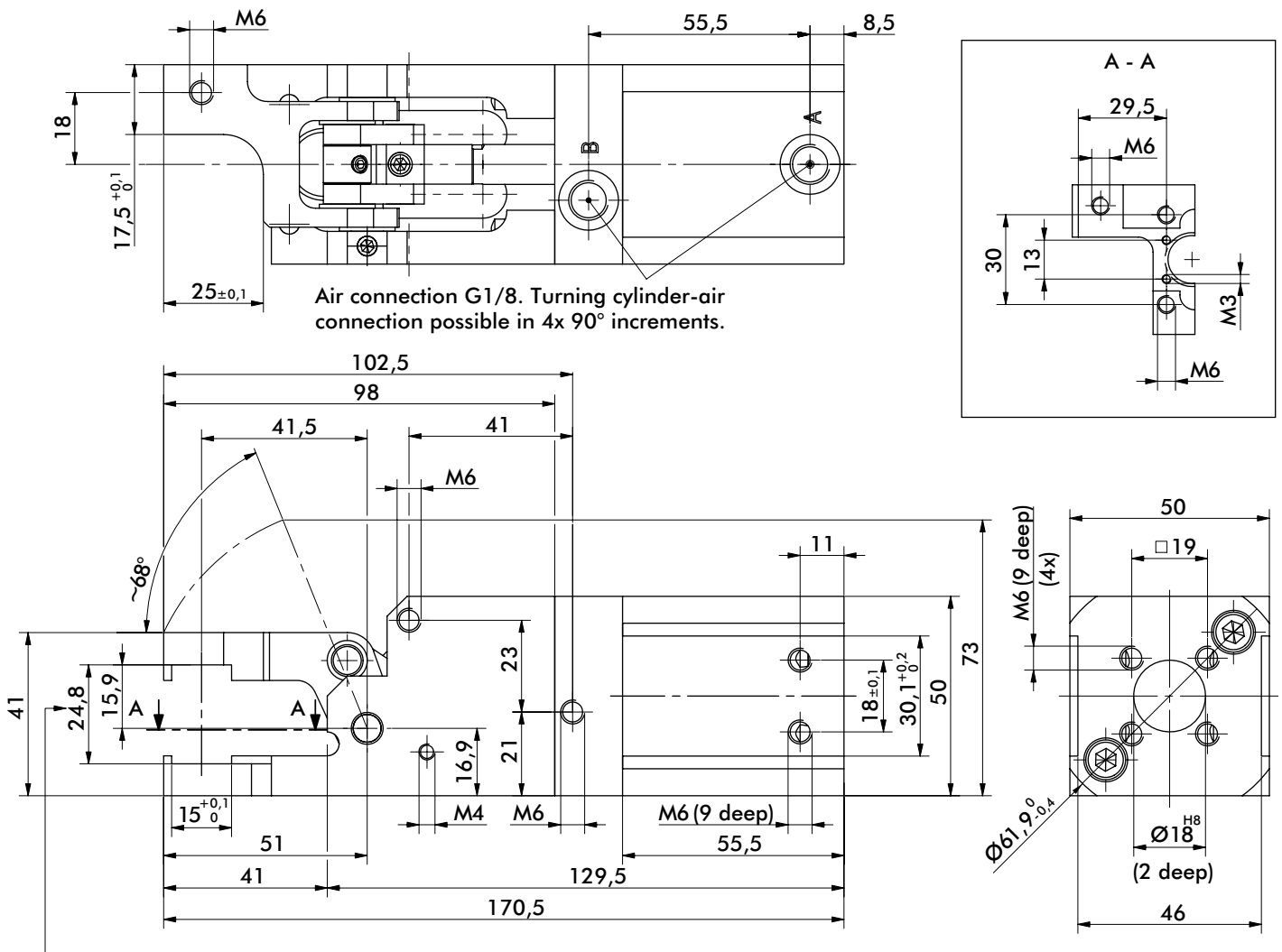
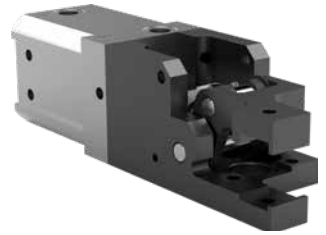
# 84L3-24/84L3-26 SERIES

## Cam Type Sheet Metal Grippers | Dimensions and Technical Specifications

### 84L3-26 (Left Jaw)



### 84L3-24 (Right Jaw)



Addition of gripper teeth height and thickness of the clamped plate must be 24,8 mm. It might be necessary to use shim plates or to grind off the gripper teeth.

Medium air, max. 6 bar. Operation with oil-free air is permissible.

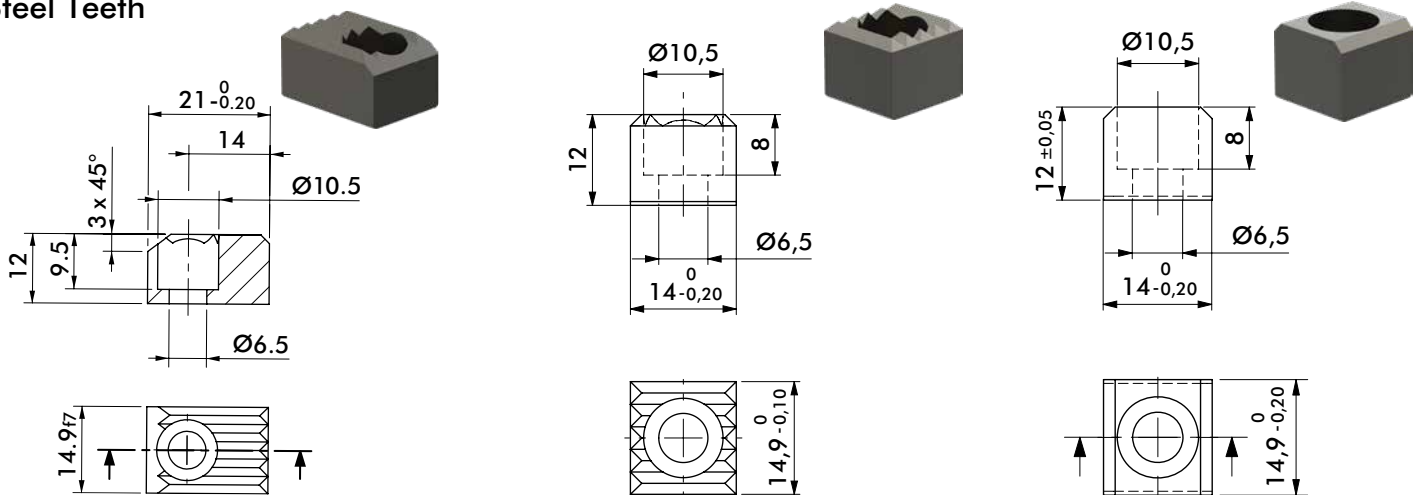
NOTE! Any extension of the moveable or fixed gripper jaws as well as the additional attachment of weights will void warranty.

Model	Clamping Force at 5 bar ~N [lbs]	Piston mm [in.]	Air Consumption per Double Stroke at 5 bar [L]	Weight Kg [lbs]	Acuation Time Open/Close Sec.
84L3-24/84L3-26	135 [30.3]	32 [1.26]	0,3	0,75 [1.65]	0.2

# 84L3 SERIES ACCESSORIES

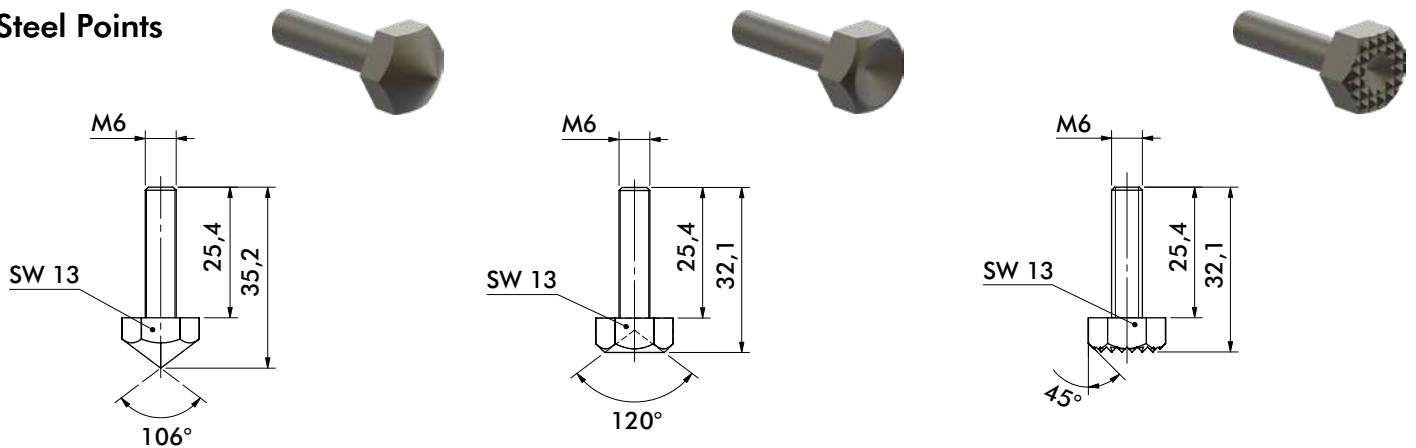
## Cam Type Sheet Metal Grippers | Dimensions and Ordering Information

### Steel Teeth



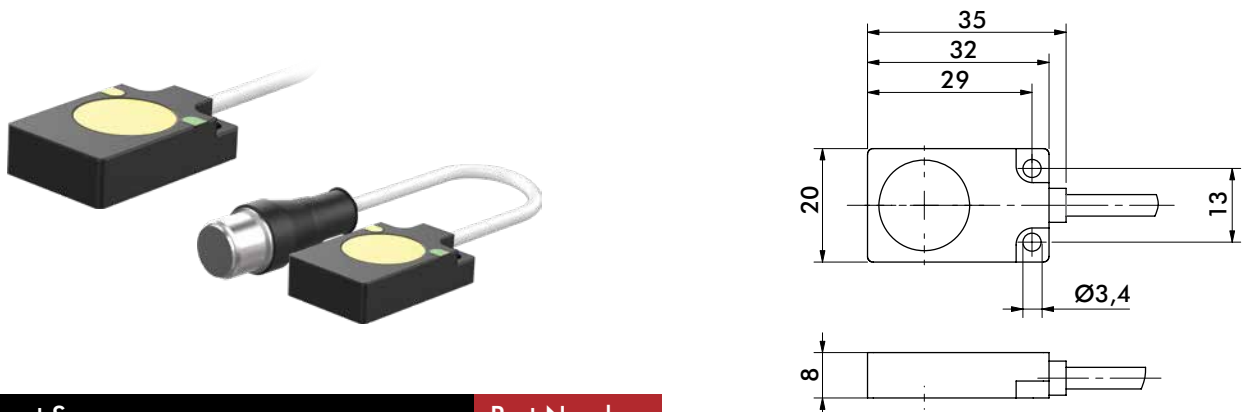
Steel Teeth	Part Number	Steel Teeth	Part Number	Steel Teeth	Part Number
Serrated	<b>8JZ-014-3</b>	Serrated	<b>8JZ-043-1</b>	Flat	<b>8JZ-050-1</b>

### Steel Points



Steel Point	Part Number	Steel Point	Part Number	Steel Point	Part Number
Pointed	<b>8MJ-1001-1</b>	Flat	<b>8MJ-1002-1</b>	Serrated	<b>8MJ-1003-1</b>

### Sensors

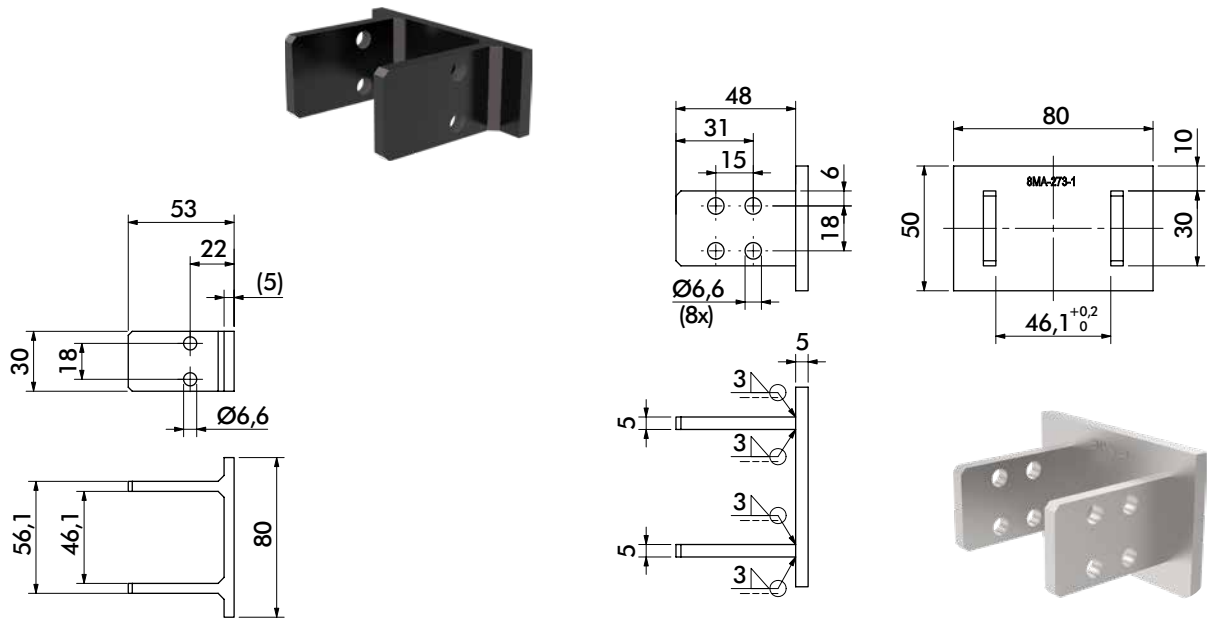


Part Present Sensor	Part Number
Switching Distance 7mm	<b>8EA-092-1</b>
Switching Distance 7mm, M12x1 Plug, 3 Pin	<b>8EA-092-2</b>

# 84L3 ACCESSORIES

## Cam Type Sheet Metal Grippers | Dimensions and Ordering Information

### Mounts



Mount

Part Number

Rear Flange

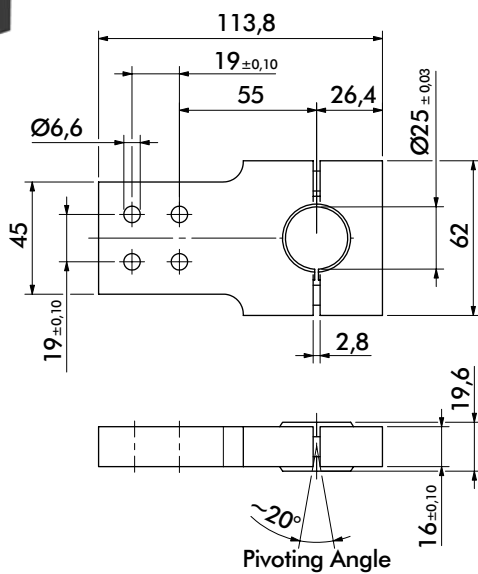
**8MA-006-1**

Mount

Part Number

Rear Flange

**8MA-273-1**

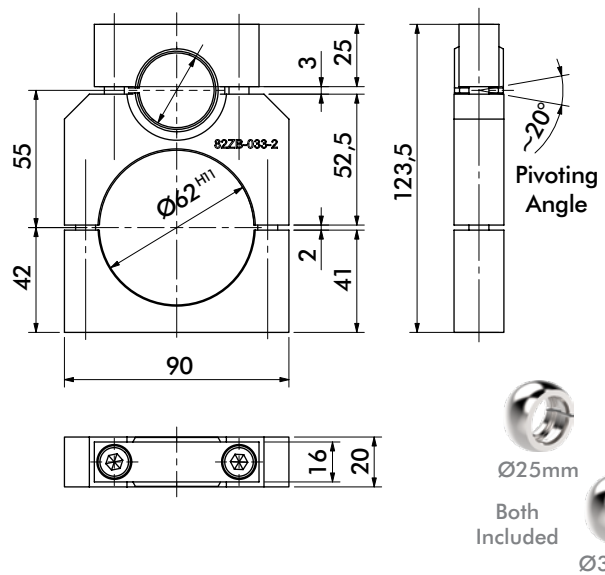


Mount

Part Number

Rear Swivel Ball

**82ZB-007-1**



Mount

Part Number

On-Body Swivel Ball

**82ZB-033-2**