

84N5 SERIES

Accelerate® Press Shop Sheet Metal Grippers | Ordering Information

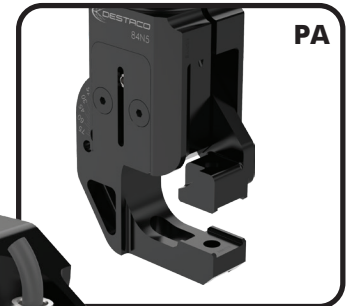
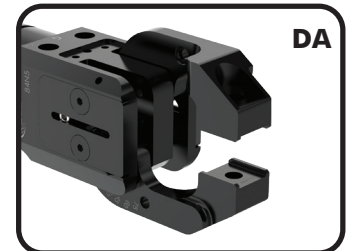
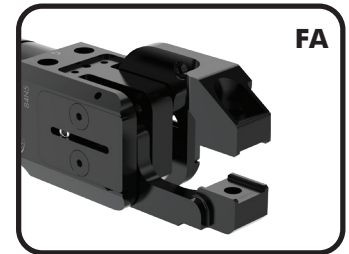


Ports	Description
N	1/8 NPT
G	1/8 BSPP

Opening Angle	Description
075	75° Opening Angle
ADJ	15° to 75° Adjustable Opening Angle



Jaw Type and Style	Description
FA	Straight Fixed Lower Jaw
DA	Straight Double Open Jaws
PA	90° Jaw Configuration

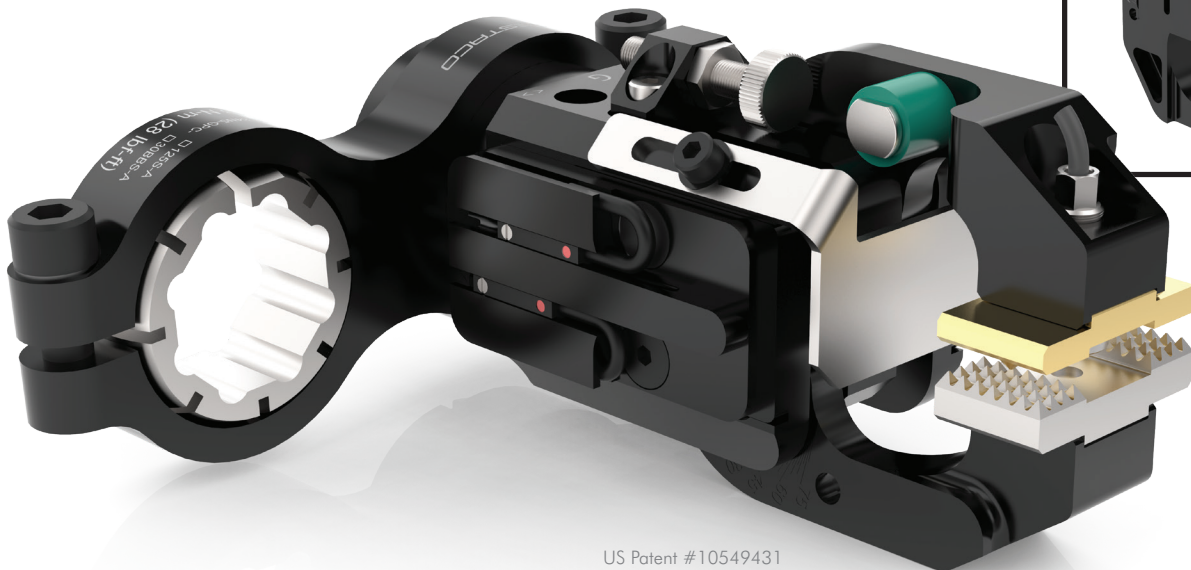


Specifications:

See page 20 for technical specifications.

Mounting options are ordered separately:

Please refer to mounting options on page SG-PRG-22 to 23 for mounting style and part numbers.



US Patent # 10549431

In-Jaw Blank Sensing*

Description
0 None
P PNP
N NPN

*In-jaw blank sensing not available with Single Cone Style Tip.



Sheet Stop

Description
0 No Sheet Stop (PA option only)
1 Sheet Stop required (FA, DA options)



Jaw Tip Insert Options

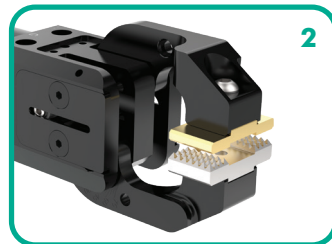
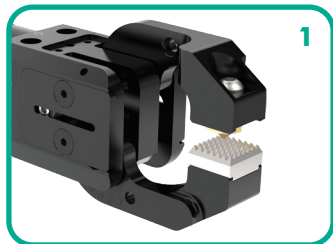
0000 None

- or -

Step 1 - Tip Type Choose One

2 C S 3

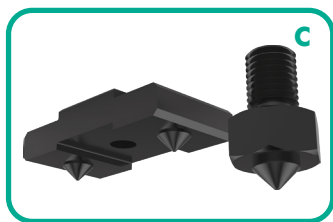
- 1 Single Tip
- 2 Double Tip



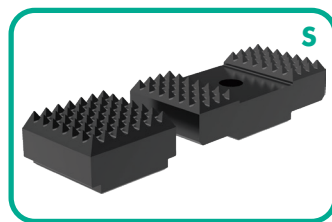
Step 2 - Upper Jaw Tip Insert Choose One (see images below)

2 C S 3

- C Cone Style (Single Cone [1Cxx] not compatible with In-Jaw Sensor)
- S Serrated Style



Single or Double Cone Tip (not available for lower jaw)



Single or Double Serrated Tip

Step 3 - Lower Jaw Tip Insert Serrated Only

2 C S 3

- S Serrated Style Only (Cone-to-Cone option not available)

Left Side 2-Point Sensing

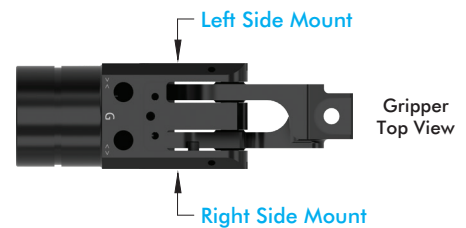
Description
0 None
1 Dual Magneto-Resistive PNP Sensors Left Side
2 Dual Magneto-Resistive NPN Sensors Left Side

Right Side 2-Point Sensing

Description
0 None
1 Dual Magneto-Resistive PNP Sensors Right Side
2 Dual Magneto-Resistive NPN Sensors Right Side



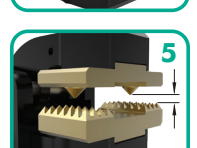
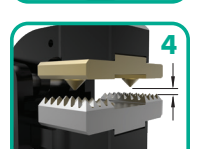
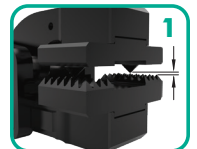
Side mount sensing detects gripper jaw position and can be adjusted at any point along the jaw travel. The sensors can be adjusted to sense blank, double, full open, and full closed. Use the in-jaw option to verify material between the jaws.



Step 4 - Part Thickness Range Choose One

2 C S 4

- 1 0.4 to 1.0 mm Black-Black
- 2 1.0 to 1.6 mm Silver-Black
- 3 1.6 to 2.2 mm Silver-Silver
- 4 2.2 to 2.8 mm Gold-Silver
- 5 2.8 to 3.4 mm Gold-Gold

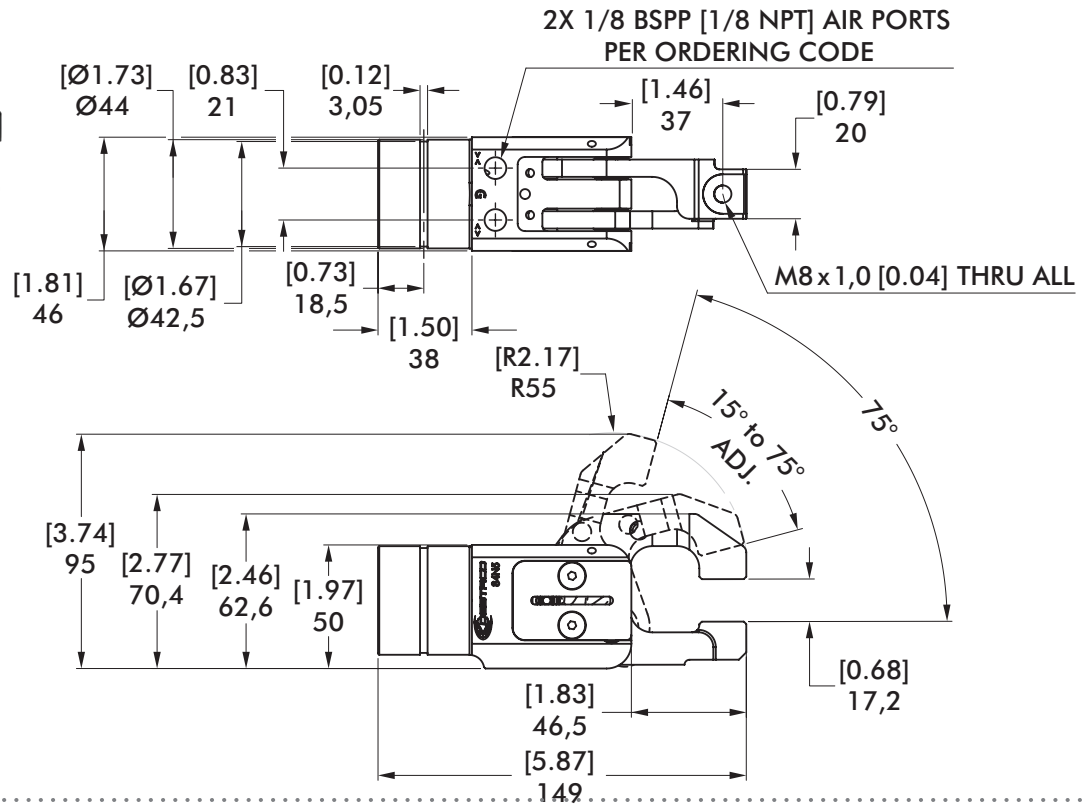


Customer is responsible for final adjustments and tightening of all accessory mounting screws.

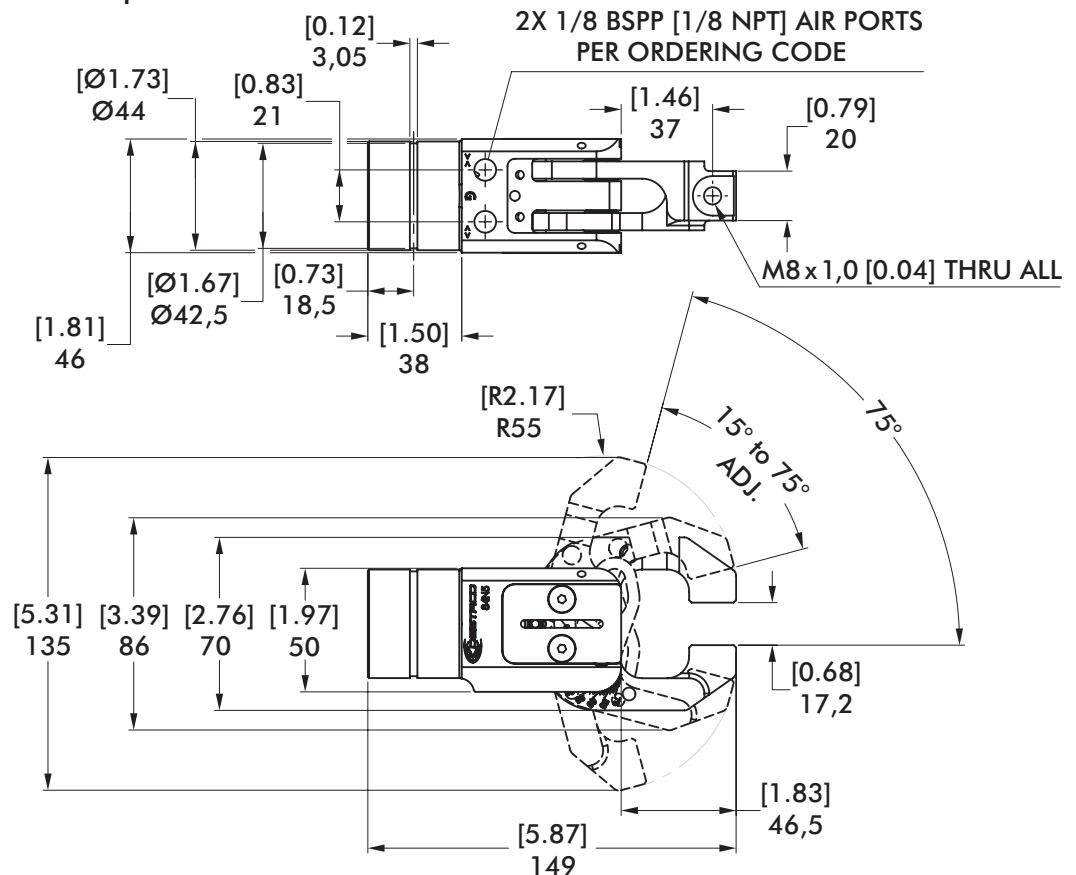
84N5 SERIES

Accelerate® Press Shop Sheet Metal Grippers | Dimensions

FA Option: Straight Fixed Lower Jaw



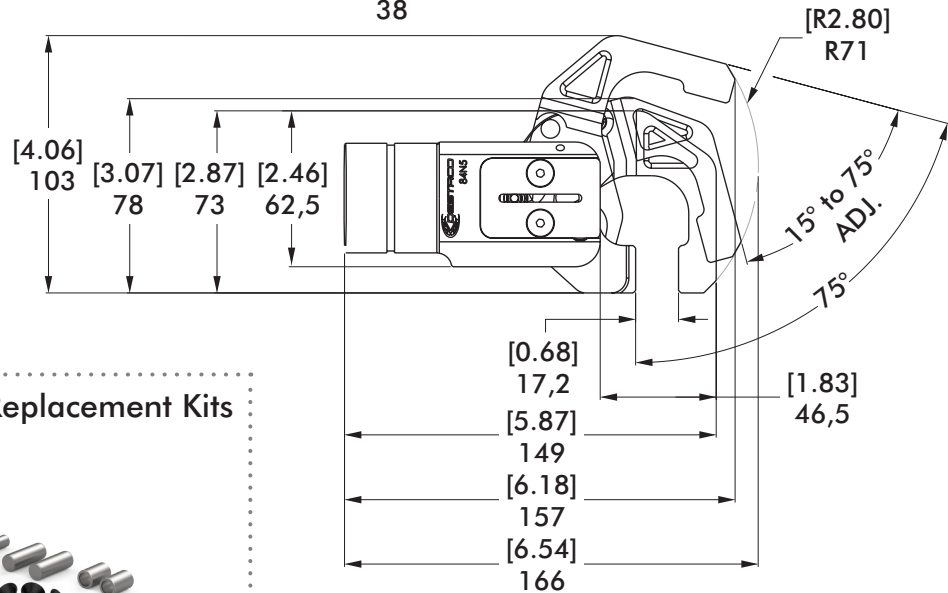
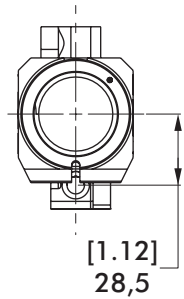
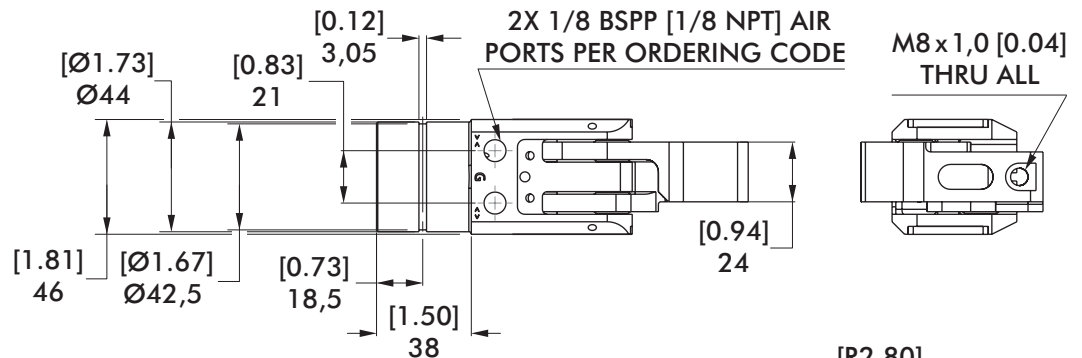
DA Option: Straight Double Open Jaws



84N5 SERIES

Accelerate® Press Shop Sheet Metal Grippers | Dimensions and Specifications

PA Option: 90° Straight Fixed Lower Jaw



Jaw Replacement Kits



Jaw Type	Part Number
Straight Fixed Lower Jaw	84N5-FA-KIT



Jaw Type	Part Number
Straight Double Open Jaws	84N5-DA-KIT



Jaw Type	Part Number
90° Straight Fixed Lower Jaw	84N5-PA-KIT

All kits include 2 jaws, 2 pivot pins, 2 cam follower bushings, 1 cam follower and 4 flat head cap screws.

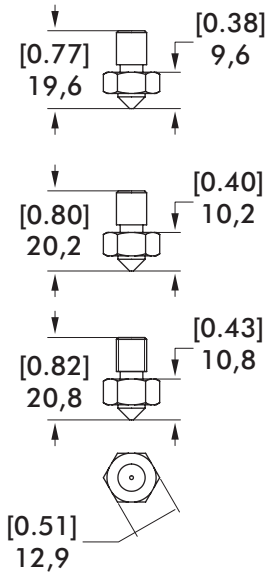
Specifications

Specification	Unit	84N5
Grip Force at 5 bar	N [lbs]	up to 1200 [270]
Weight (FA Option, No Tips)	Kg [lb]	0,68 [1.50]
Size L x W x H (open)	mm [in]	149 x 46 x 95 [5.87] x [1.81] x [3.74]
Actuation Time	ms	70
Min. Operating Pressure	bar [psi]	4 [58]
Opening Angles		75°, ADJ (15°-75°)
Piston Ø	mm [in]	32 [1.26]
Air Consumption/Cycle	L [in ³]	0,036 [2.20]
Temperature Range	C° [F°]	-35° to 80° [-31° to 176]

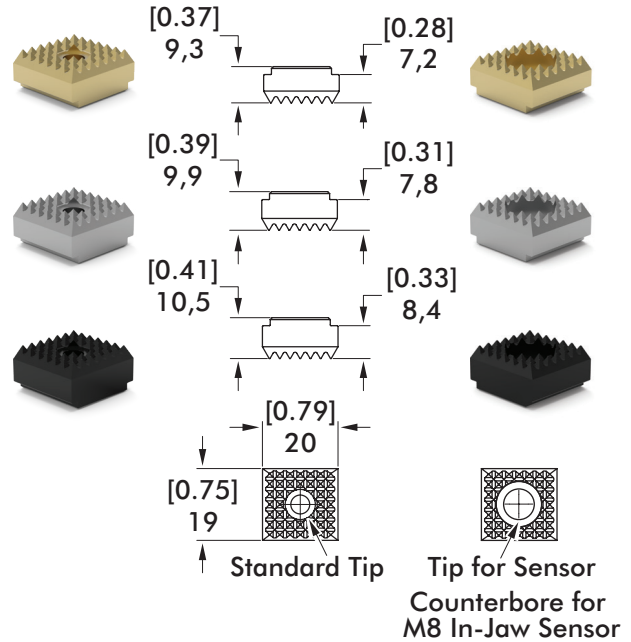
84N5 TIPS

Accelerate® Press Shop Sheet Metal Grippers | Dimensions and Ordering Information

Single Tips

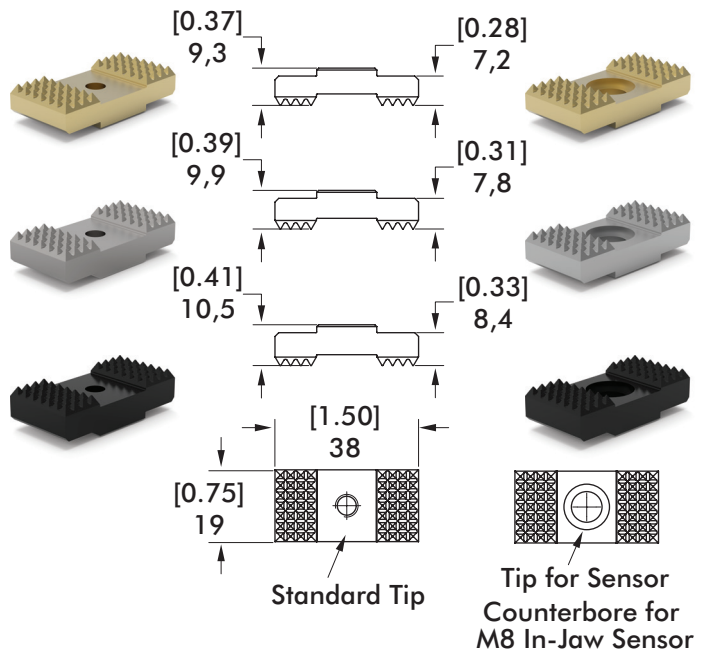
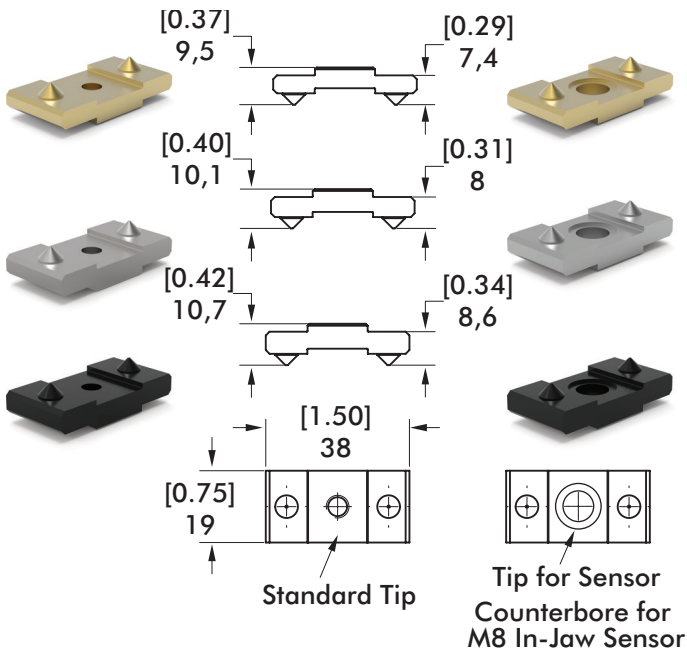


Single Cone	Part #
Gold	8JD-1013-1
Silver	8JD-1012-1
Black	8JD-1011-1



Single Serrated	Standard Tip	Tip for Sensor
Gold	8JD-1019-1	8JD-1028-1
Silver	8JD-1018-1	8JD-1027-1
Black	8JD-1017-1	8JD-1026-1

Double Tips



Double Cone	Standard Tip	Tip for Sensor
Gold	8JD-1016-1	8JD-1025-1
Silver	8JD-1015-1	8JD-1024-1
Black	8JD-1014-1	8JD-1023-1

Double Serrated	Standard Tip	Tip for Sensor
Gold	8JD-1022-1	8JD-1036-1
Silver	8JD-1021-1	8JD-1035-1
Black	8JD-1020-1	8JD-1034-1

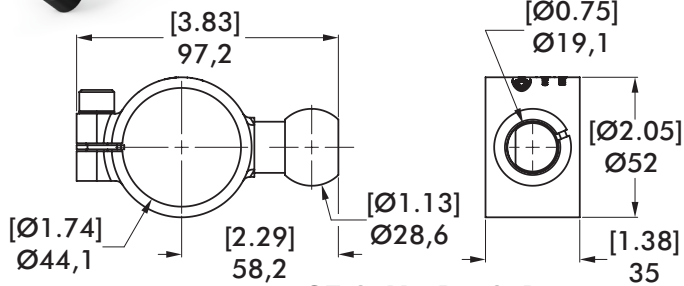
84N5 MOUNTS

Accelerate® Press Shop Sheet Metal Grippers | Dimensions and Ordering Information

Side Ball and Apple Core Gripper Mounts



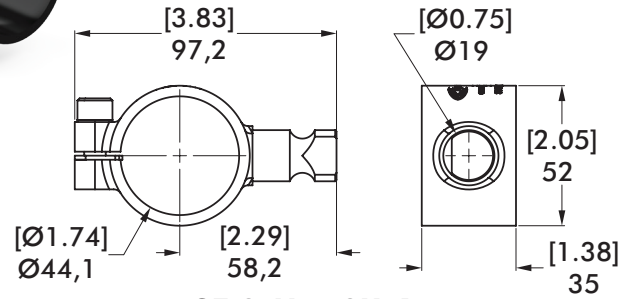
Side Ball



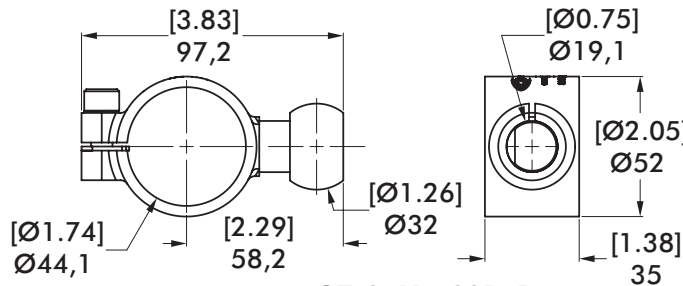
GT-84N5-B112-A



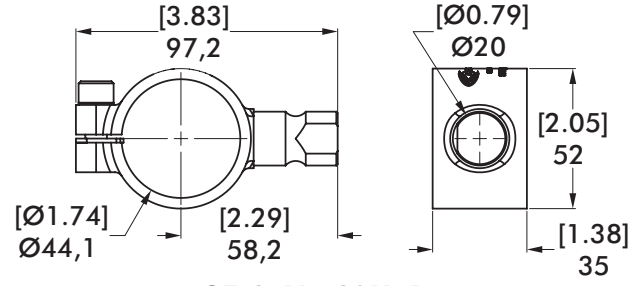
Apple Core



GT-84N5-19M-A

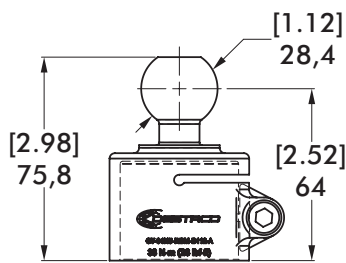


GT-84N5-32B-A

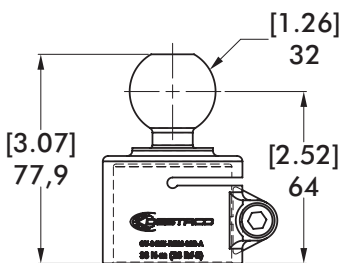


GT-84N5-20M-A

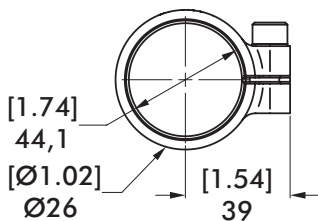
Rear Ball and Flange Gripper Mounts



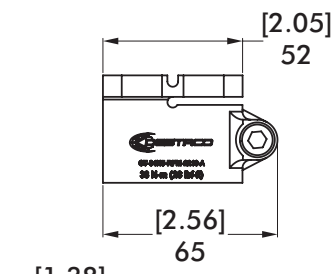
GT-84N5-RBM-B112-A



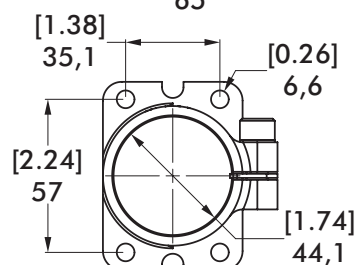
GT-84N5-RBM-32B-A



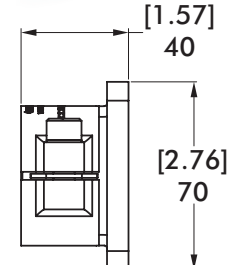
Rear Ball



Rear Flange



GT-84N5-RFM-2213-A



Side Ball and Apple Core

Part Number

1.125 in. (28.5mm) Side Ball
32mm Side Ball
19mm Applecore
20mm Applecore

GT-84N5-B112-A
GT-84N5-32B-A
GT-84N5-19M-A
GT-84N5-20M-A

Rear Ball and Flange

Part Number

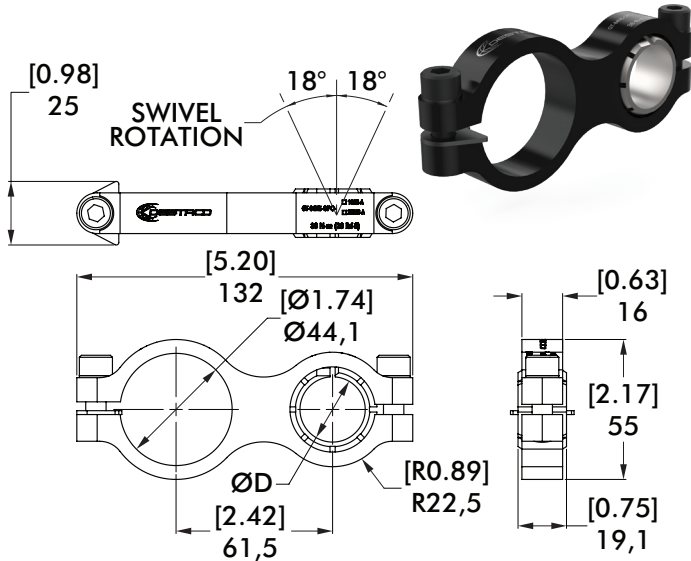
1.125 in. (28.5mm) Rear Ball
32mm Rear Ball
Rear Flange

GT-84N5-RBM-B112-A
GT-84N5-RBM-32B-A
GT-84N5-RFM-2213-A

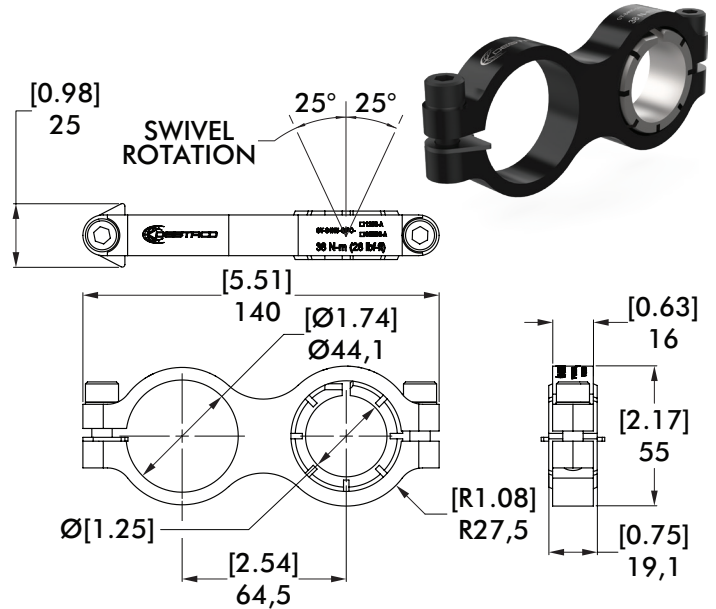
84N5 MOUNTS

Accelerate® Press Shop Sheet Metal Grippers | Dimensions and Ordering Information

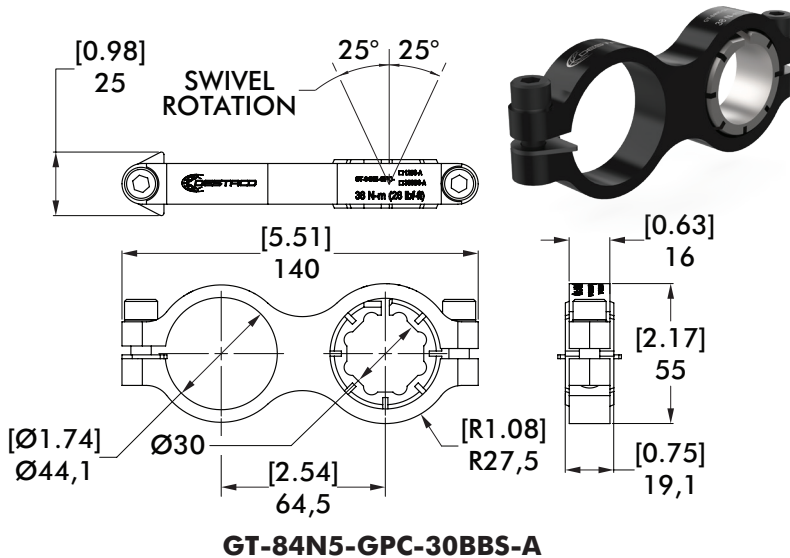
Parallel Swivel Gripper Mount



ØD= 1.00 in. **GT-84N5-GPC-100S-A**
ØD= 25mm. **GT-84N5-GPC-25MS-A**



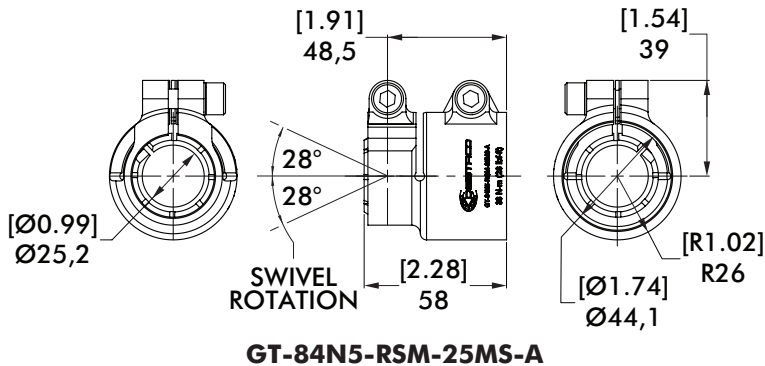
GT-84N5-GPC-125S-A



GT-84N5-GPC-30BBS-A

Parallel Swivel Mounts	Part Number
1" Swivel Mount	GT-84N5-GPC-100S-A
1-1/4" Swivel Mount	GT-84N5-GPC-125S-A
25mm Swivel Mount	GT-84N5-GPC-25MS-A
30mm Body Builder Swivel Mount	GT-84N5-GPC-30BBS-A

Rear Clamp Swivel Mount



GT-84N5-RSM-25MS-A

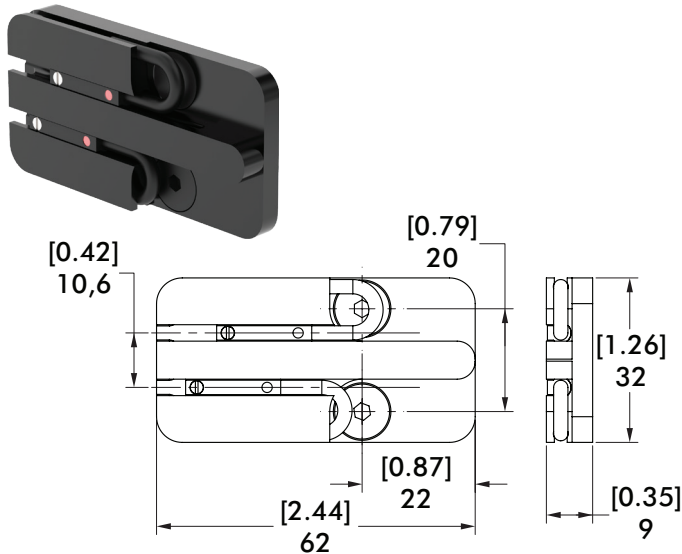


Rear Swivel Mount	Part Number
25mm Swivel Mount	GT-84N5-RSM-25MS-A

84N5 MOUNTS

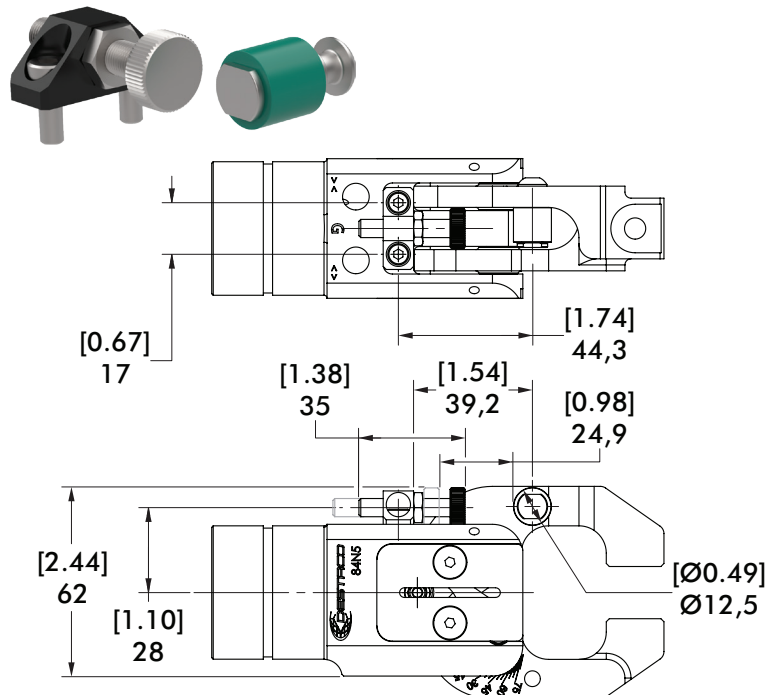
Accelerate® Press Shop Sheet Metal Grippers | Dimensions and Ordering Information

2-Point Side Mount Sensing



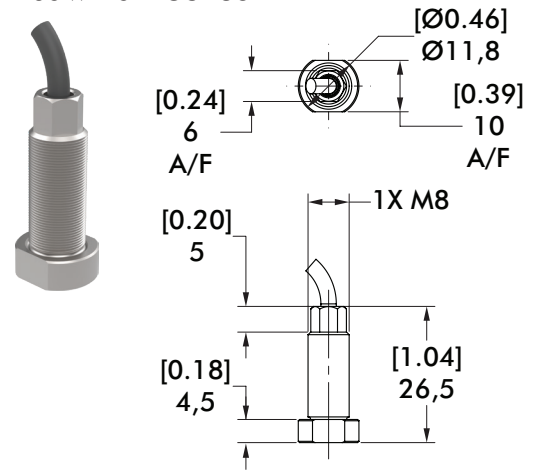
Description	Part Number
PNP Magneto-Resistive Sensor Kit (Incl. 2 Sensors)	8EA-1052-1
NPN Magneto-Resistive Sensor Kit (Incl. 2 Sensors)	8EA-1053-1
4mm PNP Magneto-Resistive Sensor only (Qty. 1)	OHSP-017
4mm NPN Magneto-Resistive Sensor only (Qty. 1)	OHSN-017

Opening Angle Adjustment Kit



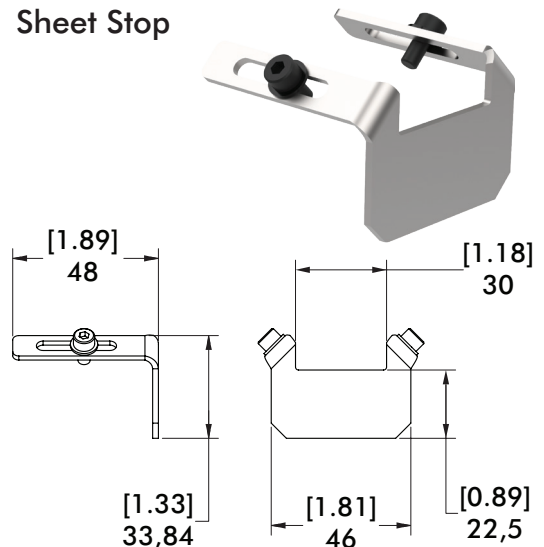
Description	Part Number
84N5 Opening Angle Adjustment Kit	8MH-1052-1
Includes mounting screws. Can be easily added in the field to any 84N5 gripper.	

In-Jaw Part Sensor



Description	Part Number
PNP Inductive In-Jaw Sensor	8EA-1033-1
NPN Inductive In-Jaw Sensor	8EA-1034-1

Sheet Stop



Description	Part Number
84N5 Sheet Stop Kit	8MH-1053-1
Includes sheet stop and socket head cap mounting screws.	

Seal Kit



Description	Part Number
84N5 Seal Kit	SLKT-479
Includes shock pad, rod u-cup seal, o-ring cap, piston seal and retainer ring.	